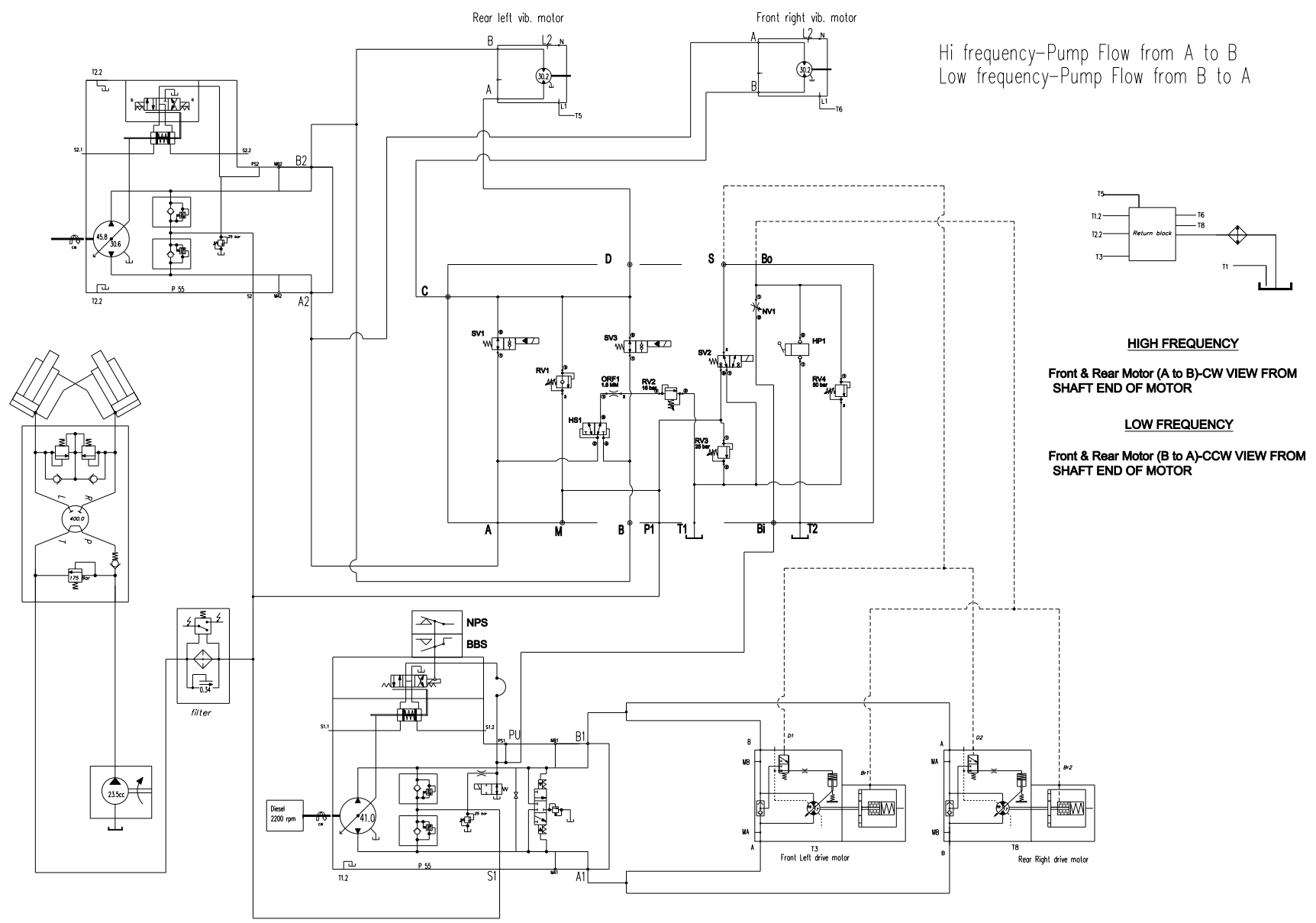


Rev.	Fls	CDN No.	Date	Issued by	Approved by
A	0	MHN170019	170207	IN/MS	IN/SB



The information on this drawing is the property of Dynapac. It is to be used for manufacturing purposes only.

	Drawn by: IN/MS Checked by: RE Date: 170202	Approved by: IN/SB Date: 170202	Material Designation: Hydraulic diagram	Part No: CC425 NTS 4812106204
--	---	------------------------------------	--	--