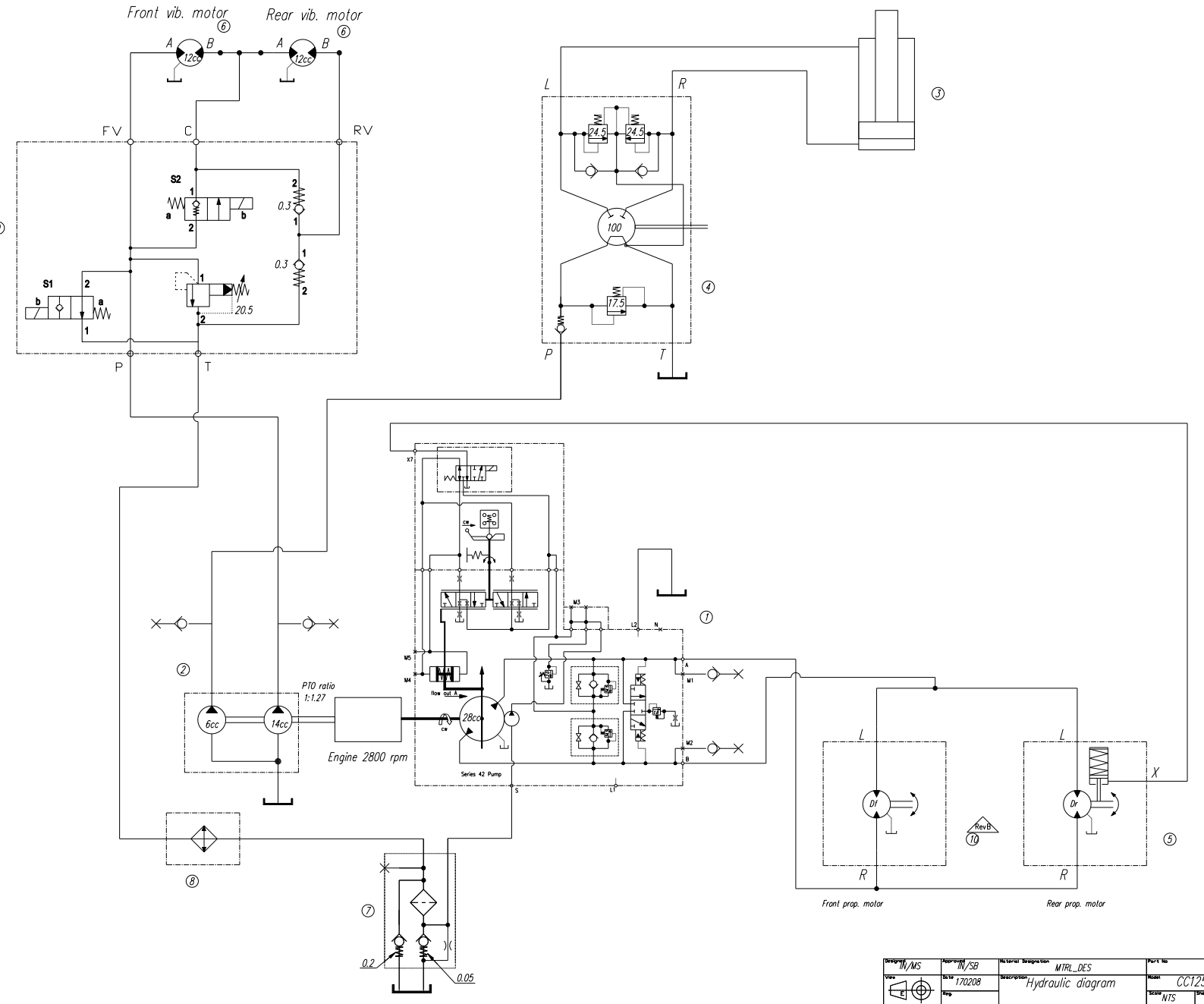


Rev.	3	CD No.	2	Issued by	1
1	1	MH/N17009	170208	IN/MS	IN/SB

Sl.no.	Description	Qty
1	Propulsion pump	1
2	Vibration & steering pump	1
3	Steering cylinders	1
4	Steering valve	1
5	Drum motor	1
6	Vibration motor	2
7	Hydraulic filter	1
8	Oil cooler	1
9	Vibration block	1
10	Drive motor	1



*Pressure values are in Mpa

Issue	IN/MS	Approved	IN/SB	Material Designation	MTRL_DES	Part No.	
Ver.	1	Date	170208	Description	Hydraulic diagram	Model	CC125
						Serial	N/S
						Rev.	B
						Part No.	4812107420
						Sheet	1/1
						Rev.	10