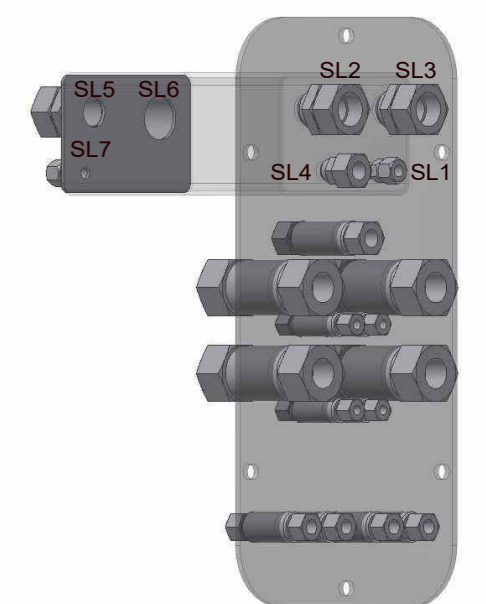
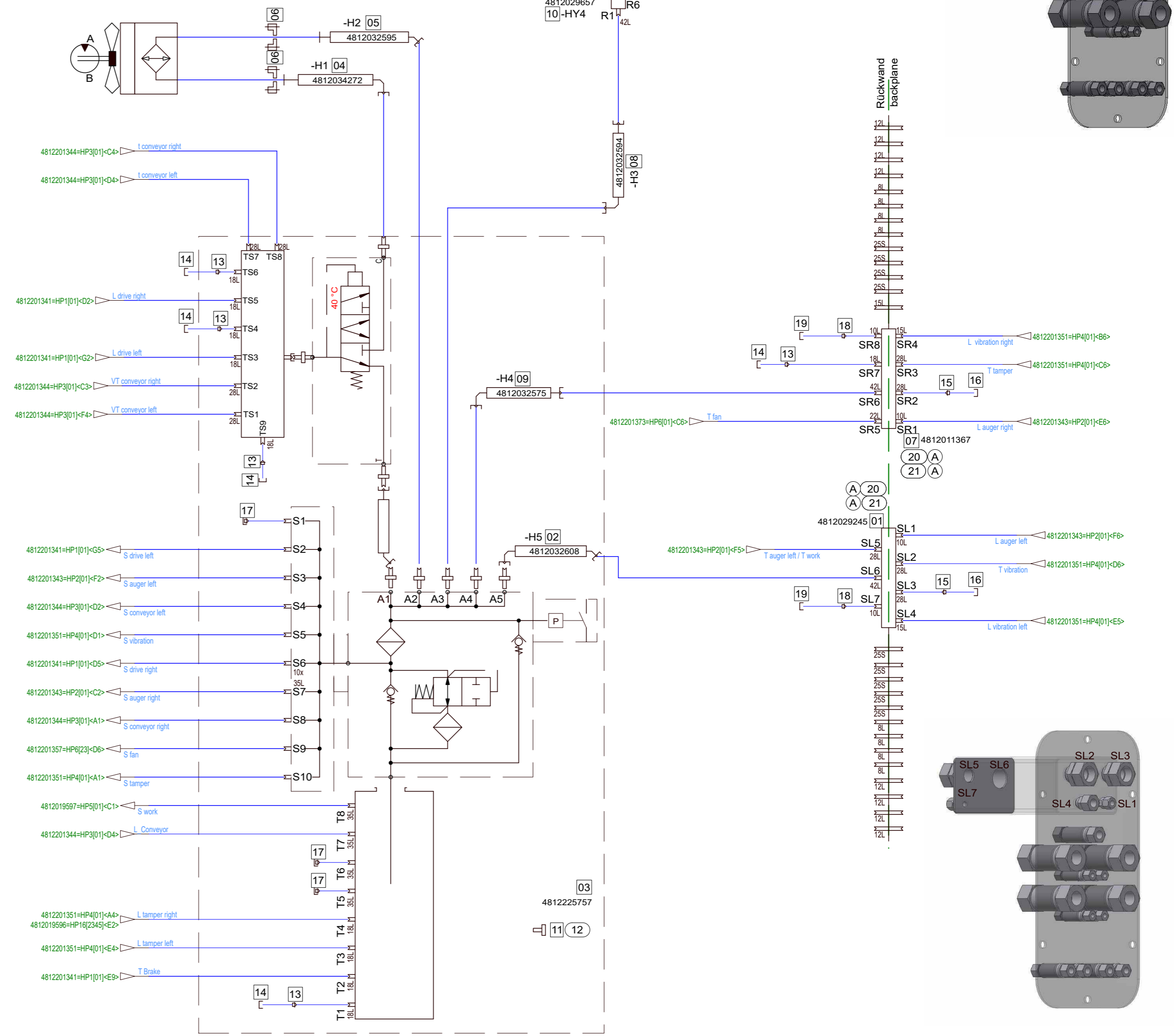
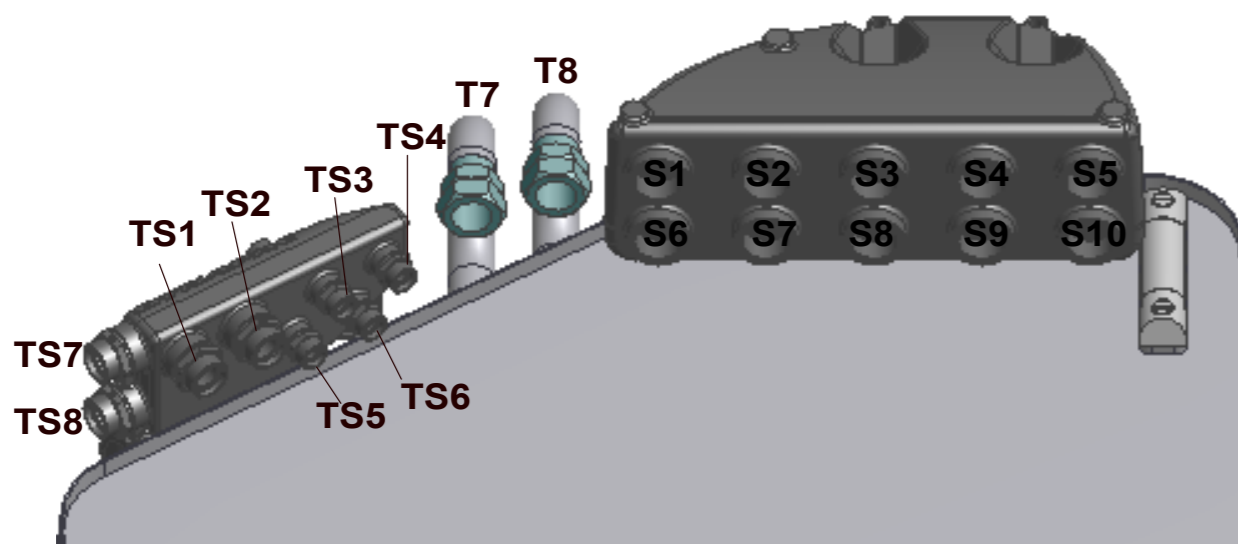
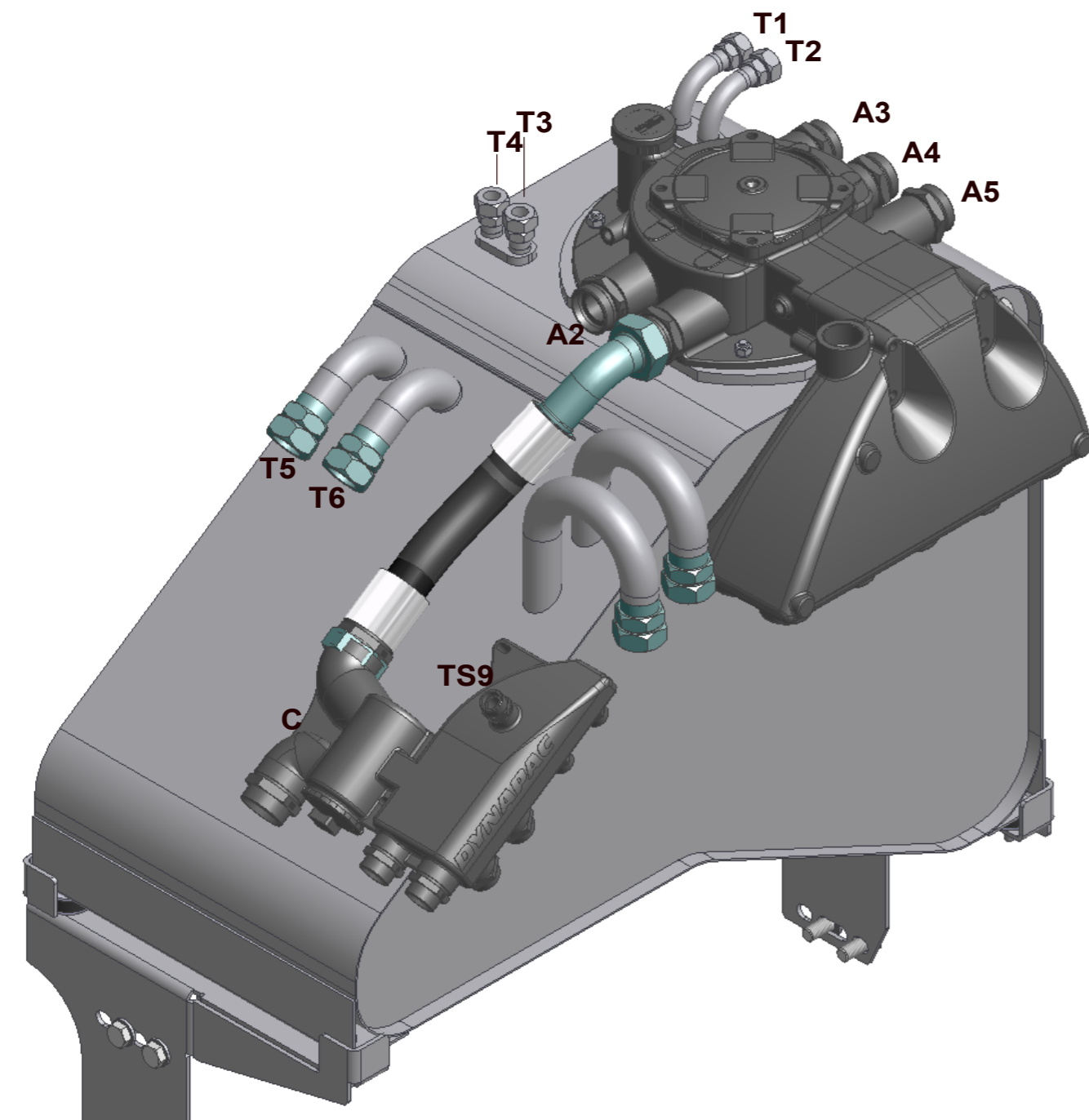
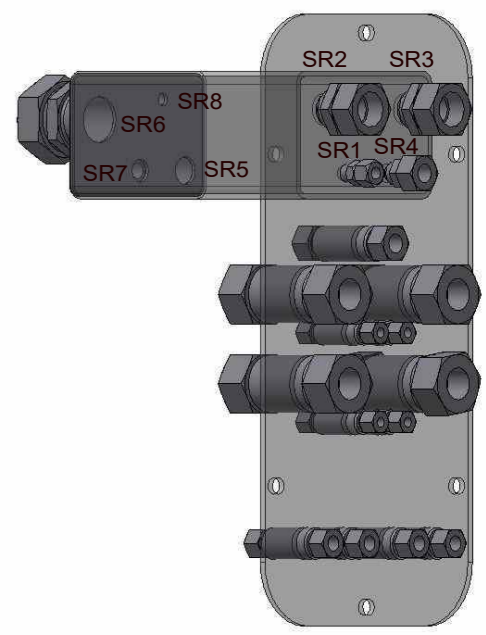
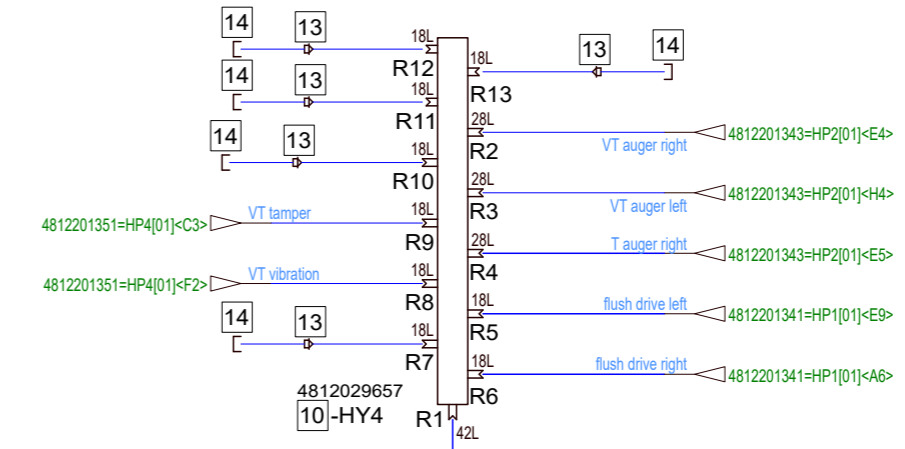
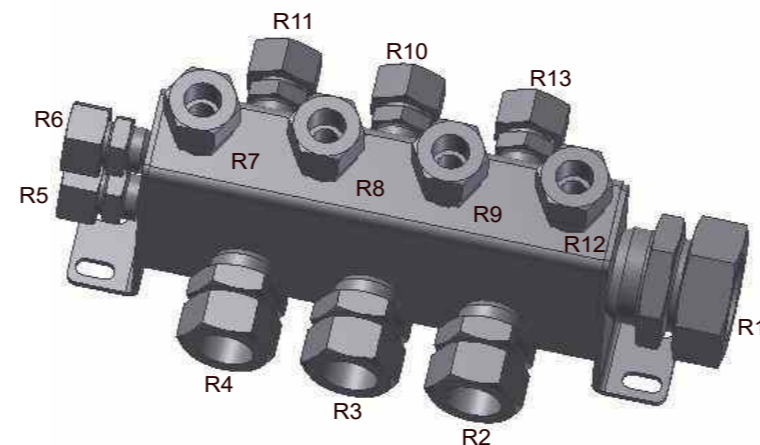
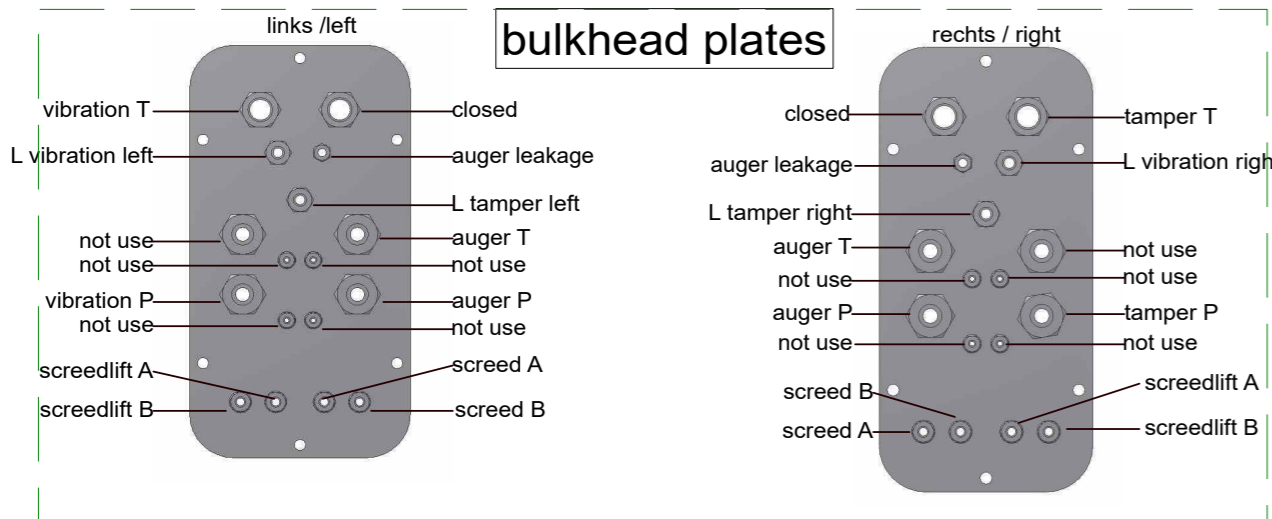
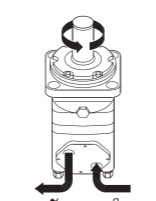
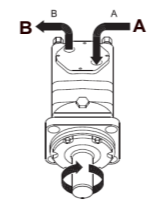
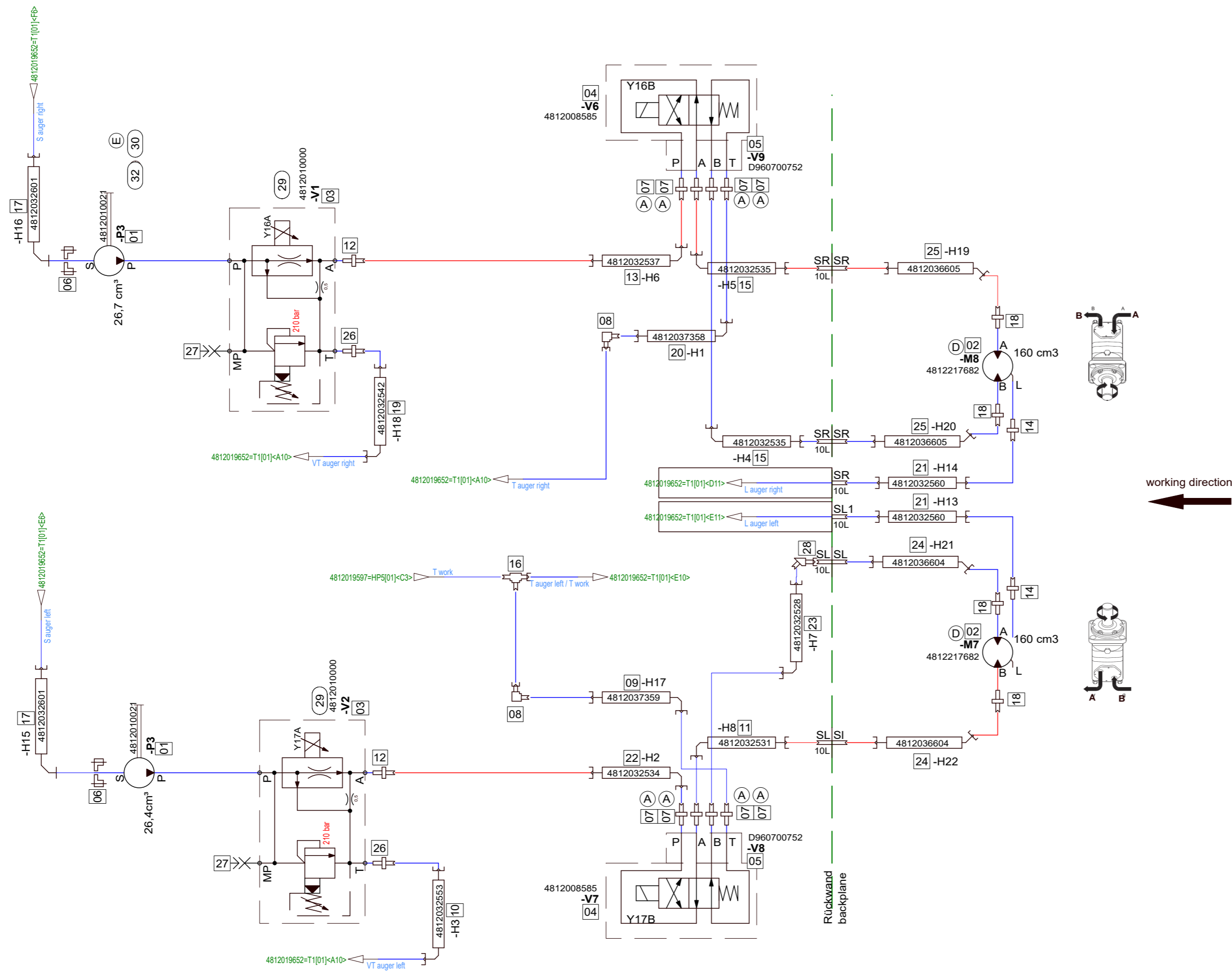


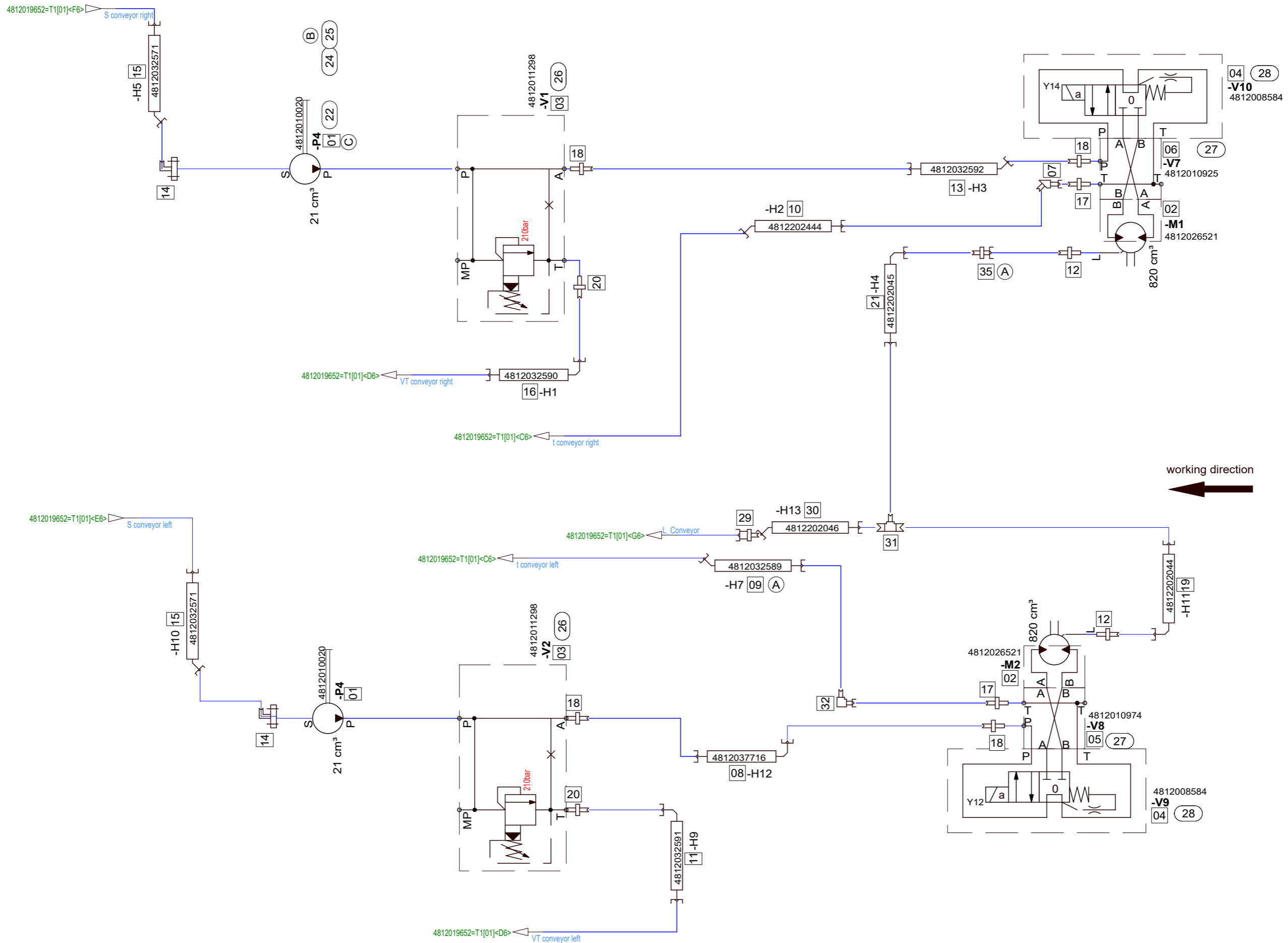
|   |  |   |  |                               |  |  |  |          |
|---|--|---|--|-------------------------------|--|--|--|----------|
| This document is subject to the protection notice ISO 16016 |  | <b>hydraulic</b><br>machine type: 890-895<br>from machine no.:<br>to machine no.: | project<br>name: WA-868271<br>printed: 05.05.2020<br>saved: 05.05.2020 09:44 | <b>890-891<br/>pump drive</b> |  | 4812201798 A<br>ident number<br>document no. | saved: 2020-05-05<br>user: DFPMBO<br>proved: DFPSFI<br>standard: | =PVG[01] |
|   |  |   |  |                               |  |  |  |          |





working direction ←

|   |  |   |                         |                      |              |                    |                   |          |
|---|--|---|-------------------------|----------------------|--------------|--------------------|-------------------|----------|
| This document is subject to the protection notice ISO 16016 |  | <b>hydraulic</b><br>machine type: 890-895<br>from machine no.:<br>to machine no.: | project name: WA-868271 | 890-891<br>HYD AUGER | 4812201343 F | saved user: DFPMBO | 2020-04-01        | =HP2[01] |
|   |  |   | printed: 01.04.2020     |                      |              | document no.       | standard: DFPFSFI |          |



This document is subject to the protection notice ISO 16016



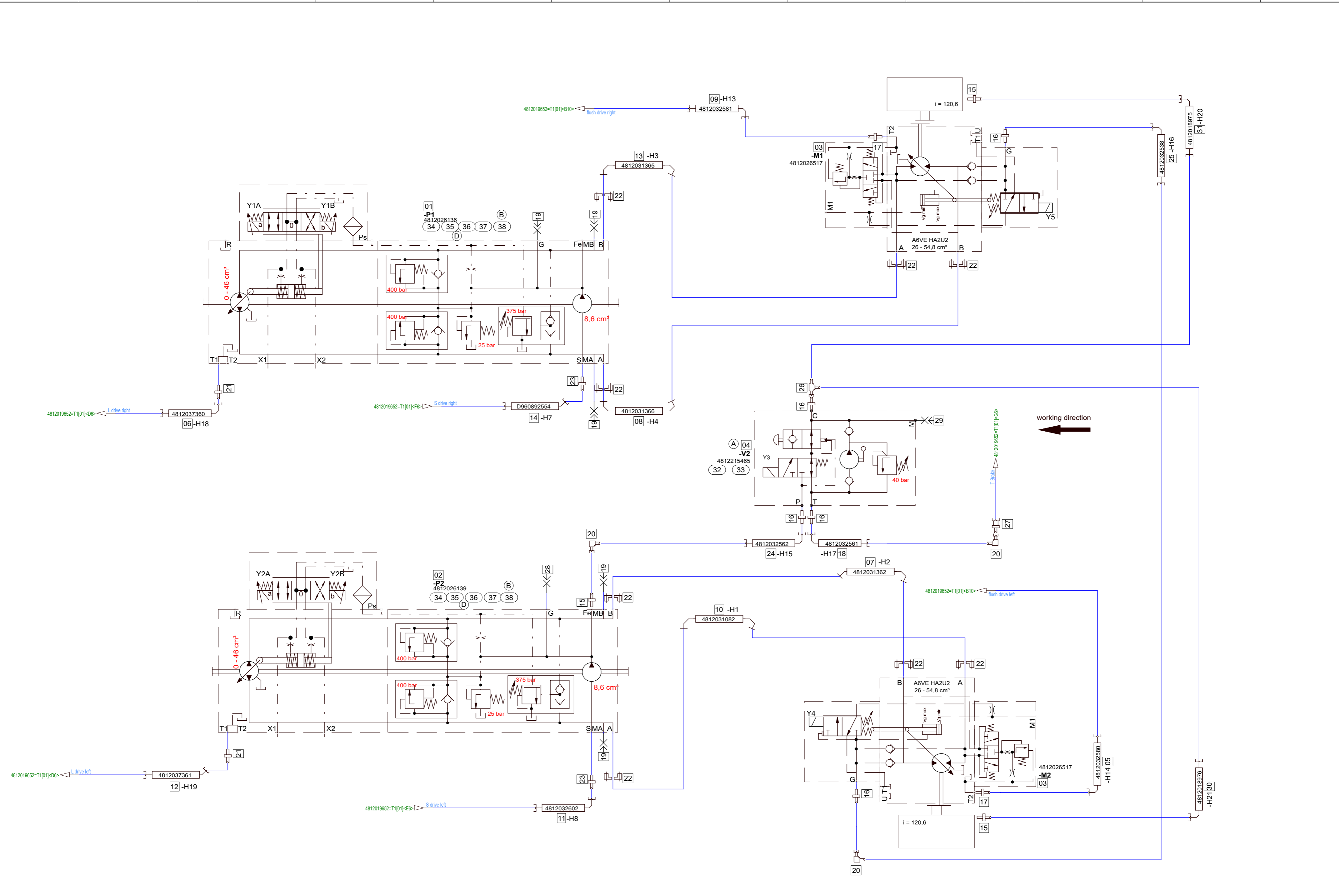
**hydraulic**  
 machine type: 890-895  
 from machine no.:  
 to machine no.:

project  
 name: WA-868271  
 printed: 01.04.2020  
 saved: 01.04.2020 10:22

**890-891**  
**HYD CONVEYOR**

**4812201344 D**  
 ident number  
 document no.

|          |            |          |
|----------|------------|----------|
| saved    | 2020-04-01 | =HP3[01] |
| user     | DFPMBO     |          |
| proved   | DFPSFI     |          |
| standard |            |          |



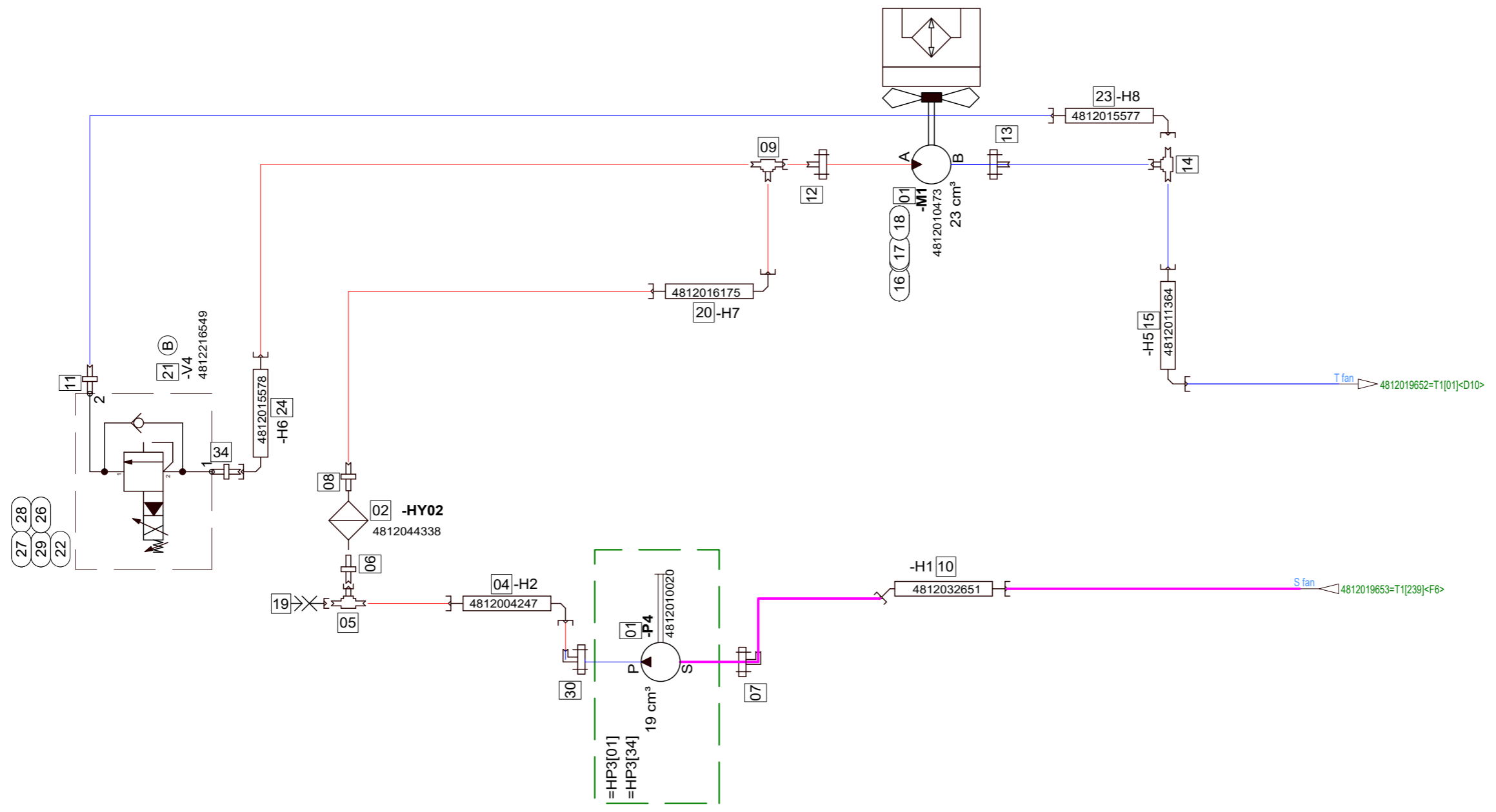
This document is subject to the protection notice ISO 16016



|                   |         |          |                  |
|-------------------|---------|----------|------------------|
| <b>hydraulic</b>  |         | project  |                  |
| machine type:     | 890-895 | name:    | WA-868271        |
| from machine no.: |         | printed: | 14.09.2021       |
| to machine no.:   |         | saved:   | 14.09.2021 08:36 |

**890-891**  
**HYD DRIVE**

|                     |  |          |            |         |
|---------------------|--|----------|------------|---------|
| <b>4812201341 D</b> |  | saved    | 2020-04-01 | =HP1 01 |
| ident number        |  | user     | DFPMBO     |         |
| document no.        |  | proved   | DFPSFI     |         |
|                     |  | standard |            |         |



This document is subject to the protection notice ISO 16016

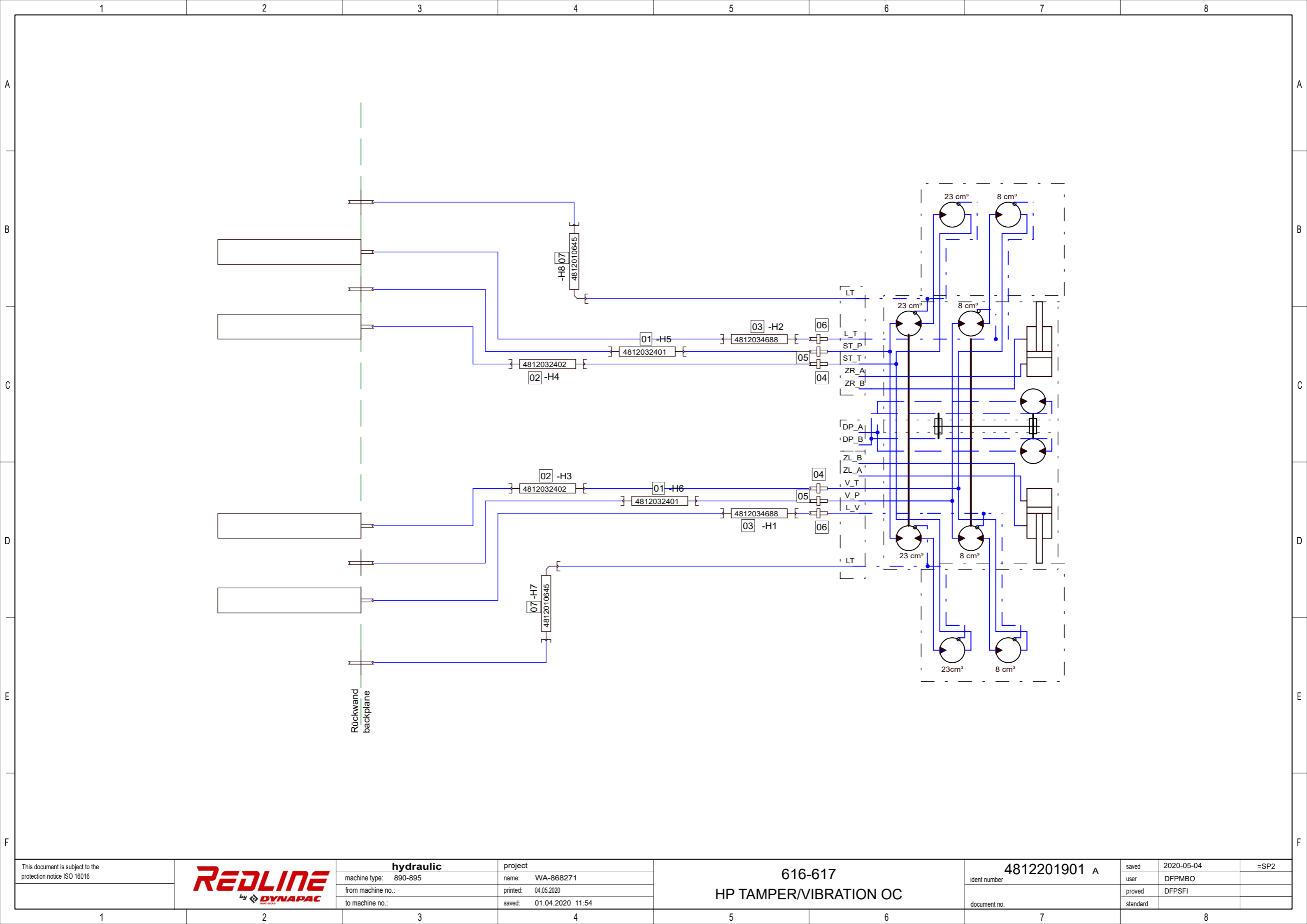


|                   |         |                         |
|-------------------|---------|-------------------------|
| <b>hydraulic</b>  |         | project                 |
| machine type:     | 890-895 | name: WA-868271         |
| from machine no.: |         | printed: 05.05.2020     |
| to machine no.:   |         | saved: 04.05.2020 14:24 |

**890-891  
HYD FAN**

ident number **4812201373 C**  
document no.

|          |            |          |
|----------|------------|----------|
| saved    | 2020-05-05 | =HP6[01] |
| user     | DFPMBO     |          |
| proved   | DFPSFI     |          |
| standard |            |          |



This document is subject to the protection notice ISO 16016



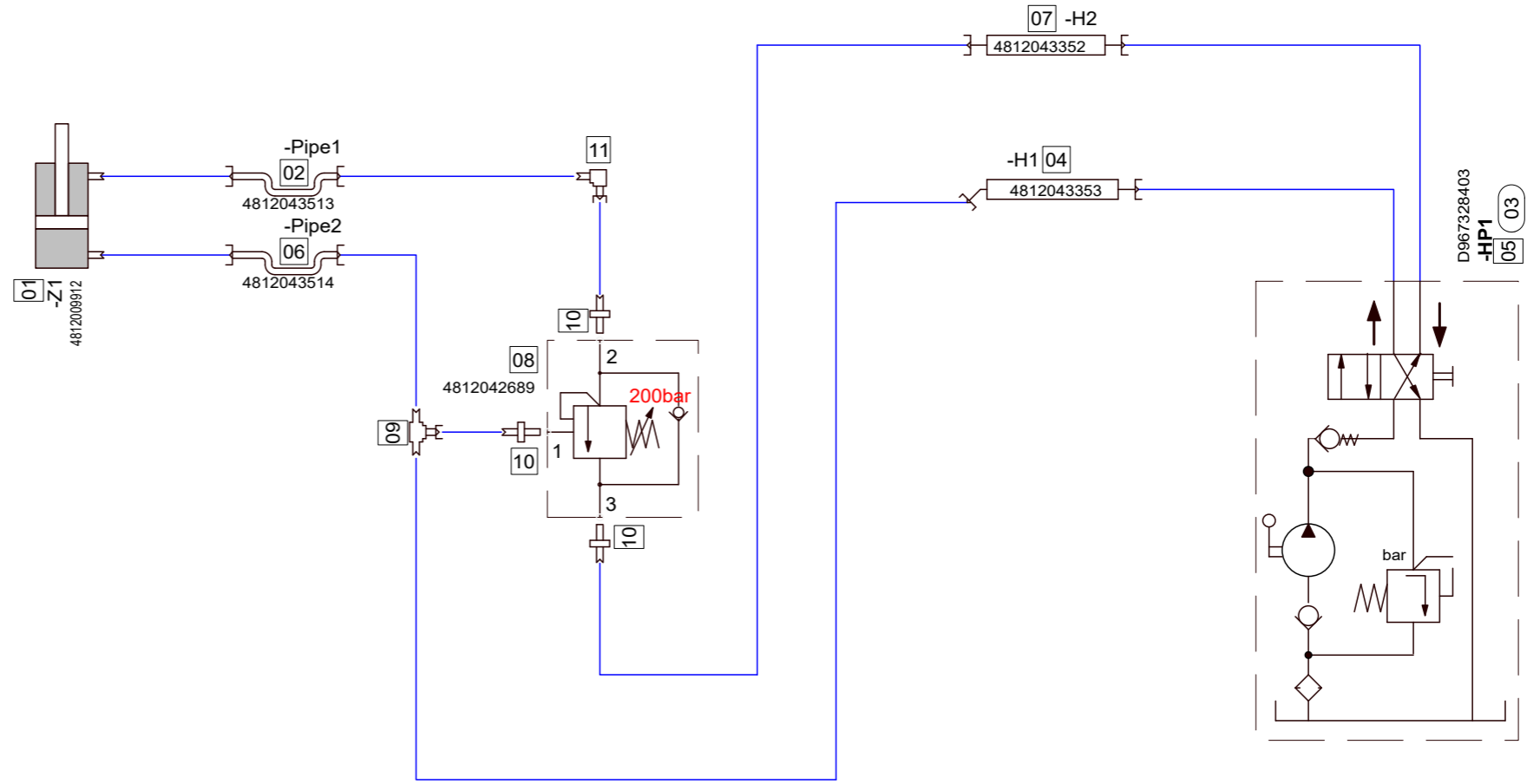
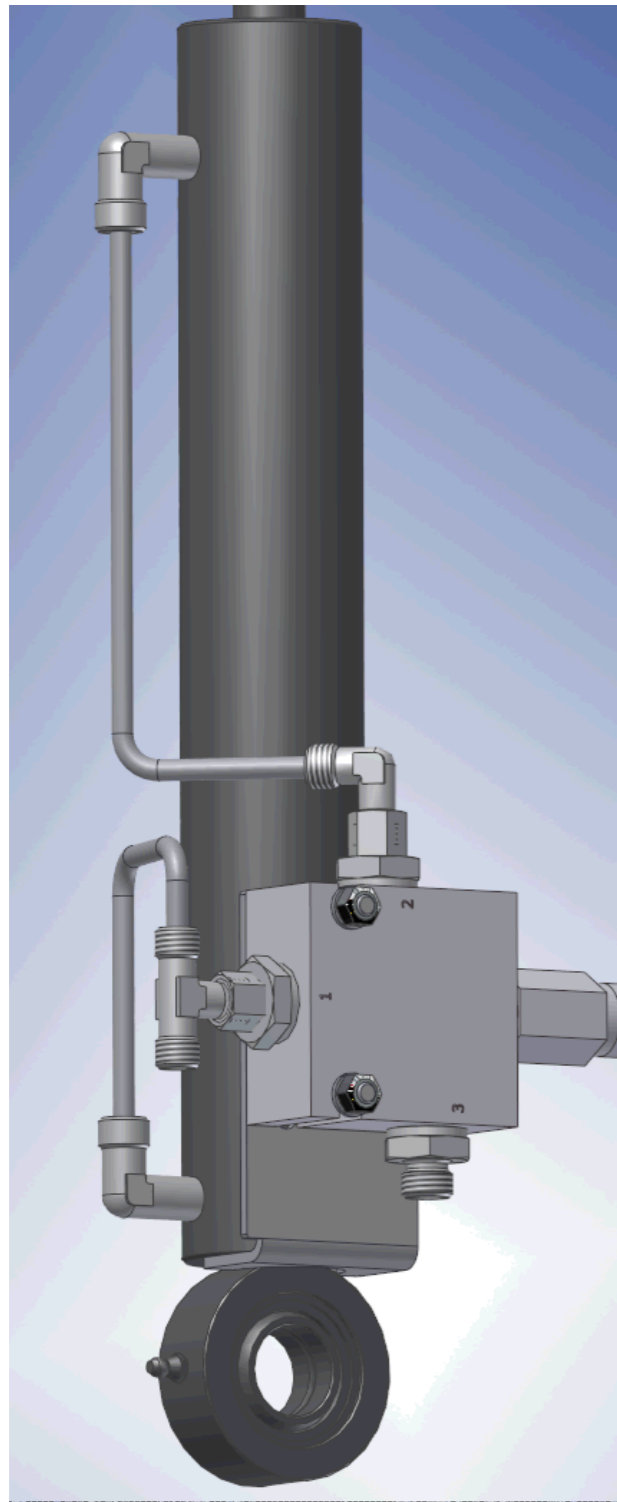
**hydraulic**  
 machine type: 890-895  
 from machine no.:  
 to machine no.:

project  
 name: WA-868271  
 printed: 04.05.2020  
 saved: 01.04.2020 11:54

**616-617**  
**HP TAMPER/VIBRATION OC**

**4812201901 A**  
 ident number  
 document no.

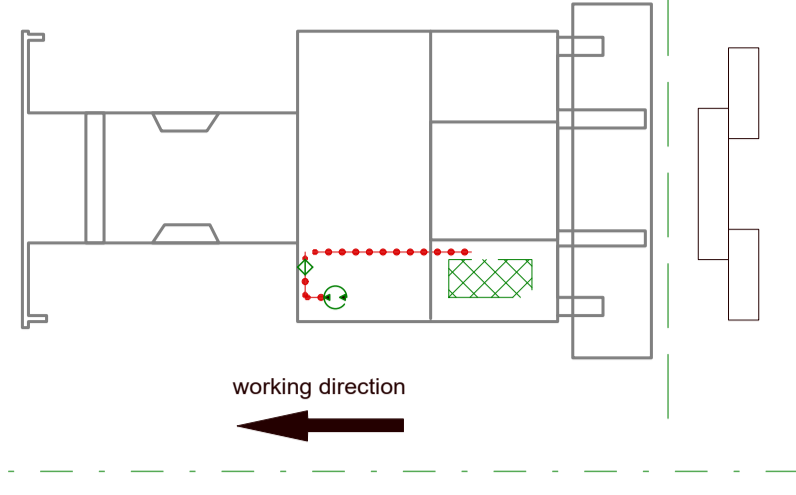
|          |            |      |
|----------|------------|------|
| saved    | 2020-05-04 | =SP2 |
| user     | DFPMBO     |      |
| proved   | DFPSFI     |      |
| standard |            |      |



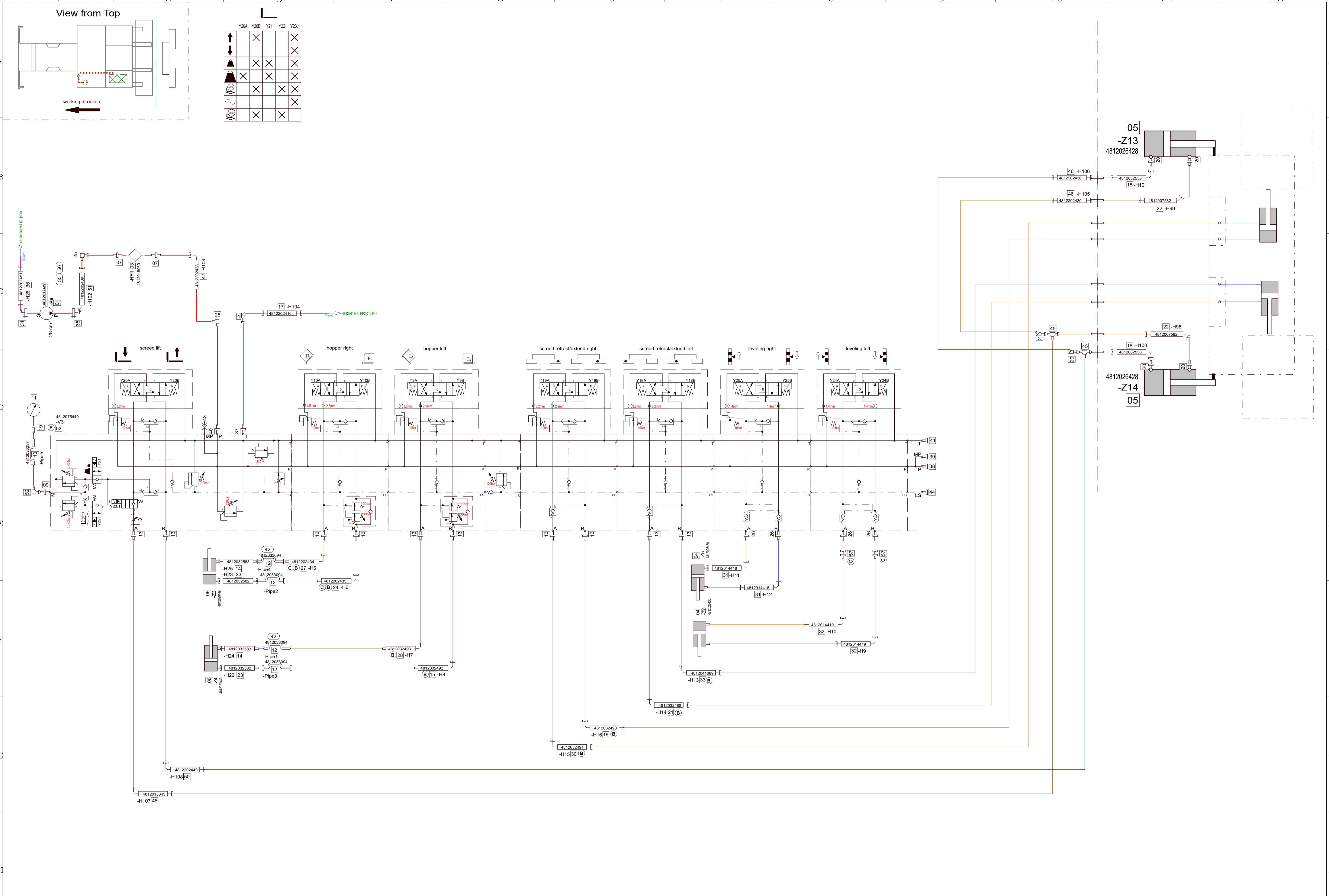
|   |  |                       |                         |         |              |              |            |            |
|---|--|-----------------------|-------------------------|---------|--------------|--------------|------------|------------|
| This document is subject to the protection notice ISO 16016 |  | hydraulic             | project                 | 890-895 | 4812201358 A | saved        | 2020-05-04 | =HP24[0-5] |
|   |  | machine type: 890-895 | name: WA-868271         |         |              | user         | DFPMBO     |            |
|   |  | from machine no.:     | printed: 04.05.2020     |         |              | proved       | DFPSFI     |            |
|   |  | to machine no.:       | saved: 01.04.2020 11:54 |         |              | document no. |            |            |

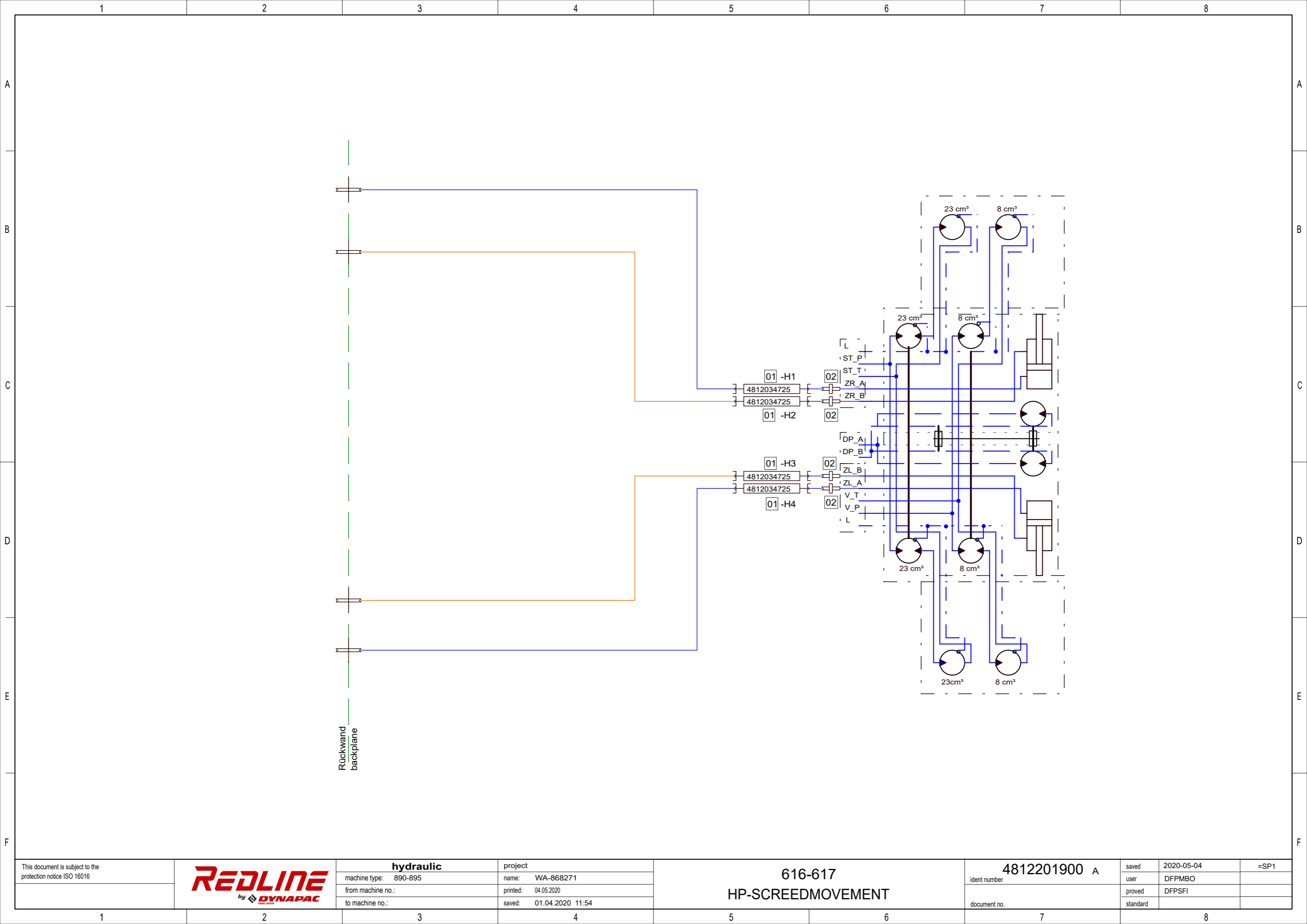


View from Top



|   |      |      |     |     |       |
|---|------|------|-----|-----|-------|
|   | Y20A | Y20B | Y21 | Y22 | Y23.1 |
| ↑ |      | X    |     |     | X     |
| ↓ |      | X    | X   |     | X     |
| ▲ | X    | X    | X   | X   | X     |
| ● | X    | X    | X   | X   | X     |
| ○ | X    | X    | X   | X   | X     |





Rückwand  
backplane

This document is subject to the protection notice ISO 16016



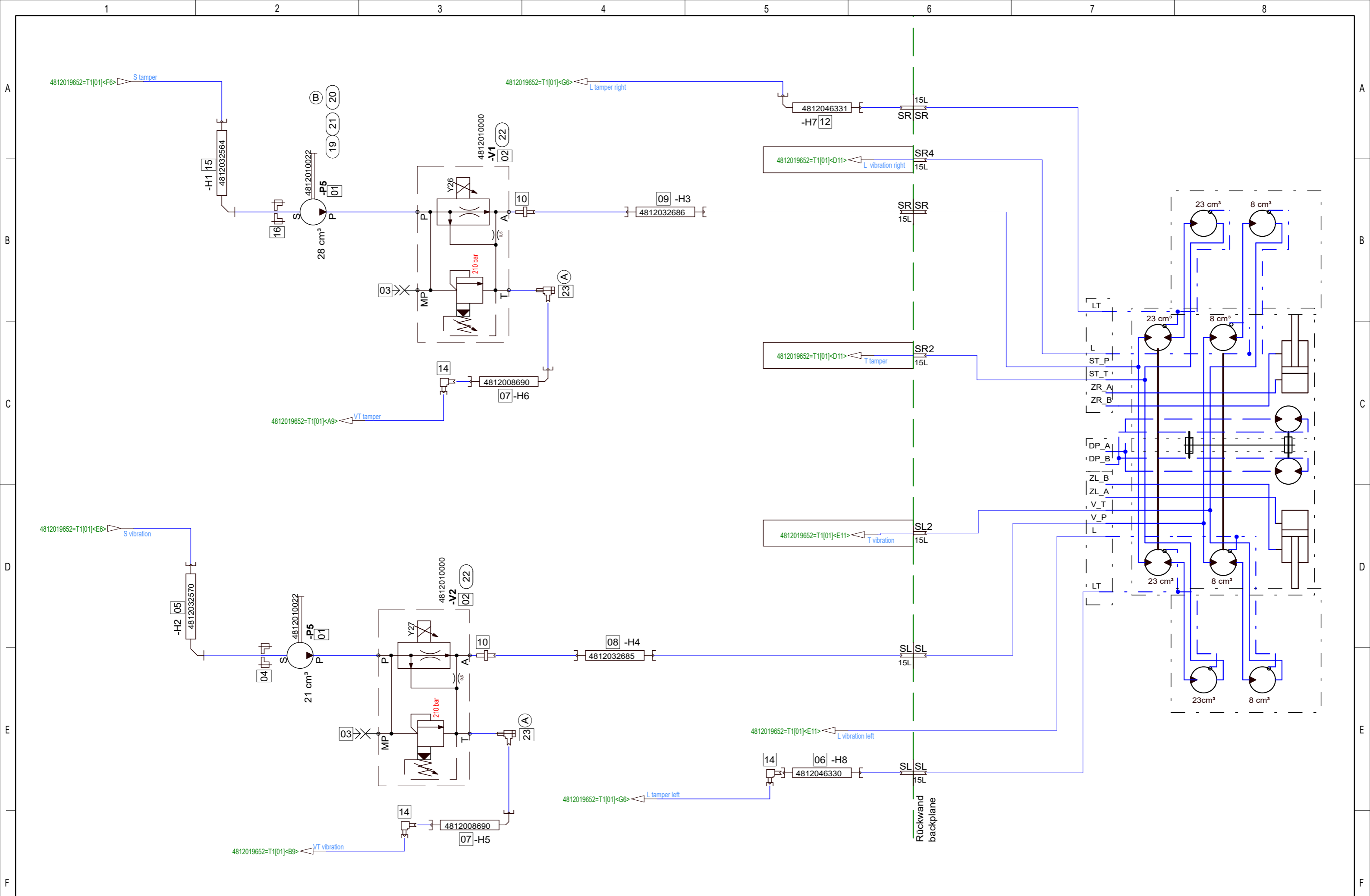
**hydraulic**  
 machine type: 890-895  
 from machine no.:  
 to machine no.:

project  
 name: WA-868271  
 printed: 04.05.2020  
 saved: 01.04.2020 11:54

**616-617**  
**HP-SCREEDMOVEMENT**

**4812201900 A**  
 ident number  
 document no.

|          |            |      |
|----------|------------|------|
| saved    | 2020-05-04 | =SP1 |
| user     | DFPMBO     |      |
| proved   | DFPSFI     |      |
| standard |            |      |



This document is subject to the protection notice ISO 16016



**hydraulic**  
 machine type: 890-895  
 from machine no.:  
 to machine no.:

project  
 name: WA-868271  
 printed: 01.04.2020  
 saved: 01.04.2020 10:22

**890-891**  
**HYD TAMPER VIBRATION**

4812201351 c  
 ident number  
 document no.

|          |            |          |
|----------|------------|----------|
| saved    | 2020-04-01 | =HP4[01] |
| user     | DFPMBO     |          |
| proved   | DFPSFI     |          |
| standard |            |          |