

# REDLINE Asphalt & Concrete Cutter



## RC185

### Technical Data

#### Masses

Net mass	129 kg
Operating mass	135 kg

#### Cutting Section

Standard diamond cutting blade	510 mm
Optional diamond cutting blade	450 mm
Max. cutting depth	185 mm / 170 mm
Spindle diameter	25.4 mm
Water tank capacity	40 l

#### Engine

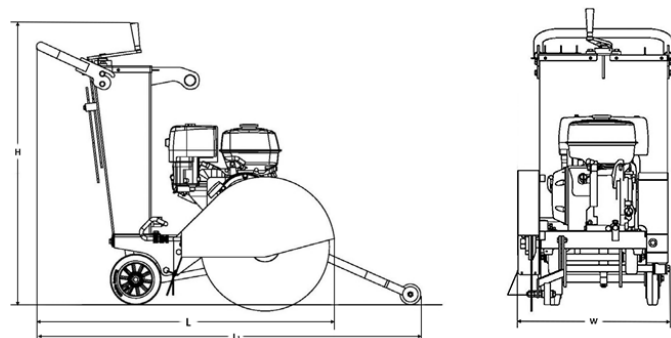
Manufacturer model	Honda GX390
Type	Petrol
Power	9.6 kW @ 3,600 rpm

#### Dimensions

Height H	1,115 mm
Length L	1,176 mm
Length L1	1,520 mm
Width W	585 mm

#### Features

- Variable cutting depth
- Two position lock for precise depth control
- Heavy-duty quick connection for water spray system
- Four banded cogged V-belt
- All-round protection for V-belt
- Lifting hook
- Recoil starter
- Rust free water tank with painted interior



We reserve right to change specifications without notice. Photos and illustrations do not always show standard versions of machines.

The above information is a general description only, all information are supplied without liability.

