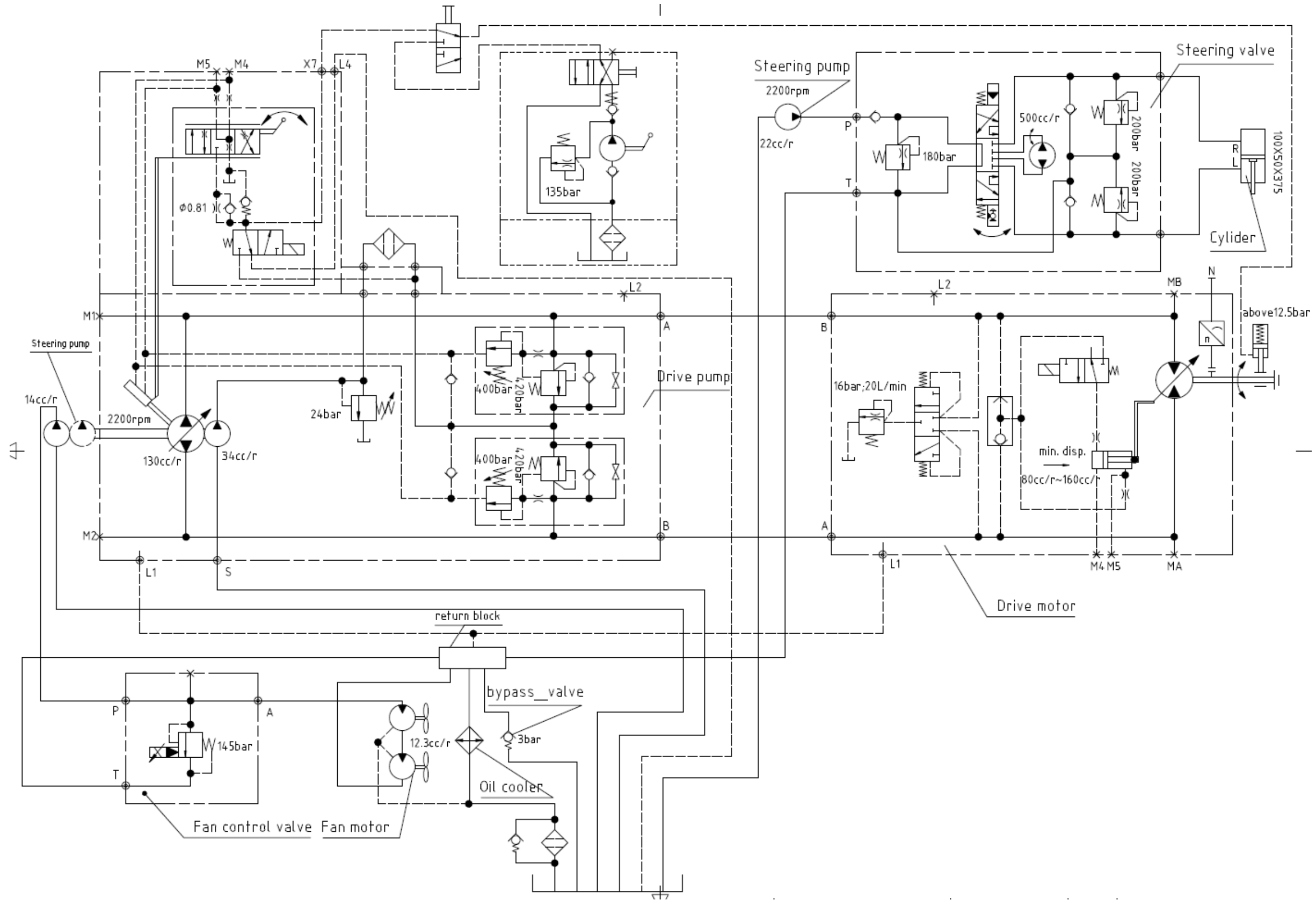


This drawing will remain the property of Dynapac Compaction Equipment AB and may not be copied, reproduced, or used for manufacturing purposes without the written permission of the said company.



View 	Designed By COJYAZ	Approved By COJJC	Material Desination	Mass (kg)	Model
	ECN No.		Surface Treatment	Secrecv Class Dvn STD 364	Scale 1:1
DYNAPAC	Date 240130		Description PTR hydraulic schematic diagram	Rev. K0	Sheet of 1 (1)
	No Of			No. 4812284900	