

REDLINE

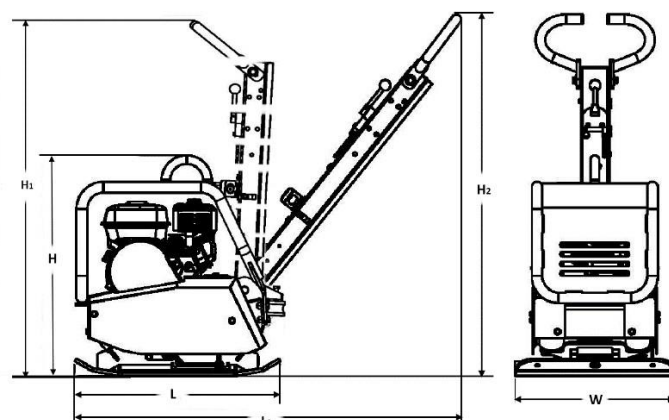
Reversible plates



RR180

Technical Data

Masses		Features
Operating mass	183 kg	Control handle with vibration isolation
Net weight	181 kg	Control lever lock in transport position
Gradeability		Reverse drive protection
Maximum working speed	20 m/min	High wear resistant base plate
Max gradability	55 %	All around protection hood
Compaction		All around protection for V-belt
Centrifugal force	30 kN	One point lift
Frequency	81 Hz	Recoil started
Amplitude	1.8 mm	Self-cleaning plate technology
Engine		High wear-resistant forged base plate
Manufacturer Model	Honda GX 200	
Type	Petrol	
Power	4.1 kW @ 3450 rpm	
Dimensions		
Height (H)	690 mm	
Height (H1)	1140 mm	
Height (H2)	1150 mm	
Length (L1)	1230 mm	
Length plate (L)	710 mm	
Width plate	500 mm	



We reserve right to change specifications without notice. Photos and illustrations do not always show standard versions of machines.

The above information is a general description only, all information are supplied without liability.

