

REDLINE

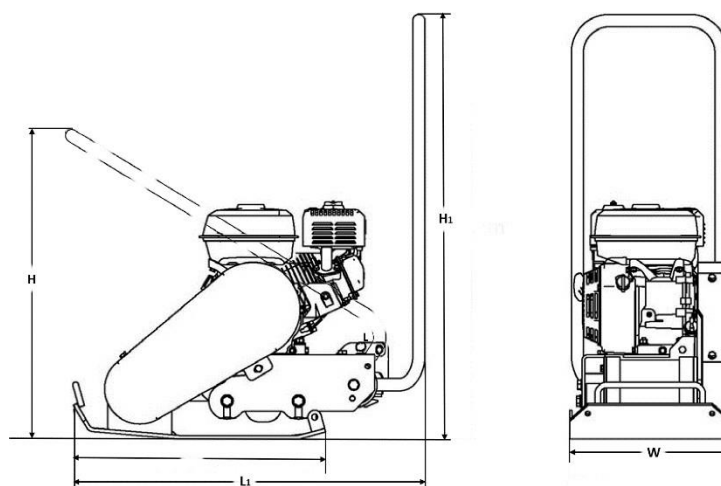
Forward Plates



RV100

Technical Data

Masses		Features
Operating mass	104 kg	Foldable steering handle with vibration isolation
Basic mass	97 kg	Highly wear resistance wear plate
Traction		All-round protection for V-belt
Maximum working speed	24 m/min	Protection frame for the power pack
Max. Gradability	22 %	Carrying handles
Compaction		One point lift
Centrifugal force	19.60 kN	Puncture-proof transport wheels
Frequency	93 Hz	
Amplitude	0.95 mm	
Engine		
Manufacturer Model	Honda GX 160	
Type	Petrol	
Power	3.7 kW @ 3,450 rpm	
Dimensions		
Height (H)	621 mm	
Height (H1)	904 mm	
Length (L)	634 mm	
Length plate (L1)	864 mm	
Width plate	500 mm	



We reserve right to change specifications without notice. Photos and illustrations do not always show standard versions of machines.

The above information is a general description only, all information are supplied without liability.

