

Spare Part Catalogue

# DRA30

# Asphalt Roller



**SERIAL NUMBER:**

10300619HME011517

**ENGINE:**

Dynapac- 4275 DI TU

PN - 4812333215\_A - EN

---

## Manual Revisions

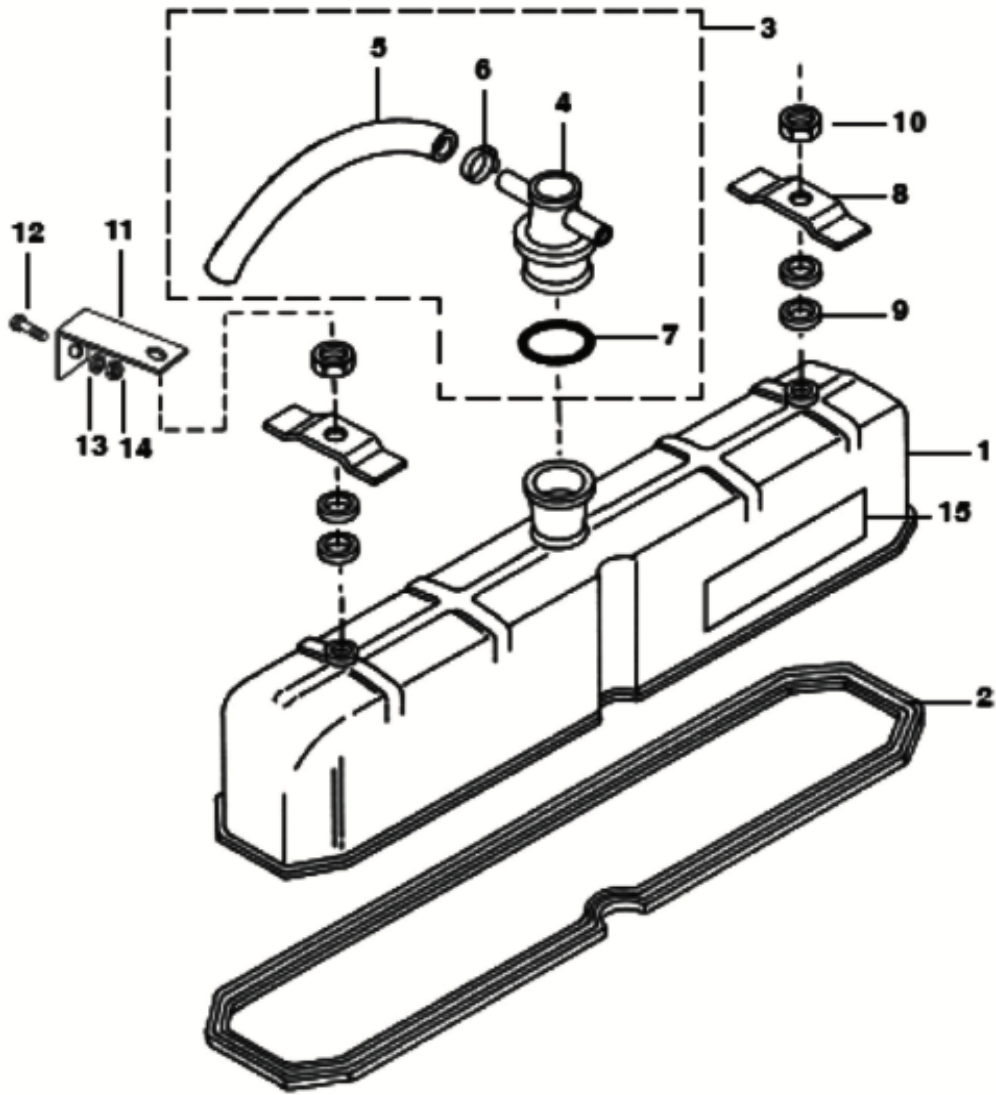
**Table 1: Revision History**

<b>Sr no</b>	<b>Date</b>	<b>Revision</b>
1	Dec' 2021	New Released
2		

## TABLE OF CONTENTS

VALVE HOUSING COVER.....	1
EXHAUST SYSTEM (UPDRAFT).....	3
CYLINDER HEAD ASSEM.....	3
VALVE TRAIN.....	3
CRANCASE FRONT COVER.....	3
CRANKCASE WITH OIL PAN.....	3
CRANKSHAFT ASSEMBLY.....	3
SLEEVE, PISTON & CONNECTING ROD.....	3
LUBRICATION SYSTEM (OIL PUMP) .....	3
COOLING SYSTEM.....	3
FUEL INJECTION SYSTEM.....	3
ELECTRICALS.....	3

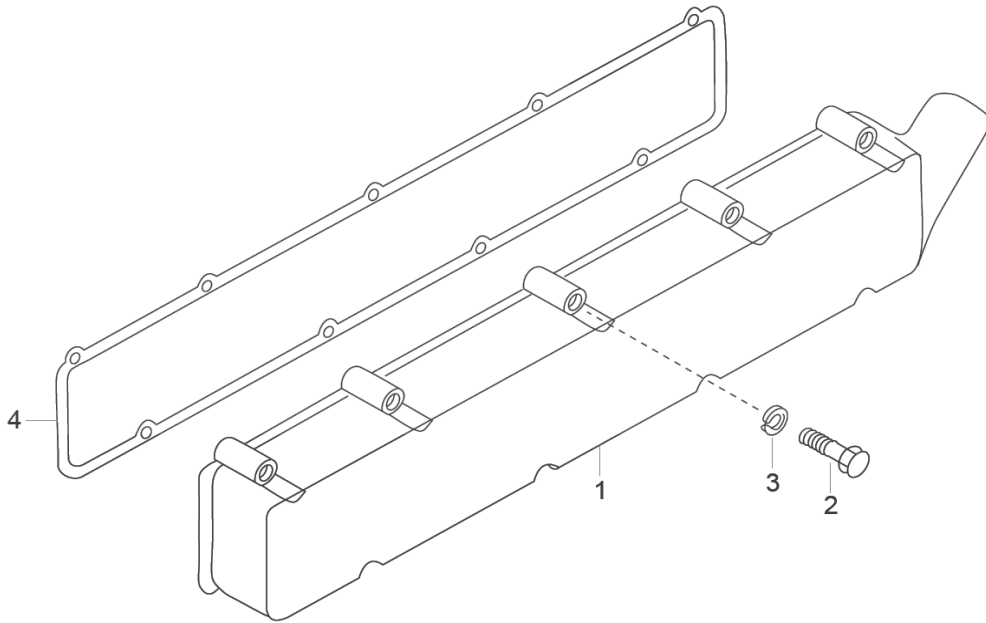
VALVE HOUSING COVER



**VALVE HOUSING COVER**

Ref. No.	Part Number	Description	Qty
1	4812333380	VALVE HOUSING COVER	1
2	4812333124	GASKET VALVE HOUSING	1
5	4812333401	Tube Oil Emation	1
6	4812333363	Clip Hose Worm Type	1
9	4812333423	WASHER SEAL	3
10	4812333269	Nut valve Hsg. Cover M10×1.5	2
11	4812333365	Brace Bracket To Valve Housing Cover	1
12	4812333376	Bolt 5/16"UNC × 1.1/8	1
13	4812333326	washer 1/4" Spring Lock	1
13	4812333318	WASHER M8 SPRING LOCK	1
14	4812333245	Nut5/16"UNC	1
15	4812333399	Sticker Mahindra Logo for Engine	1
4&7	4812333125	Cap oil Filler With Oil Seal	1

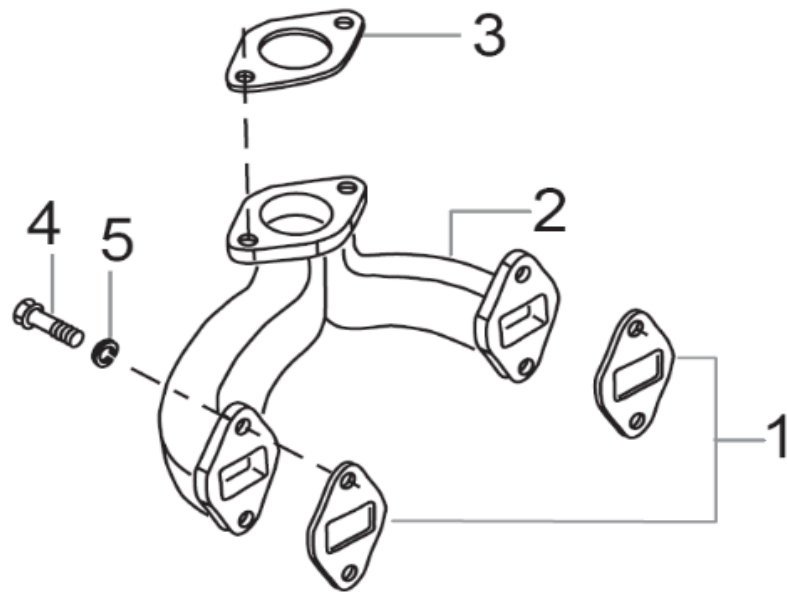
**Air intake system**



## Air intake system

Ref. No.	Part Number	Description	Qty
1	4812333252	MANIFOLD AIR INTAKE (3DI)	1
2	4812333271	BOLT Intake Manifold Mounting	6
-	4812333387	STUD - Intake Manifold	1
3	4812333318	WASHER Spring Manifold Mounting	9
4	4812333126	GASKET AIR INTAKE (275DI)	1

**EXAHUST SYSTEM (UPDRAFT)**

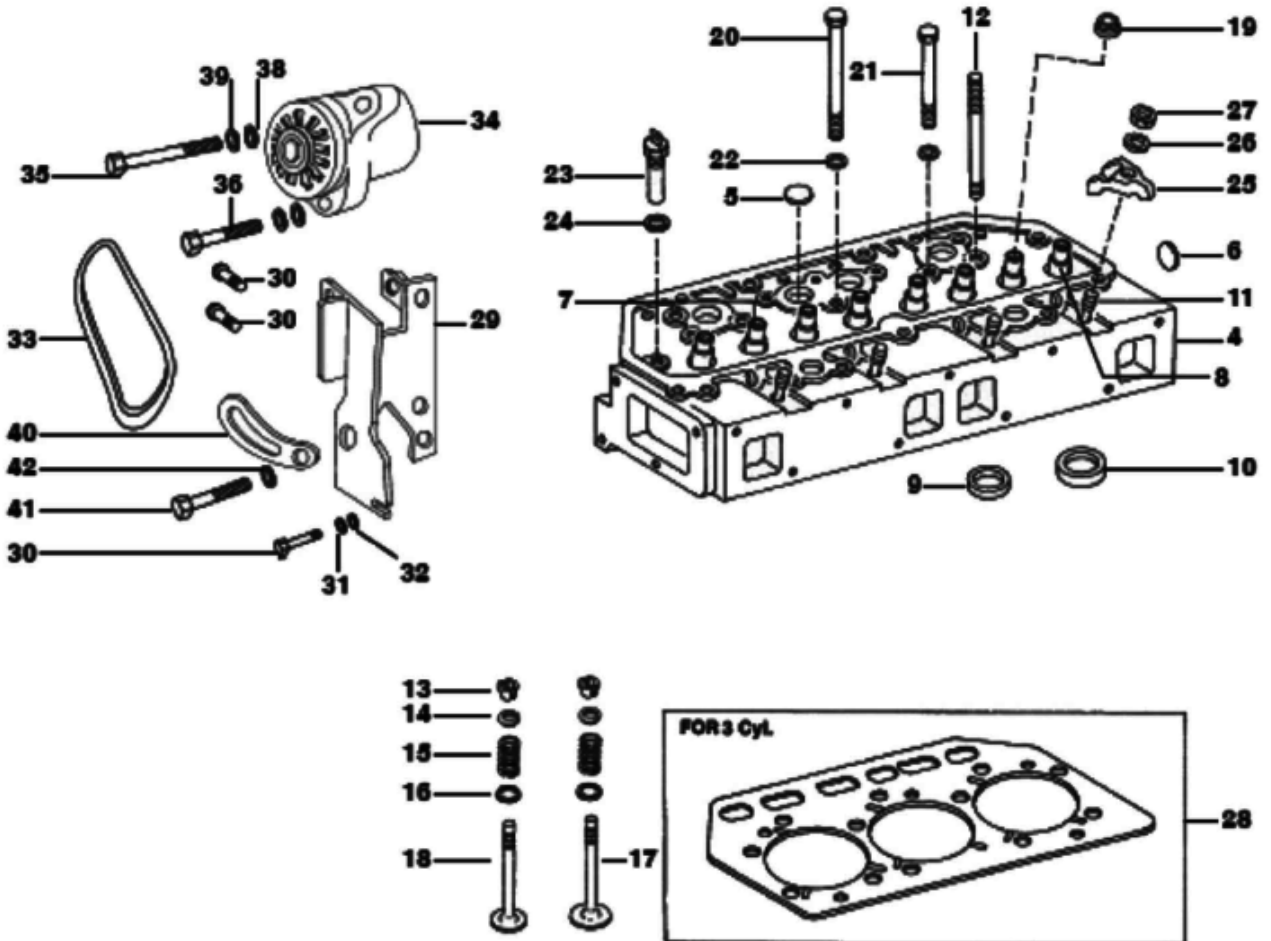




## EXHAUST SYSTEM (UPDRAFT)

Ref. No.	Part Number	Description	Qty
1	4812333127	Gasket Exahust Manifold	2
2	4812333389	Manifold Exh. W/Stub pipeAssy. 3Cyl.	1
3	4812333128	GASKET EXHAUST PIPE	1
4	4812333302	BOLT Exhaust Manifold	4
5	4812333343	WASHER Plain Exhaust Manifold	

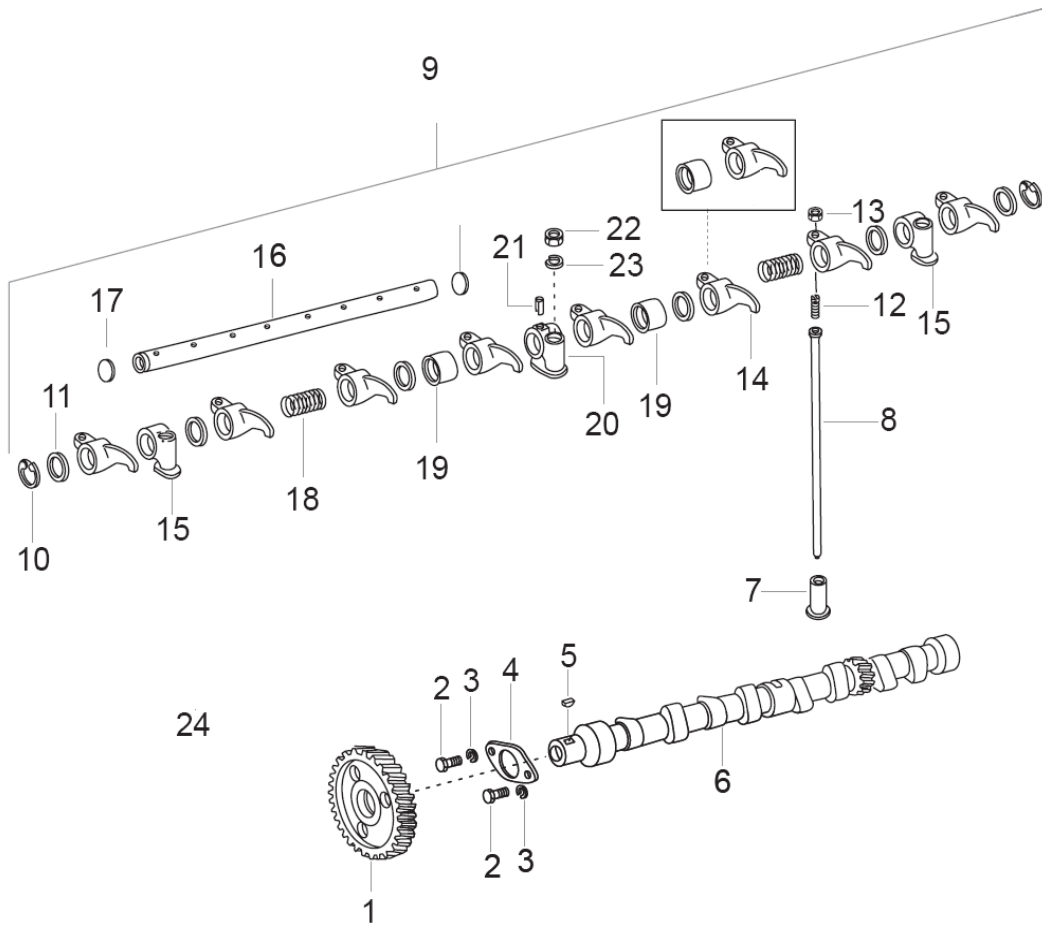
**CYLINDER HEAD ASSEM**



## CYLINDER HEAD ASSEM

Ref. No.	Part Number	Description	275TU
4	4812333434	HEAD CYLINDER ASSY -3DI -LON	1
5	4812333297	Plug Expansion 1-1/4 (Small)	4
6	4812333298	Plug Expansion 1-3/4 (Big)	1
7	4812333129	Guide Valve	6
8	4812333130	Plug Water Jet	3
9	4812333131	Ring Valve Set Intake	3
10	4812333132	Ring Valve Set Exhaust	3
11	4812333364	Stud Injection Nozzle Holder	3
12	4812333268	Stud Rocker Shaft End Bracket	2
13	4812333133	Lock Valve Spring (Multi Groove)	12
14	4812333134	Cup Retainer Valve Spring (Upper)	12
15	4812333390	Spring Valve	6
16	4812333258	Washer Cup Retainer Valve Spring	6
17	4812333135	Valve Intake(Multi Groove)	3
18	4812333136	Valve Exhaust (Multi Groove)	3
19	4812333137	Seal Valve Stem	6
20	4812333372	Bolt Cylinder Head Long	1
21	4812333371	Bolt Cylinder Head short	12
22	4812333331	Washer Cylinder Head Bolt	13
23	4812333138	SENSOR TEMP. GAUGE	1
24	4812333358	Washer copper Temp sensor	1
25	4812333440	Clamp Nozzle Holder	3
26	4812333270	Washer Conical Nozzle Holder	3
27	4812333269	Nut Nozzle Holder Clamp	3
28	4812333139	Gasket Cylinder Head	1
29	4812333412	Bracket Alternator Mtg	1
30	4812333255	Bolt Bracket Mtg. M8 x 1.25x 25	3
31	4812333247	Washer Plain 0.343x 0.687x 0.051	1
31	4812333378	Washer Plain 0.343x 0.687x 0.051	1
32	4812333326	Washer Spring 5/16"	1
33	4812333122	Belt Alternator	1
34	4812333140	ALTERNATOR 36 AMP W/SMALLER PULLEY	1
35	4812333382	Bolt M10 x 1.50 x 85	1
36	4812333383	Bolt M10 x 1.50 x 86	1
37	4812333370	Guard Alternator	1
38	4812333290	Washer plain 10 x 24 x 3mm	2
39	4812333284	Washer Spring Lock M10	2
40	4812333381	Plate Alternator Brace	1
41	4812333289	Bolt M10 x 1.5 x 25L	1
42	4812333284	Washer Spring Lock M10	1

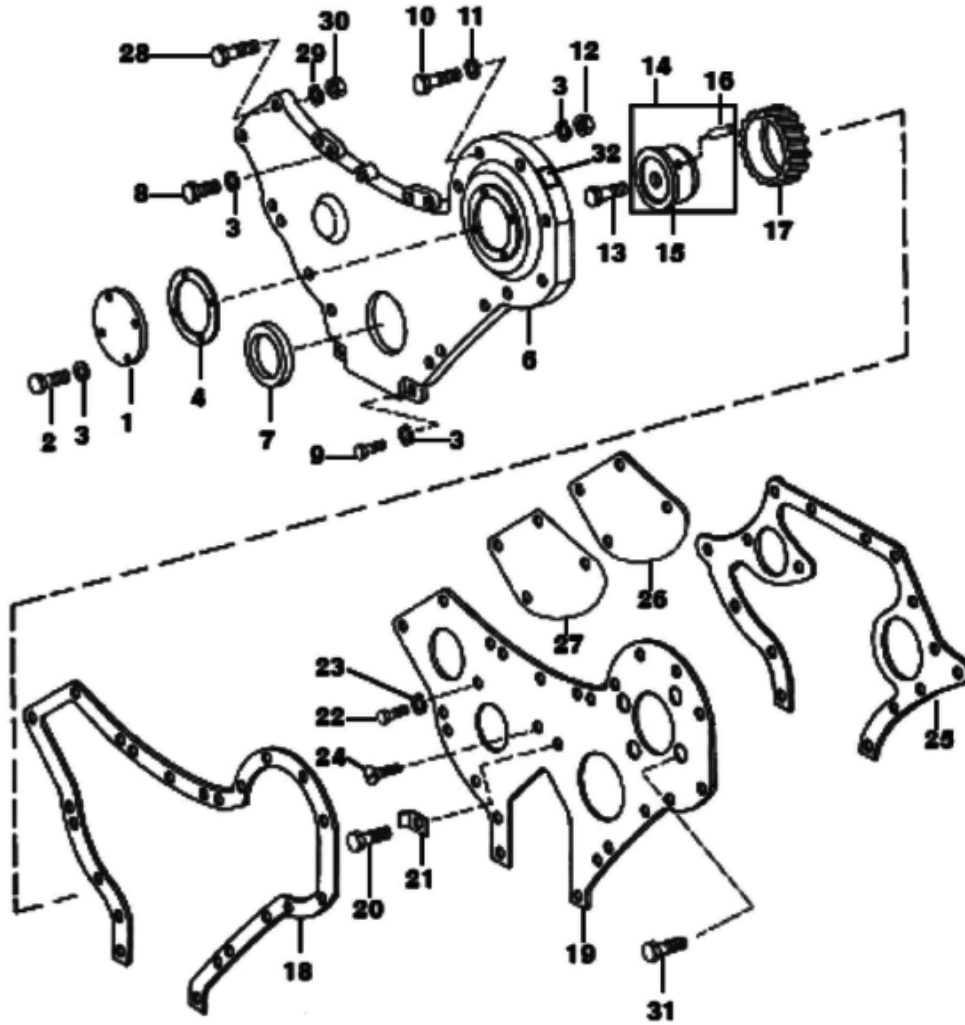
**VALVE TRAIN**



## VALVE TRAIN

Ref. No.	Part Number	Description	275TU
1	4812333425	COMPACT GEAR CAM SHAFT	1
1	4812333426	COMPACT GEAR CAM SHAFT	1
2	4812333288	Screw Camshaft Thrust Plate	2
3	4812333327	Washer 3/8" Spring Thrust Plate	2
4	4812333402	Plate Camshft Thrust	1
5	4812333305	Key Woodruff Camshaft Gear3/16"× 5/8"	1
6	4812333388	camshaft Longstrokwe (3Cyl.)	1
7	4812333262	Tappet Valve	6
8	4812333263	Rod Push Valve (except 475DI, 365DI)	6
9	4812333141	Rocker Arm & V. Lever Shaft Assembly	1
	NR	Comprimising of	-
10	4812333265	Circlip Retainer Valve Lever Shaft	2
11	4812333264	Washer Spring lever shaft	4
12	4812333350	Screw Adjusting Rocker Arm	6
13	4812333294	Nut Rocker Arm Adjusting screw	6
14	4812333408	Arm Rocker Cpte With Bush	6
15	4812333260	Bracket Valve Lever sft-Frt/Rear	2
16	4812333369	Shaft Valve Lever With Plug	1
17	4812333296	Plug Expansion	2
18	4812333266	Spring Valve Lever Shaft	2
19	4812333267	Spacer Valve Lever Shaft	2
20	4812333259	Bracket Valve Lever sft- Center W/ Pin	1
21	4812333306	Pin Spring 3/16" × 1-1/4"	1
22	4812333269	Nut M10 × 1.5	2
23	4812333274	Washer Plain M10	2

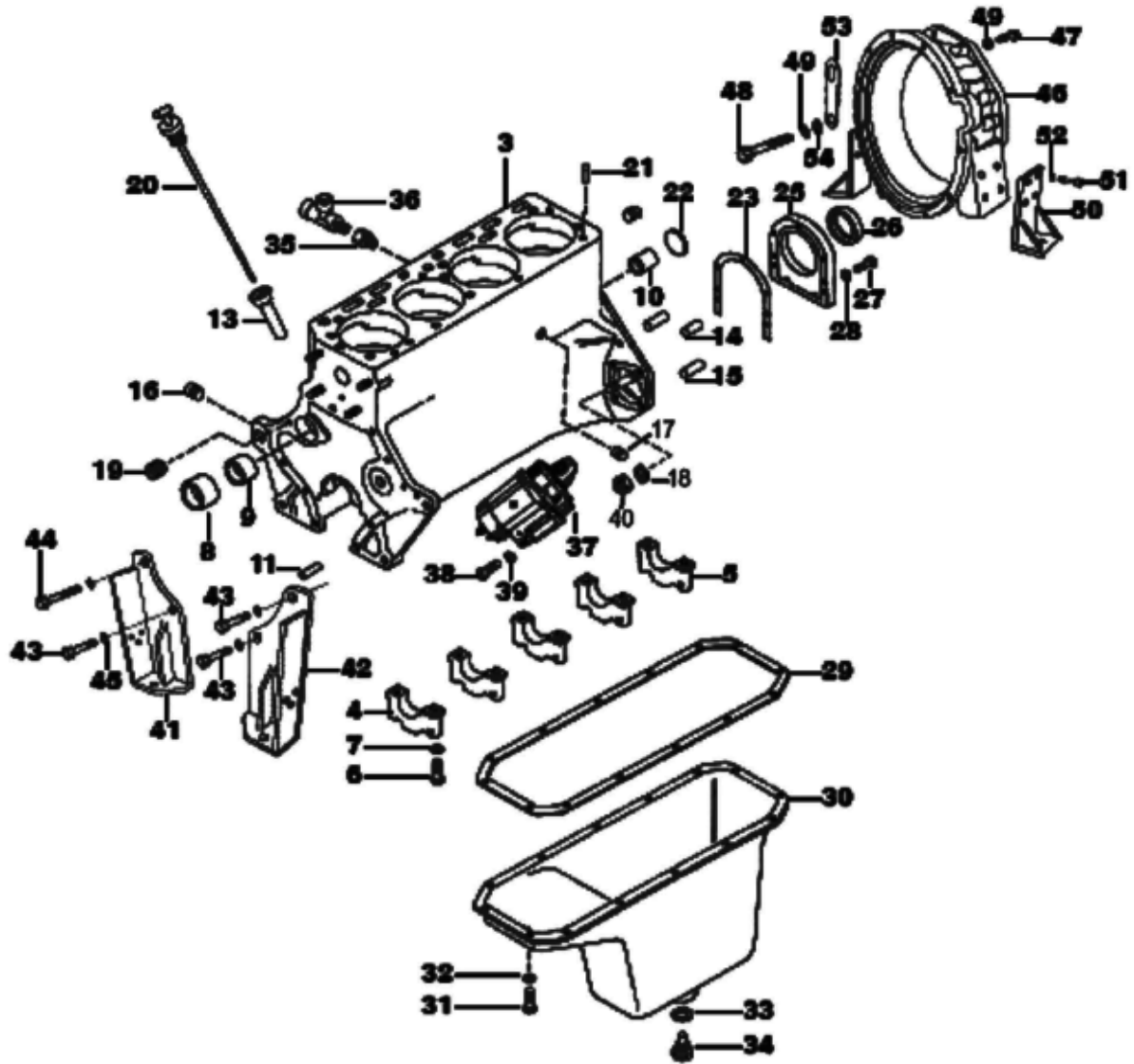
CRANK CASE FRONT COVER



## CRANK CASE FRONT COVER

Ref. No.	Part Number	Description	275TU
1	4812333377	Cover Ingection Pump Gear (Cast Iron)	1
2	4812333376	Bolt 5/16" UNC x2-3/4" HEX HD (V Grade)	4
3	4812333326	Washer S/L 5/6"	19
4	4812333144	Gasket F.I.P Gear Cover	1
6	4812333413	(1a) Cover Front Crankcase	1
7	4812333157	(1b) Oil Seal Crankcase Cover Front	1
8	4812333374	Bolt 5/16" UNC x 2HEX HD	4
9	4812333314	Bolt 5/16" UNC x 1-1/8" HEX HD	4
10	4812333375	Bolt 5/16" UNC x 2-1/2" HEX HD (V Grade)	6
11	4812333336	Washer Plain	1
12	4812333245	Nut 5/16" UNC	4
13	4812333250	Bolt Shaft Idler Gear	1
14	4812333311	Shaft Cpte. Idlear Gear With Roll Pin	1
	NR	Comprising Of	-
16	4812333339	PIN ROLL 4.9MM X 15.9MM	-
17	4812333427	IDLER GEAR ASSY. COMPACT	1
18	4812333145	Gasket Crankcase Front Cover	1
19	4812333275	Plate Front Crankcase	1
20	4812333376	Bolt Front Plate Mtg. 5/16" UNC 3/4" HEX HD	1
21	4812333309	Washer Tap Front Plate Mtg.	1
22	4812333249	Bolt F/Plate 1/4x 3/4	1
23	4812333325	Washer S/L 1/4	1
24	4812333345	Screw Crankcase Front Plate	1
25	4812333146	Gasket Crankcase Front Plate	1
	4812333411	HYDRAULIC DUMMY PLATE	1
26	4812333411	PLATE Hyd. Pump Opening Cover	1
27	4812333147	GASEKET HYD. DUMMY PLATE	1
28	4812333374	Bolt 5/16" UNC x 2- 2-1/2" HEX	4
28	4812333375	Bolt 5/16" UNC x 2- 2-1/2" HEX	4
29	4812333326	Washer 5/16" Spring Lock	4
30	4812333245	Nut 5/16" UNC	4
31	4812333283	Bolt FIP Mtg. M8 1.25x 22	4
32	4812333399	Sticker Mahindra Logo for Engine	1

CRANKCASE WITH OIL PAN



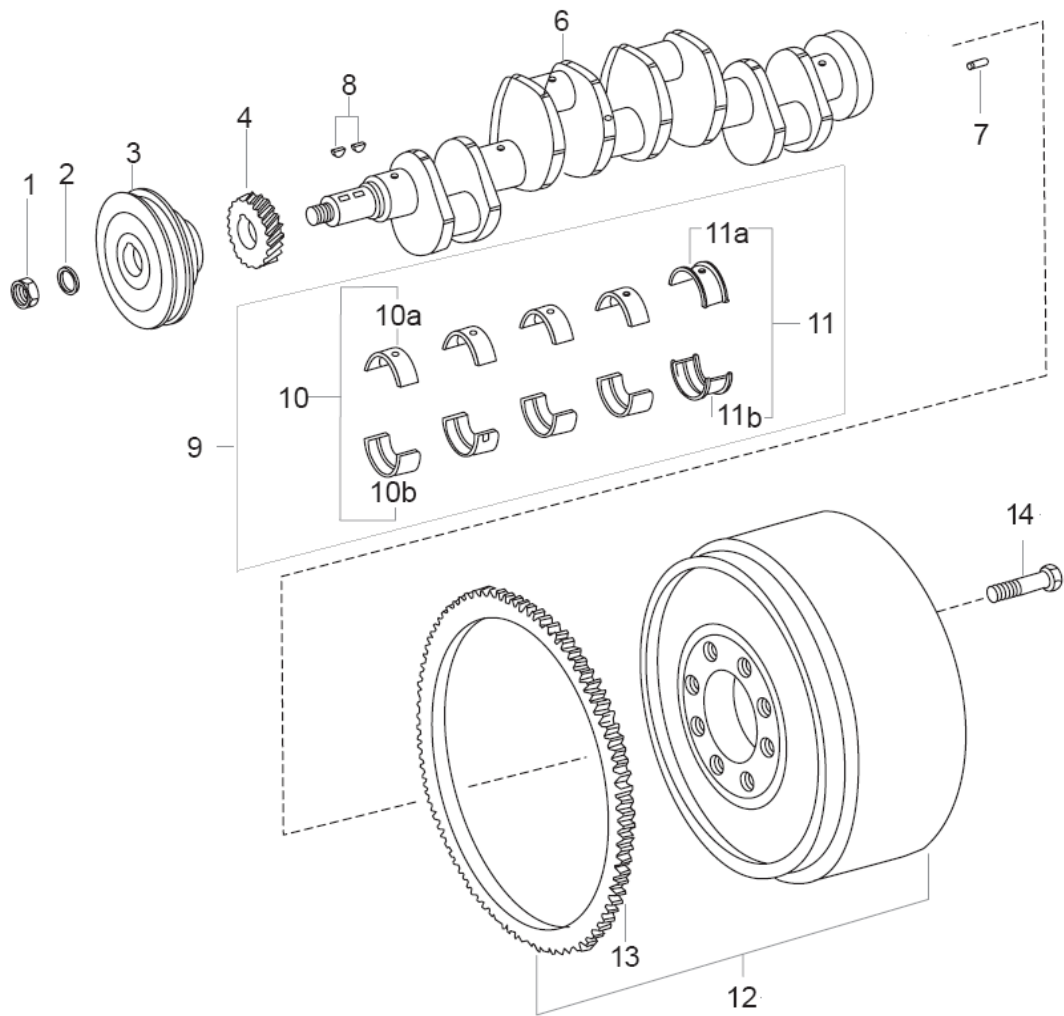


**CRANKCASE WITH OIL PAN**

Ref. No.	Part Number	Description	Qty
	4812333435		
1	NR	Crankcase Cpte	1
2	NR	Crankcase Incomplete	1
3	NR	Crankcase Casting Deck	1
4	NR	Cap Bearing Crankshaft Front	3
5	NR	Cap Bearing Crankshaft Rear	1
6	4812333346	Bolt Main Bearing Cap	8
7	4812333347	Washer Main Bearing Cap Bolt	8
8	4812333361	Bush Camshaft Front Bimetal	1
8	4812333367	Bush Camshaft Front Meanon	1
9	4812333261	Bush Camshaft center	1
10	4812333337	Bush Camshaft Rear	1
11	4812333248	Pin Dowel Crankcase Front 3/8 × 1"	2
12	4812333310	Stud Water Pump Mounting	4
*	4812333430	Dipstick Assy.	1
*	4812333432	ASSY DIPSTICK TUBE & ADAPTOR	1
14	4812333295	Pin Dowel Rear Oil Seal Retainer 5/16" × 1	2
15	4812333362	Pin Dowel Crankcase Rear	2
16	4812333292	Plug Headless Pipe Slootted 1 1/8" NPT	2
17	4812333257	Plug Water Drain 1/4" Brass	1
18	4812333352	Stud Starter Motor Mounting	1
19	4812333308	Plug Headless Pipe Slootted 1 1/8" NPT	2
21	4812333351	Pin Dowel Cylinder Head Mounting	2
22	4812333298	Plug Expansion Crankcase Rear 1-3/4"	1
23	4812333148	Gasket Retainer Rear Oil seal	1
24	4812333338	Retainer Crankshaft Rear Oil seal	1
	NR	Comprimising of	-
25	4812333338	Retainer	1
26	4812333149	Seal Oil Gasket Rear	1
27	4812333437	Bolt Retainer Mounting	7
28	4812333326	Washer retainer Bolt Mtg	7
29	4812333150	Gasket Retainer Rear Oil Pan	1
30	4812333373	OIL PAN COMPACT	1
	4812333433	CRANKCASE OIL PAN STRIP (FRONT & REAR)	1
	4812333438	CRANKCASE OIL PAN SIDE STRIP (3CYL)	2
31	4812333376	Bolt Crankcase Oil Pan Mounting	12
32	4812333326	washer Spring Crankcase Oil Pan	12
33	4812333151	gasket Oil Pain Drain Plug	1
34	4812333334	Plug Drain Magnetick	1
35	4812333280	Adaptor Lube Oil Pipe	1
	4812333439	ADAPTOR OIL PRESSURE GAUGE	1
37	4812333152	Starter Motor	1
38	4812333303	Bolt Starter Mtg	2
39	4812333327	Washer 1	3
40	4812333246	Nut 3/8" UNC	1
41	4812333407	Bracket engine MTG front R.H.	1
41	4812333394	Bracket engine Mtg Front RH	1
42	4812333406	Bracket engine MTG. rear L.H.	1
42	4812333395	Bracket engine Mtg Front ( LH)	1
43	4812333379	Bolt 5/8" UNC × 1-3/4" ZP Brakt Mounting	2
44	4812333251	Bolt 5/8" UNC × 1-3/4" ZP Brakt Mounting	1
45	4812333329	Washer 5/8" Spring Lock	4

46	4812333398	Flywheel Hsg	1
47	4812333256	BOLT 1/2UNC X 1.7/8 V	6
48	4812333254	Bolt flywheel Hsg. 1/2" UNC x2.1	1
49	4812333334	WASHER G 12.7 MM SPRING LOCK	7
50	4812333415	Bracket Flywheel Housing	2
51	4812333307	Bolt 1/2" UNC x 1-1/2 Long	8
52	4812333328	washer 1/2" Spring Lock	8
54	4812333424	Washer Plain	1
-	4812333421	LIFTING BRACKET COMPACT	1

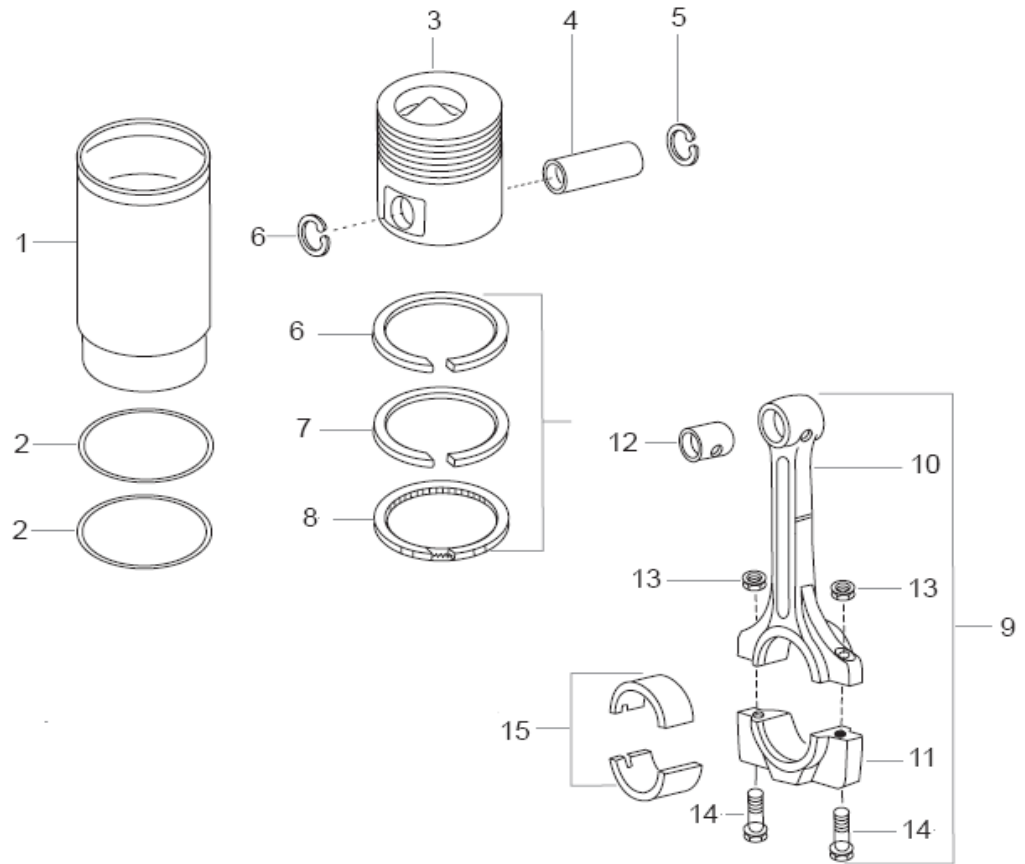
**CRANKSHAFT ASSEMBLY**



## CRANKSHAFT ASSEMBLY

Ref. No.	Part Number	Description	Qty
	4812333397	Bolt crankshaft pulley	1
1	4812333272	Nut Crankshaft	1
*	4812333396	Spacer Crankshaft	1
2	4812333273	WASHER Crankshaft Nut	1
3	4812333414	Pulley Fan Drive (3Cyl.)	1
4	4812333154	Pinion crank shaft	1
6	4812333153	Crankshaft Complete	1
7	4812333287	pin dowel	1
8	4812333304	key woodruff1/4 3/4	2
9	4812333155	Set bearing C/Shaft	1
	NR	Comprimiting of	
10	4812333366	Set bearing C/Shaft Main front (std Gmh	3
	NR	Comprimiting of	-
10a	4812333353	Bearing C/Shaft Main F/C Top std.	3
10b	4812333354	Bearing C/Shaft Main F/C Botom std.	3
11	NR	Bearing C/Shaft Main Rear std.	
11a	4812333355	Bearing C/Shaft Main Rear TOP std.	1
11b	4812333356	Bearing C/Shaft Main Rear Bottom std.	1
12	4812333429	FLYWHEEL ASSY	1
13	4812333313	Gear Ring Flywheel	1
14	4812333316	Bolt Flywheel Mounting	6
	4812333156	OIL SEAL CRANKSHAFT FRONT	1
	4812333157	OIL SEAL CRANKSHAFT REAR	1

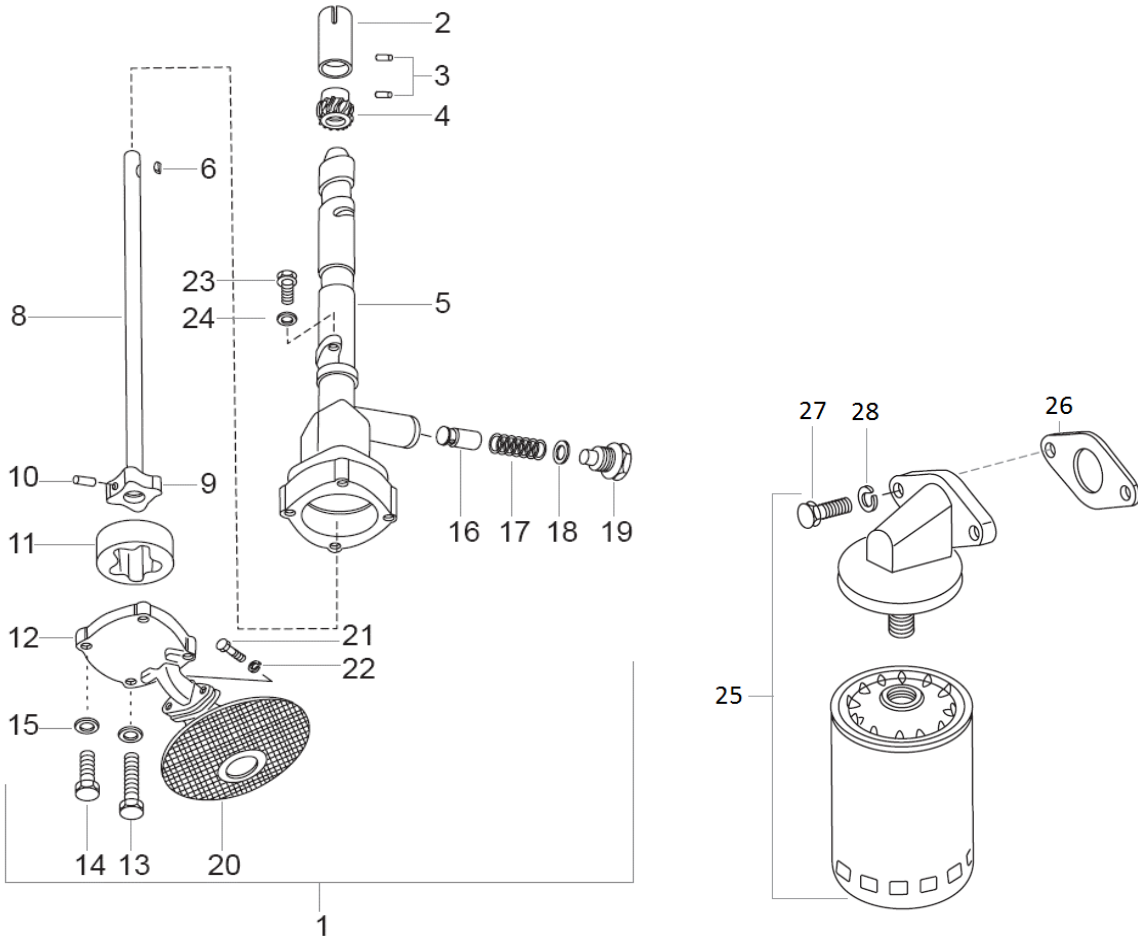
**SLEEVE, PISTON & CONNECTING ROD**



## SLEEVE, PISTON & CONNECTING ROD

Ref. No.	Part Number	Description	275TU
1	4812333158	Sleeve Cylinder	3
2	4812333159	O' Ring Sleeve Cylinder (Upper) BLUE	6
3	4812333160	PISTON BS-III DIA 88.9 MDI	3
4	4812333161	Piston Pin	3
5	4812333162	Circlip Piston Pin	6
6	4812333163	PISTON RING TOP (GOETZE INDIA)	3
7	4812333164	PISTON RING SECOND (GOETZE IND)	3
8	4812333165	PISTON RING OIL CONTROL (GOETZ	3
9	4812333416	ASSY. CONNECTING ROD	3
10	NR	Rod connecting cpte.	3
11	NR	Cap connecting Rod	3
12	4812333360	Bush Small End Bi-metal	3
12	4812333282	Bush Small End	3
13	NR	Nut Connecting Rod	6
14	NR	Bolt Connecting Rod (255)	6
15	4812333166	Bearing connecting rod Complete	6

### LUBRICATION SYSTEM (OIL PUMP)

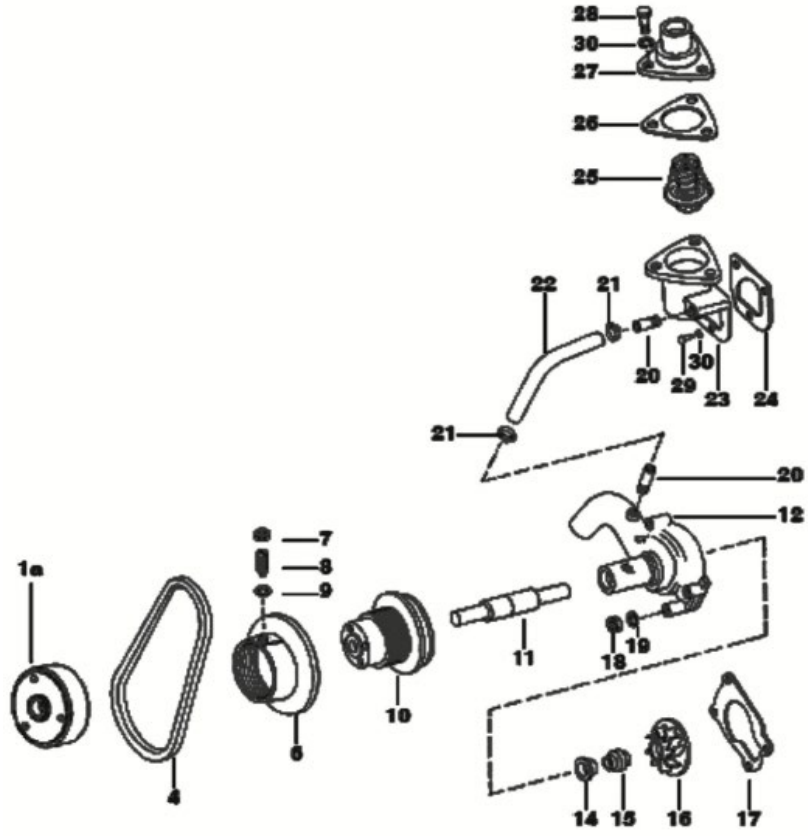


## SLEEVE, PISTON & CONNECTING ROD

Ref. No.	Part Number	Description	275TU
1	4812333167	Pump Lub Oil Complete	1
2	4812333344	Coupling Hour meter Drive	1
3	4812333317	Pin Roll	2
4	4812333312	Pinion Oil Pump Drive	1
5	NR	Body Oil Pump	1
6	NR	key Woodruff 1/8 × 5/8	1
7	NR	Rotor & Shaft Assy.	1
8	NR	Shaft Oil Pump	1
9	NR	Rotor Inner Pump	1
10	NR	Pin Groove	1
11	NR	Rotor Outer	1
12	NR	Cover Oil Pump	1
13	NR	Bolt Cover To Body 1/4UNC×1 1/4 S	2
14	NR	Bolt Cover To Body 1/4UNC×1	2
15	4812333291	Washer Spring Cover To Body 1/4"	4
16	4812333335	Plunger Relief Valve	1
17	4812333330	Spring Relief valve	1
18	4812333151	COPPER WASHER	1
19	4812333333	Retainer Cap Cover	1
5	4812333419	PUMP LUB OIL CPTÉ	1
20	4812333418	Screen Oil Pump Assy.	1
20	4812333253	Screen Oil Pump Assy.	1
21	4812333299	Bolt screen Cover 1/4" UNC × 1/2" HX HD	2
22	4812333325	Washer Spring 1/4" lock	2
23	4812333303	Bolt Oil Pump Mtg.	1
24	4812333327	Washer Spring Lock	1
25	4812333385	FILTER Assy Spin on W/ Adaptor (Dispensable Type)	1
	4812106131	FILTER Assy. Spin-On (Pre Run)	1
	4812333386	ADAPTOR for Filter Spin on	
26	4812333322	Gasket for oil filter	1
27	4812333303	Bolt 3/8" UNC × 1-1/8 Hex	2
28	4812333327	Washer 3/8" Spring Lock	2



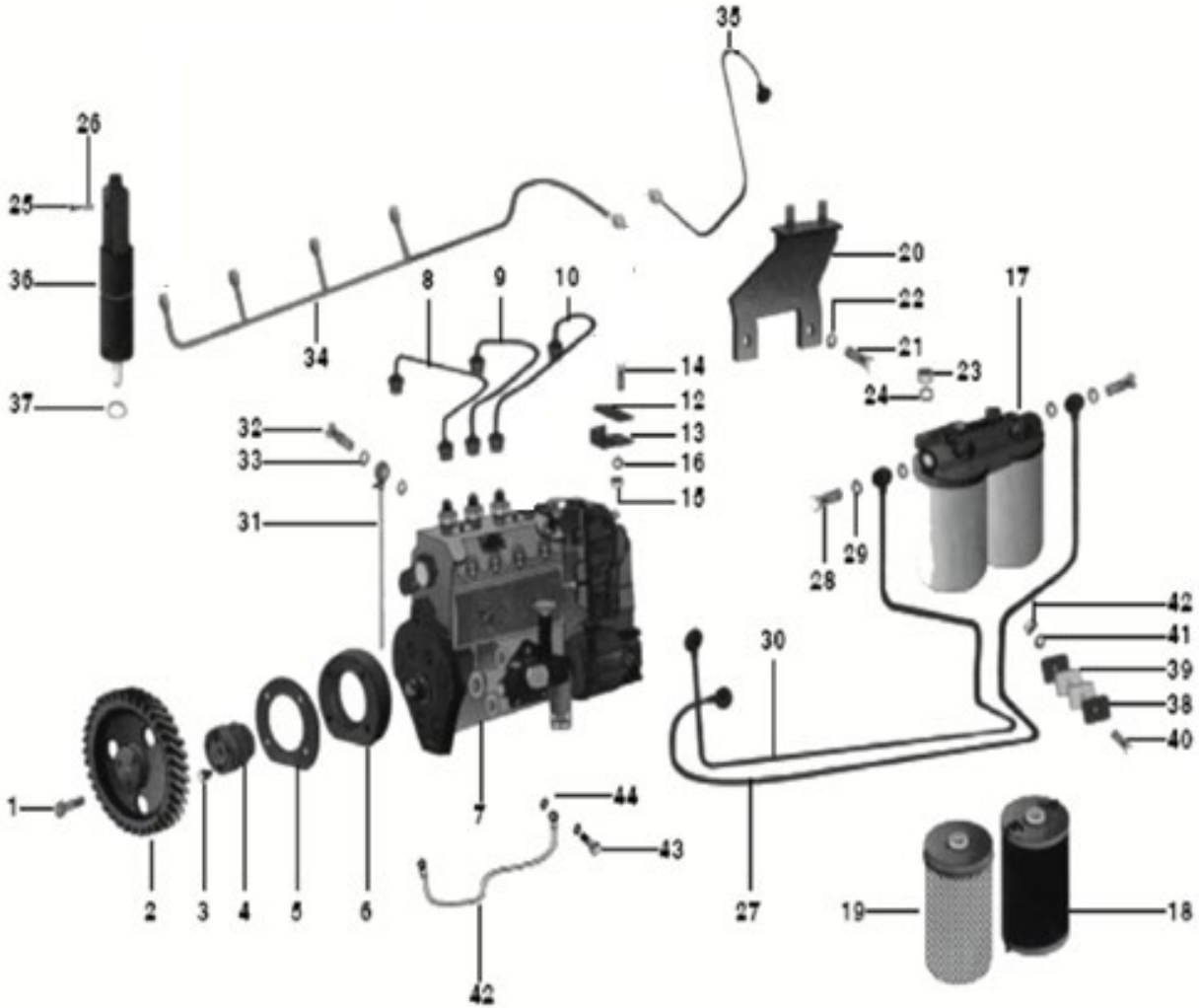
**COOLING SYSTEM**



## COOLING SYSTEM

Ref. No.	Part Number	Description	Qty
1a	4812333428	Spacer fan	1
4	4812333123	Belt fan (Hilton)	1
5	4812333168	Pump water cpte (autolek)	1
	NR	Comprimising of	-
6	NR	Flange Water pump	1
7	NR	Nut Pulley Locking Screw	1
8	NR	screw Headless (Dog Point)	1
9	NR	Washer Star	1
10	NR	Hub water Pump	1
11	NR	bearing Water Pump	1
12	NR	Body Water Pump	1
13	NR	Clip Water Pump (spout)	1
14	NR	Slinger (u 5552 663 R1)	1
15	4812333368	Seal Assy (Kaco)	1
16	NR	Impller	1
17	4812333169	Gasket Water Pump	1
18	4812333246	Nut Water Pump 3/8" UNC	4
19	4812333327	Washer Spring Lock 3/8"	4
20	4812333348	Tube Thermostat Bypass	2
21	4812333384	Clip Bypass Thermostat Hose	2
22	4812333410	Hose Thermostat Bypass	1
23	4812333409	Housing Thermostat	1
24	4812333170	Gasket Thermostat Housing	1
25	4812333171	Thermostat St. Steel	1
26	4812333172	Gasket Thermostat Housing Cover	1
27	4812333349	Cover Thermostat Housing	1
28	4812333283	Bolt Thermostat Housing Mounting M8 × 1.25×22	3
29	4812333391	Bolt Thermostat Housing Mounting (With Hole)	3
30	4812333326	Washer 5/16" Sp. Lock Thermostat Cover Mtg	6

**FUEL INJECTION SYSTEM**



## FUEL INJECTION SYSTEM

Ref. No.	Part Number	Description	Qty
1	4812333392	Bolt F.I.P Gear Mounting M8 × 1.25 ×20	3
2	4812333431	Gear injection pump	1
3	4812333315	Pin Dowell Injection	1
4	4812333281	Spigot Adaptor	1
5	4812333276	GASKET INJECTIO PUMP GEAR	1
6	4812333417	FIP FLANGE PLATE	1
7	4812333173	FUEL INJ PUMP MDI1895B-275TU	1
8	4812333403	PIPE HIGH PRESSURE 1st - 1.8 m	1
9	4812333404	PIPE HIGH PRESSURE 2nd (1.8 mm)	1
10	4812333405	PIPE HIGH PRESSURE 3rd (1.8 mm)	1
12	4812333277	Clamp Injector Pipe Male	2
13	4812333278	Clamp Injector Pipe female	2
14	4812333279	Bolt Injector Pipe ClampM6 × 16	2
15	4812333341	Nut Injector Pipe Clamp M6 × 1	2
16	4812333342	Washer Spring Injector	2
17	4812333332	ASSY. FUEL FILTER	1
18	4812333120	Fuel Filter Primary	1
19	4812333121	Fuel Filter Secondary	1
20	4812333393	Bracket Fuel filter Mounting	1
21	4812333283	Bolt Fuel Filter Mounting Bracket M8 × 1.25 ×22	2
22	4812333319	WASHER M8 SPRING LOCK	2
23	4812333357	Nut fuel Filter Mounting M12 × 1.75	2
24	4812333293	Washer Spring filter Mounting 1/2"	2
25	4812333286	Bolt Banjio Spill Pipe	3
26	4812333285	washer Copper Spill Pipe	6
27	4812333174	Pipe Feed Pump To Filter	1
28	4812333340	Bolt Banjio Feed Pump To Filter Pipe M8 ×2.5	4
29	4812333175	washer Copper feed Pump To Filter Pipe	8
30	4812333176	Pipe Filter To F.I.P	1
32	4812333320	BOLT BANJIO M8 X1	1
33	4812333321	WASHER COPPER BANJIO BOLT FUEL PIPE	2
34	4812333177	pipe Spill-	1
35	4812333178	pipe Cpte Fuel Overflow For Genset	1
36	4812333179	injector Complete With Nozzle	3
37	4812333422	injector Complete With Nozzle	-
37	4812333180	Washer Injector To Nozzle	3
38	4812333323	Plate Clamp For Fuel Pipes	2
39	4812333324	Pad Felt clamp Plates	2
40	4812333301	Bolt Plate Clamping 1/4 UNC × 1-1/4S	2
*	4812333359	BRACKET FUEL PIPE SUPPORT	1
41	4812333325	Washer Spring Plate clamping1/4"	2
42	4812333184	PIPE CPTe LUB OIL TO FIP	1
42	4812333420	PIPE CPTe LUB OIL TO FIP	1
43	4812333220	Water Separator	1

---

**INSTRUMENTS AND ELECTRICALS**

## INSTRUMENTS AND ELECTRICALS

Ref. No.	Part Number	Description	Qty
-	4812333181	High temp safety switch	1
-	4812333182	VDO OIL PRESSURE SENSOR CUM SWITCH	1
-	4812333436	ADAPTER OIL PRESSURE GAUGE	1
-	4812109747	SOLENOID FOR INDUSTRIAL APPLICATION-3DI	1





[www.dynapac.com](http://www.dynapac.com)

Dynapac road construction India Pvt Ltd.

Pune, India.