

PARTS CATALOGUE

DRS120DS Soil Roller



SERIAL NUMBER:
10300200LLE011595

ENGINE:
Dynapac- 4R1040T



DRS120DS S/N 10300200JNE011595-

DRS120DS 10300200JNE011595- 1

Service kits

4812331803 Service kit 50h 3
4812331200 Service kit 50h with oil 5
4812331777 Service kit 500h 7
4812331201 Service kit 500h with oil 9
4812331778 Service kit 1000h 11
4812331202 Service kit 1000h With Oil 13
4812331203 Start Up kit with Oil 15
4812331176 Start Up kit 17

Repair kits

4812331890 Shock absorber kit, drum

4812331890 Shock absorber kit, drum 19

4812331701 Shock absorber kit, Drum From machine sr No - E012882

4812331701 Shock absorber kit, drum 21

4812331891- Eccentric shaft kit

4812331891 Eccentric shaft kit 23

4812331892 Drum rotation kit

4812331892 Drum rotation kit 25

4812331893 Steering hitch kit

4812331893 Hitch module kit 27

Frame

Frame 29

Frame

Frame assembly 31

Scraper and beam

Scraper and Beam 34

Hitch

Hitch module 37

Structure

Hood assembly 39

Drum

Drum 42

Drum Gear

Gear Box assembly 4812330906 47

Drum Drive motor 4812109729

Hydraulic motor 50

Shaft Assembly

Shaft Assembly 53

Body Assembly

Body Assembly 55

Distribution assembly	
Distribution assembly	57
Rotor assembly	
Rotor assembly	59
Engine	
Engine	61
Diesel engine	
Engine assembly	63
Cooling system	
Cooling system	65
Combustion air system	
Air cleaner assembly	68
Fuel system	
Fuel System	71
Exhaust system	
Exhaust system	73
Transmission	
Rear axle and wheels Upto machine sr no - E012246	
Rear Axle module	75
Rear axle	
4812109226 Rear axle	77
Axle housing	
Axle Housing	79
Bevel gear set	
Bevel gear set	81
Differential	
DIFFERENTIAL	83
Brakes	
BRAKES	85
Wheel hub	
WHEEL HUB	87
Final Reduction	
Final reduction	89
Rear axle and Wheels from machine Sr no - E012247	
Rear Axle & wheel	91
4812128803 Rear axle	93
Differential	95
Central Housing	97
Hub Reduction	99
Brake	101
Hydraulic system	

Hydraulic system	103
Propulsion system	
Hydraulic propulsion system	105
Hydraulic pump - 4812129000	
Hydraulic pump	108
Hydraulic motor-4812128951	
Propulsion Motor Module	122
Propulsion Motor assy	125
Shaft assy	127
Body assy	129
Distributor assy	131
Rotor assy	133
Flushing valve assy	135
Vibration system	
Vibration system	137
Hydraulic Motor-4812109481	
HYdraulic Motor	139
Steering system	
Steering system	142
4812105681 Steering valve	
Steering Valve	146
4812109516 Steering cylinder	
4812109516 Steering cylinder	149
Brake system	
Hydraulic brake CA305D	151
Hydraulic oil tank	
Hydraulic Oil tank Module	153
Electrical equipment	
Electrical equipment	155
Electric system	
Electric system	157
Driving Light Mount	
Driving light Mount	160
Control panel	
Control panel	163
Working light mount	
Working Lights	166
Back up alarm mount	
Back Up alarm	169
Drivers platform	
Drivers platform	171
Drivers platform	

Drivers platform module	173
Throttle control	
Throttle control	175
Forward and Reverse control	
FNR lever assembly	177
Steering column	
Steering column	179
Rear mirror	
Rear mirror	181
Canopy	
Canopy Module	183
Decals	
Decals	185
Standard equipment	
Standard equipment	193
Standard equipment	
Standard equipment	195
Tool equipment	
Tool equipment	197
Optional equipment	
Optional equipment	199
Dyn@link- Only for field machine	
Field kit - Dyn@link 4812333506	201
Compaction Meter	
Compaction meter	203

DRS120DS S/N 10300200JNE011595- DRS120DS 10300200JNE011595-

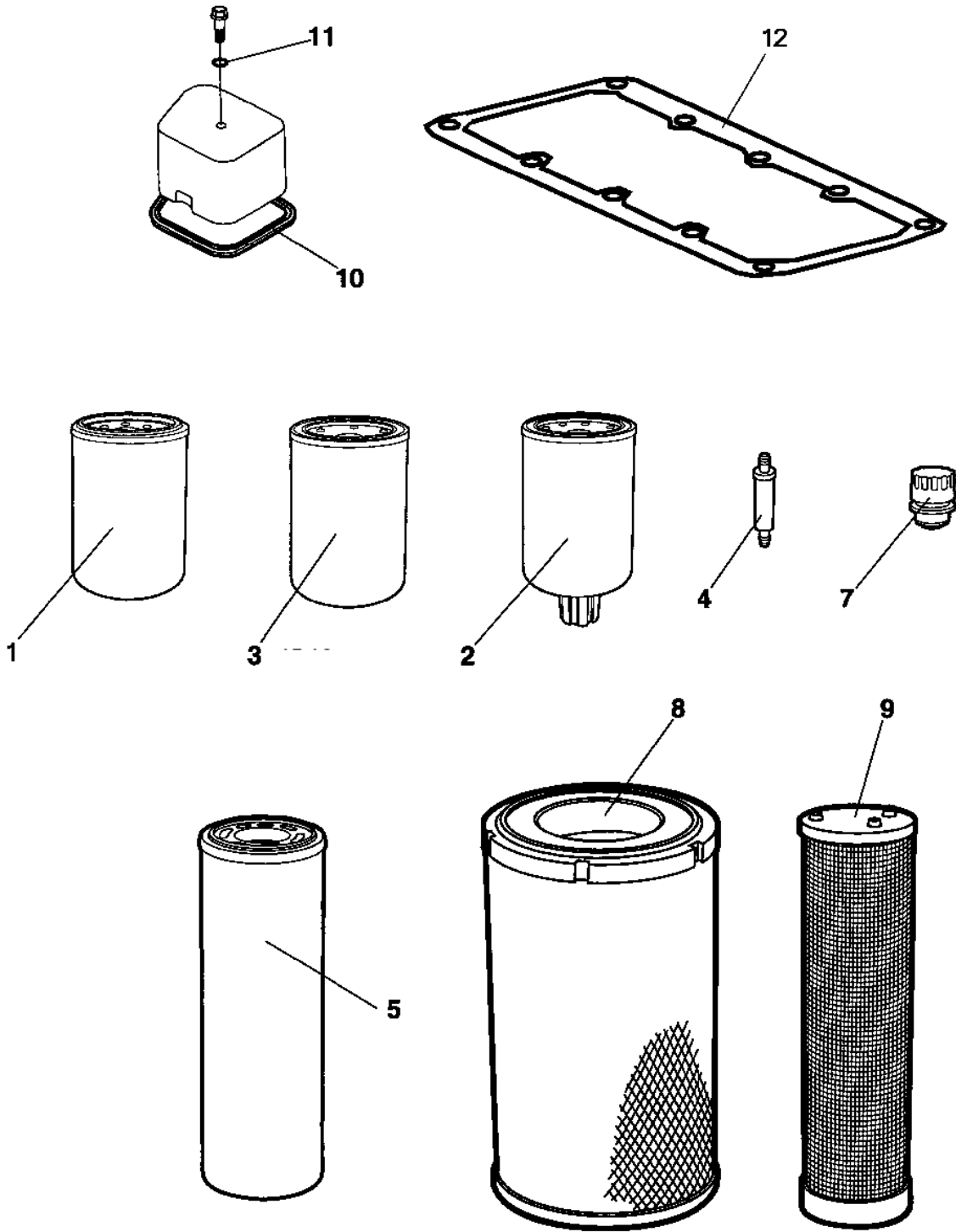


Refer to Parts Online for the most up to date information. The printed information might be outdated.

Mon Jun 17 09:44:27 UTC 2024

Item	Part No.	Name	Qty	L
1	-	Service kits	1	
2	-	Repair kits	1	
3	-	Frame	1	
4	-	Drum	1	
5	-	Engine	1	
6	-	Transmission	1	
7	-	Hydraulic system	1	
8	-	Electric system	1	
9	-	Operator platform	1	
10	-	Accessories and decals	1	
11	-	Tool kit	1	
12	-	Optional Equipment	1	

Service kits 4812331803 Service kit 50h



Refer to Parts Online for the most up to date information. The printed information might be outdated.

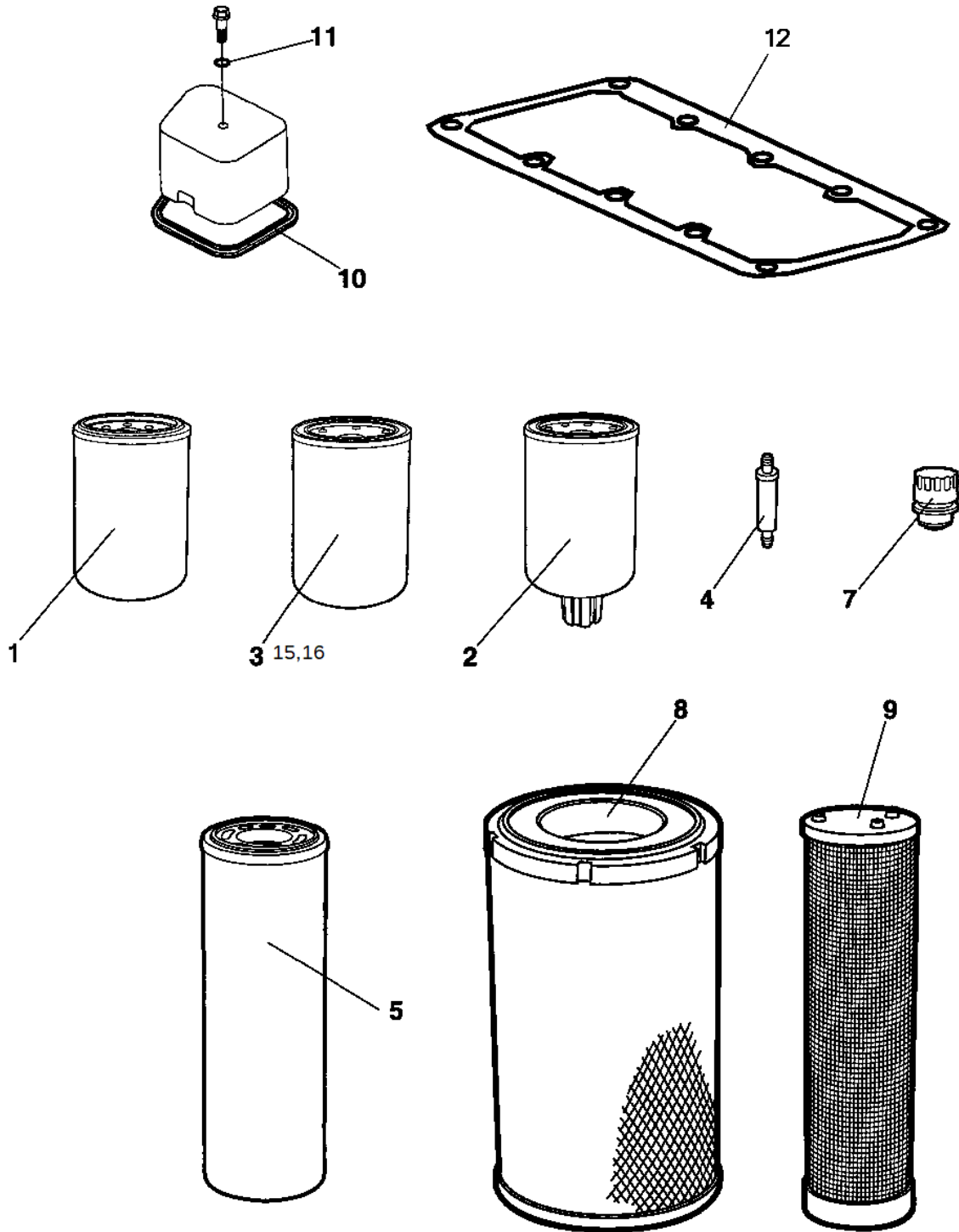
Mon Jun 17 09:44:27 UTC 2024

Item	Part No.	Name	Qty	L
0	4812331803	Service kit 50h		
1	4812331797	Oil filter	1	
2	4812332063	Fuel filter	1	
5	4812112262	Hydraulic oil filter element	1	

Refer to Parts Online for the most up to date information. The printed information might be outdated.

Mon Jun 17 09:44:27 UTC 2024

Service kits 4812331200 Service kit 50h with oil



Refer to Parts Online for the most up to date information. The printed information might be outdated.

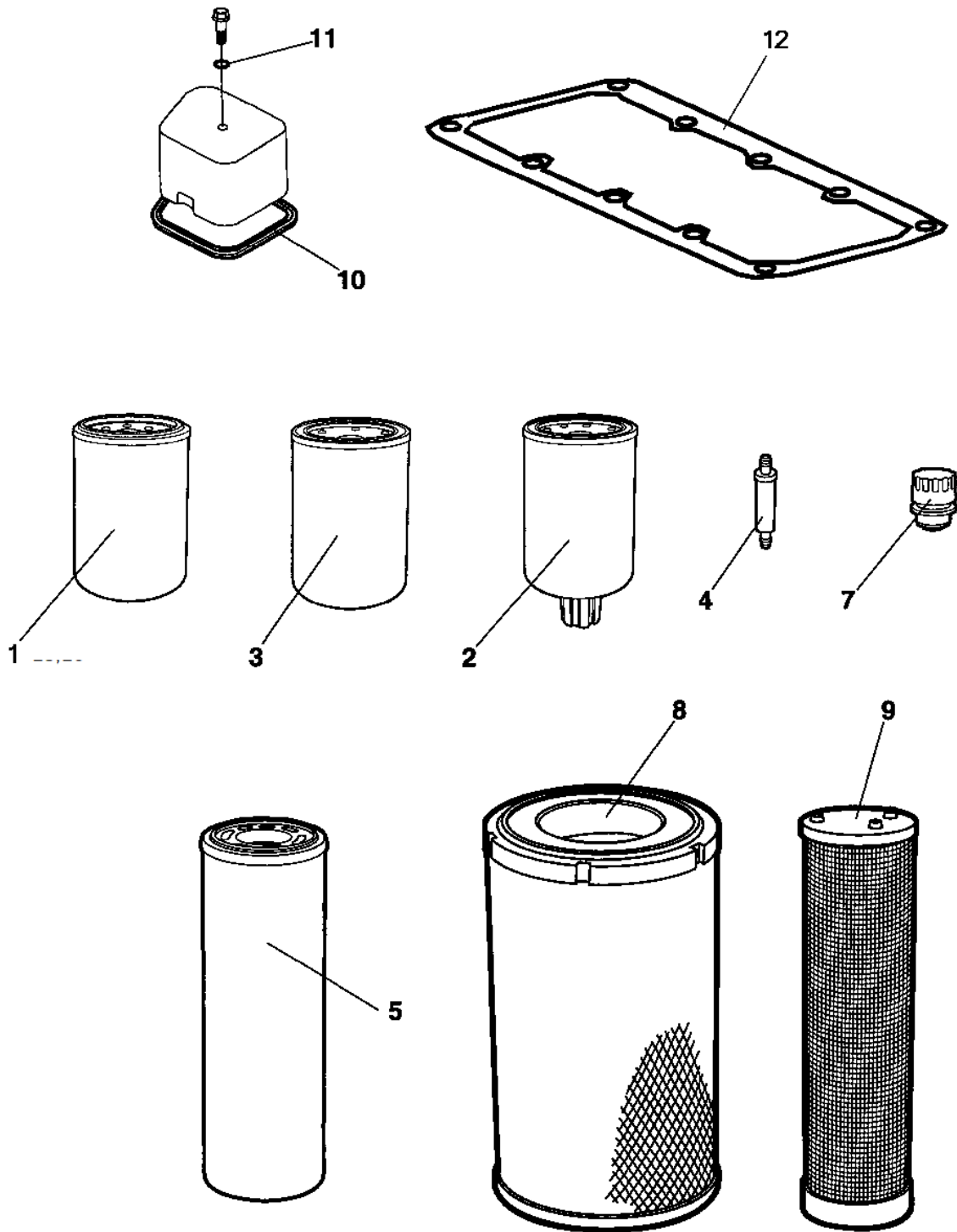
Mon Jun 17 09:44:28 UTC 2024

Item	Part No.	Name	Qty	L
0	4812331200	Service kit 50h With oil		
1	4812331797	Oil filter	1	
2	4812332063	Fuel filter	1	
5	4812112262	Hydraulic oil filter element	1	
13		Dynapac Engine oil 200 / 5 ltrs.	3	
14		Transmission Oil - 5Lits	4	

Refer to Parts Online for the most up to date information. The printed information might be outdated.

Mon Jun 17 09:44:28 UTC 2024

Service kits 4812331777 Service kit 500h



Refer to Parts Online for the most up to date information. The printed information might be outdated.

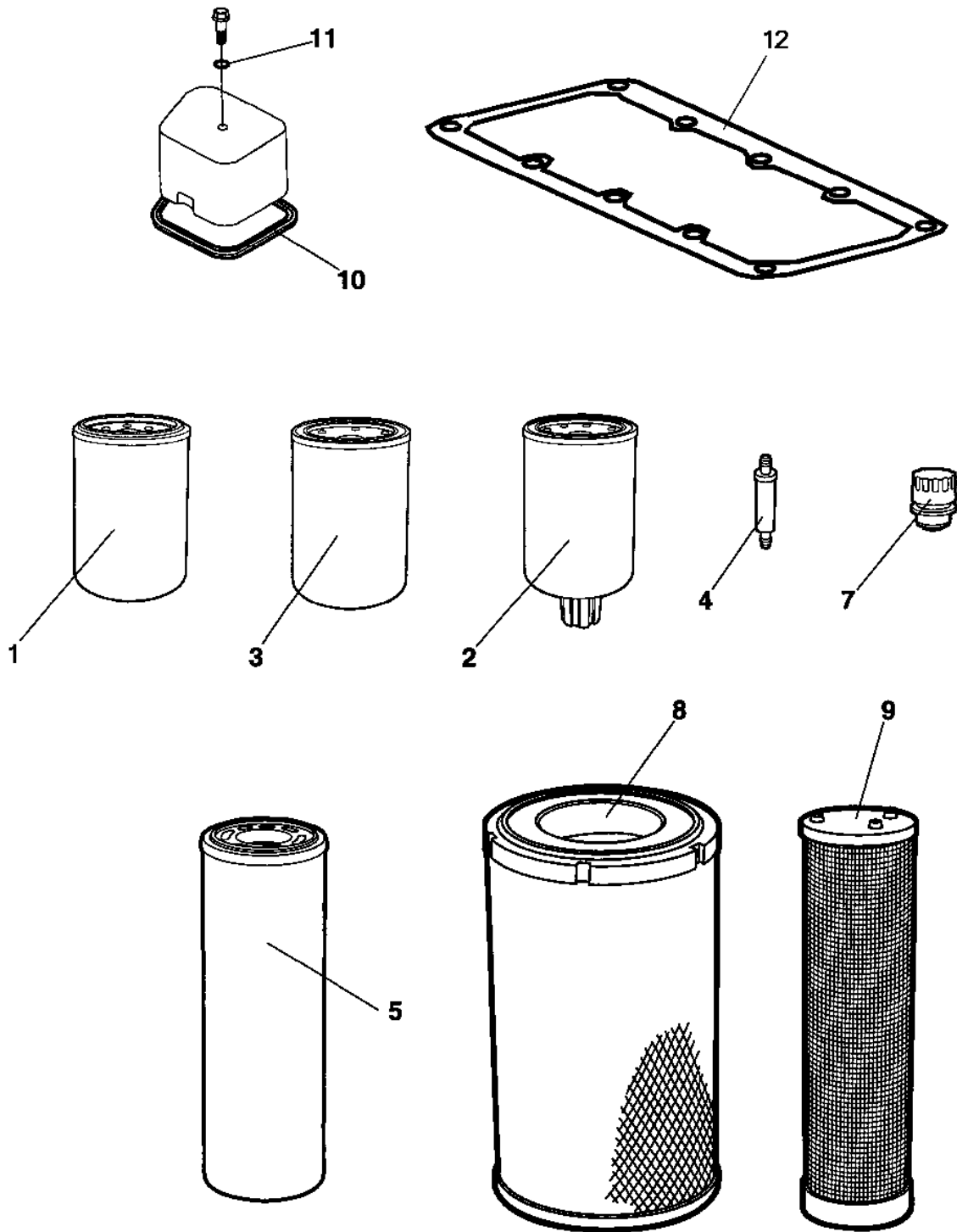
Mon Jun 17 09:44:28 UTC 2024

Item	Part No.	Name	Qty	L
0	4812331777	Service kit 500h		
1	4812331797	Oil filter	1	
2	4812332063	Fuel filter	1	
3	4812332064	Water sperator	1	
8	4812331801	Air filter element main	1	

Refer to Parts Online for the most up to date information. The printed information might be outdated.

Mon Jun 17 09:44:28 UTC 2024

Service kits 4812331201 Service kit 500h with oil



Refer to Parts Online for the most up to date information. The printed information might be outdated.

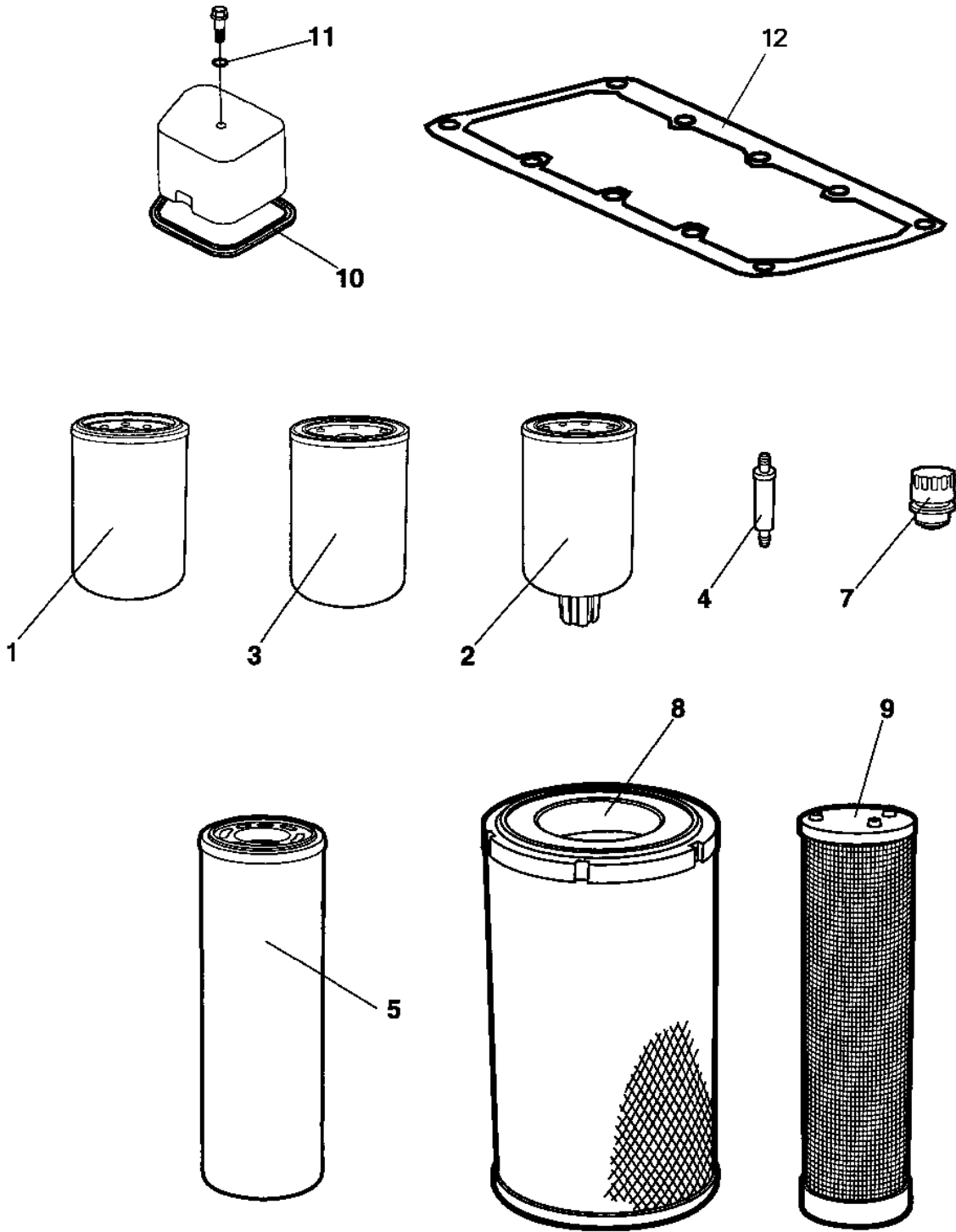
Mon Jun 17 09:44:28 UTC 2024

Item	Part No.	Name	Qty	L
0	4812331201	Service kit 500/1500h With oil		
1	4812331797	Oil filter	1	
2	4812332063	Fuel filter	1	
3	4812332064	Water sperator	1	
8	4812331801	Air filter element main	1	
13		Dynapac Engine oil 200 / 5 ltrs.	3	

Refer to Parts Online for the most up to date information. The printed information might be outdated.

Mon Jun 17 09:44:28 UTC 2024

Service kits 4812331778 Service kit 1000h



Refer to Parts Online for the most up to date information. The printed information might be outdated.

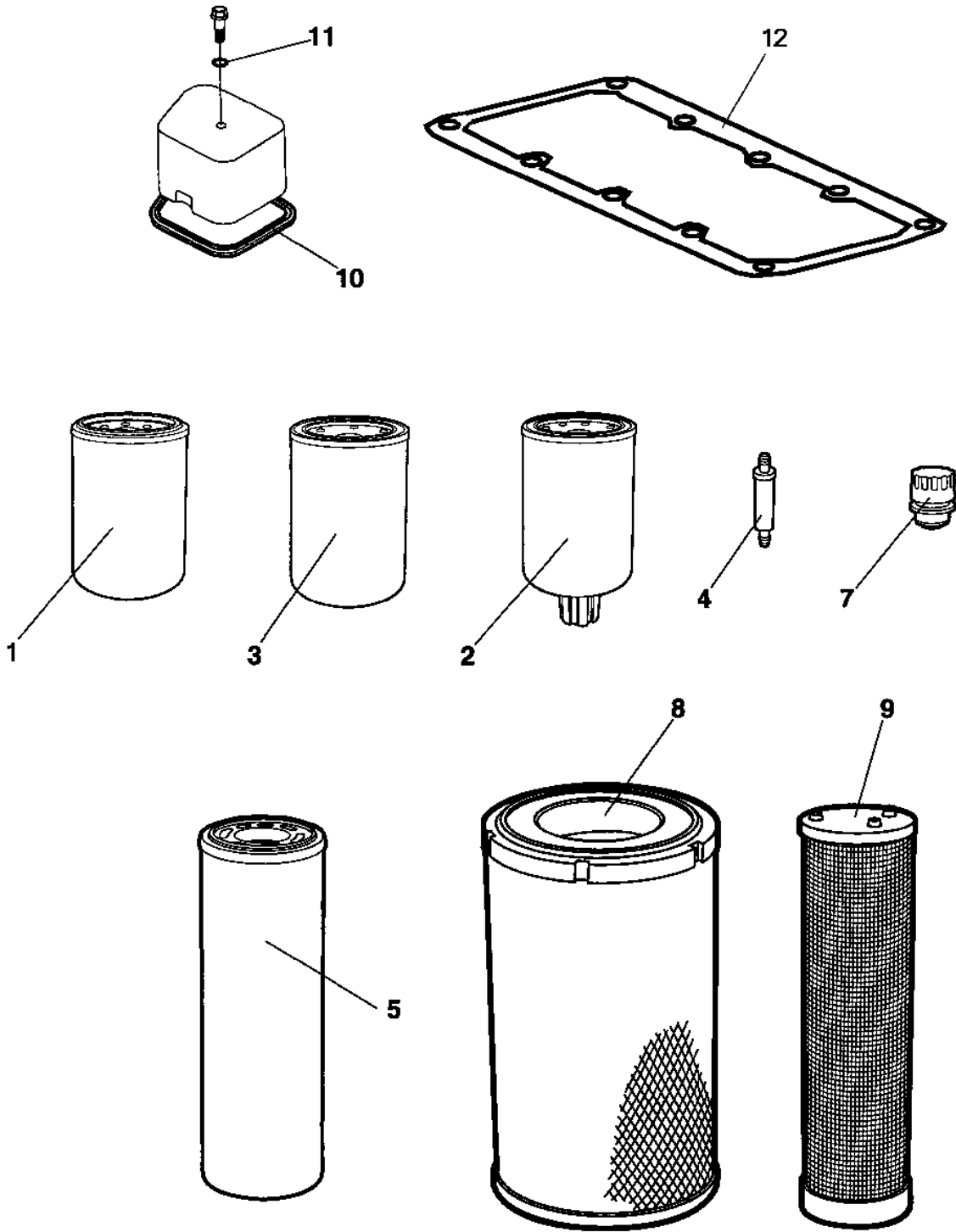
Mon Jun 17 09:44:28 UTC 2024

Item	Part No.	Name	Qty	L
0	4812331778	Service kit 1000h		
1	4812331797	Oil filter	1	
2	4812332063	Fuel filter	1	
5	4812112262	Hydraulic oil filter element	1	
7	4700357138	Ventilating filter	1	
8	4812331801	Air filter element main	1	
9	4812331802	Air filter element Safety	1	
3	4812332064	Water sperator	1	

Refer to Parts Online for the most up to date information. The printed information might be outdated.

Mon Jun 17 09:44:28 UTC 2024

Service kits 4812331202 Service kit 1000h With Oil



Refer to Parts Online for the most up to date information. The printed information might be outdated.

Mon Jun 17 09:44:28 UTC 2024

Item	Part No.	Name	Qty	L
0	4812331202	Service kit 1000h With oil		
1	4812331797	Oil filter	1	
2	4812332063	Fuel filter	1	
3	4812332064	Water sperator	1	
5	4812112262	Hydraulic oil filter element	1	
7	4700357138	Ventilating filter	1	
8	4812331801	Air filter element main	1	
9	4812331802	Air filter element Safety	1	
13		Dynapac Engine oil 200 / 5 ltrs.	3	
14		Transmission Oil - 5Lits	4	

Refer to Parts Online for the most up to date information. The printed information might be outdated.

Mon Jun 17 09:44:28 UTC 2024

Service kits 4812331203 Start Up kit with Oil

**NO DRAWING
AVAILABLE
FOR THIS BOM**

Item	Part No.	Name	Qty	L
0	4812331203	Start up kit with Oil	1	
1	4812331200	Service kit 50h With oil	1	
2	4812331201	Service kit 500/1500h With oil	1	
3	4812331202	Service kit 1000h With oil	1	

Refer to Parts Online for the most up to date information. The printed information might be outdated.

Mon Jun 17 09:44:28 UTC 2024

Service kits 4812331176 Start Up kit

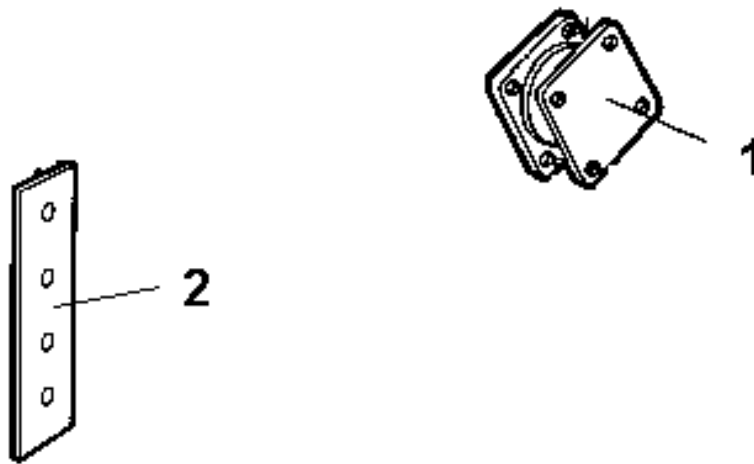
**NO DRAWING
AVAILABLE
FOR THIS BOM**

Item	Part No.	Name	Qty	L
0	4812331176	Start up kit	1	
1	4812331803	Service kit 50h	1	
2	4812331777	Service kit 500h	1	
3	4812331778	Service kit 1000h	1	

Refer to Parts Online for the most up to date information. The printed information might be outdated.

Mon Jun 17 09:44:28 UTC 2024

4812331890 Shock absorber kit, drum 4812331890 Shock absorber kit, drum

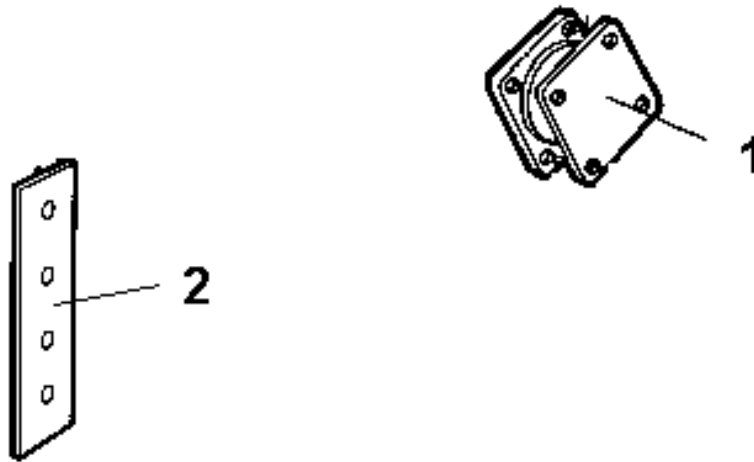


Item	Part No.	Name	Qty	L
0	4812331890	Shock absorber kit, drum		
1	4812106645	Shock absorber	10	
2	4700393276	Shim T = 1.5mm	2	
2	4700393277	Shim T = 3mm	2	
2	4700393278	Shim T = 6mm	2	

Refer to Parts Online for the most up to date information. The printed information might be outdated.

Mon Jun 17 09:44:29 UTC 2024

4812331701 Shock absorber kit, Drum From machine sr No - E012882 4812331701 Shock absorber kit, drum

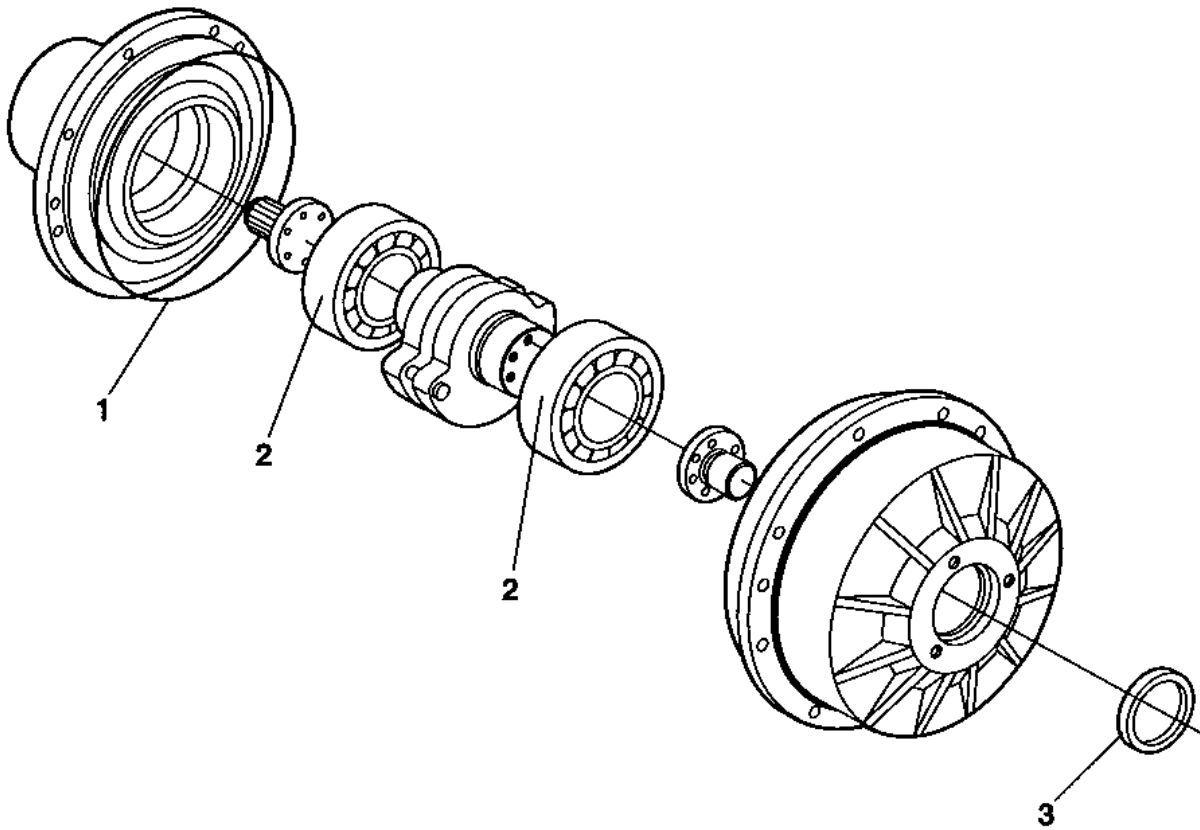


Item	Part No.	Name	Qty	L
0	4812331701	Shock absorber kit, drum		
1	4812106645	Shock absorber	12	
2	4700393276	Shim T = 1.5mm	2	
2	4700393277	Shim T = 3mm	2	
2	4700393278	Shim T = 6mm	2	

Refer to Parts Online for the most up to date information. The printed information might be outdated.

Mon Jun 17 09:44:29 UTC 2024

4812331891- Eccentric shaft kit 4812331891 Eccentric shaft kit



Refer to Parts Online for the most up to date information. The printed information might be outdated.

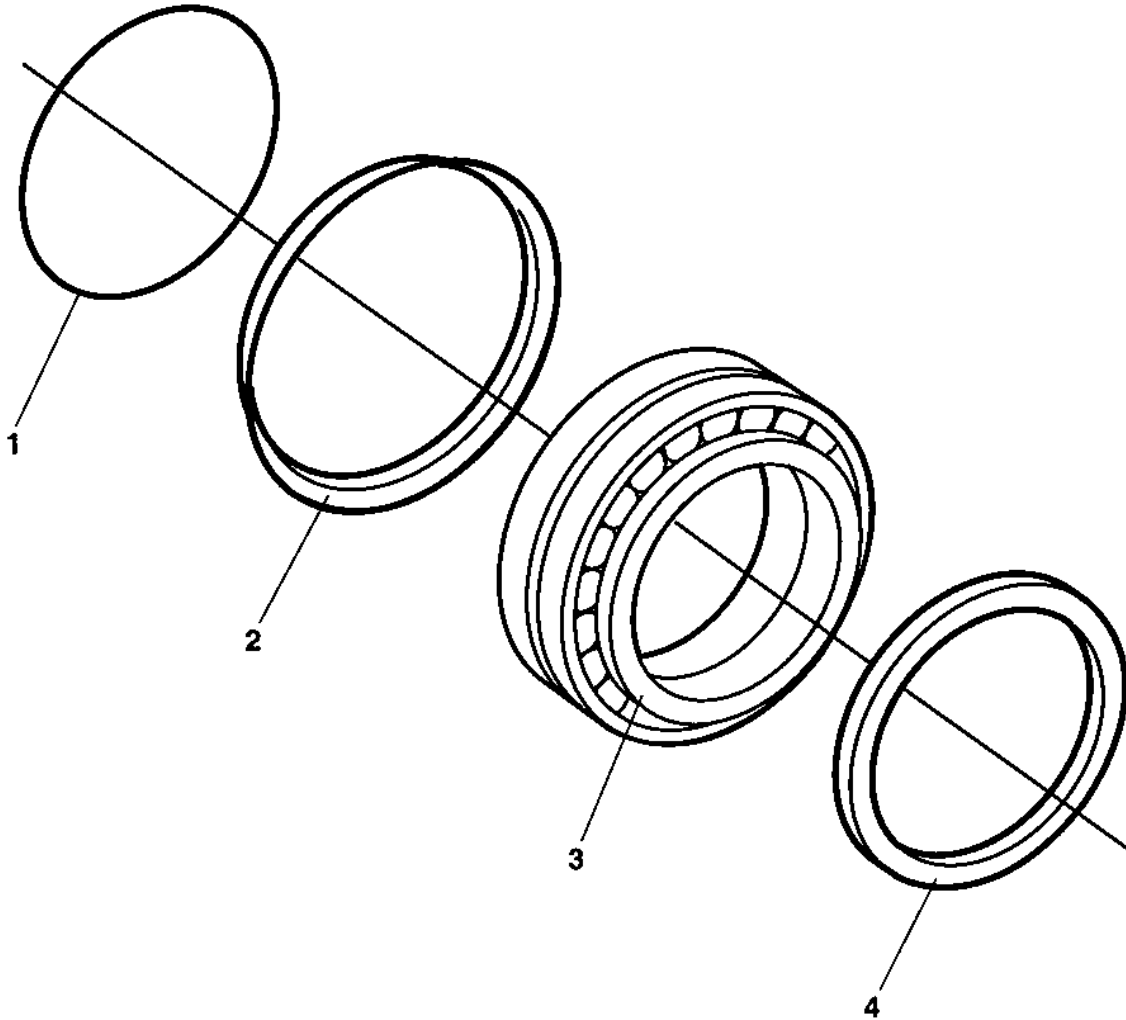
Mon Jun 17 09:44:29 UTC 2024

Item	Part No.	Name	Qty	L
0	4812331891	Eccentric shaft kit		
1	4700900776	O-ring 70	1	
2	4700390896	Spherical roller bearing	2	
3	4812121209	Radial lip-type seal	1	

Refer to Parts Online for the most up to date information. The printed information might be outdated.

Mon Jun 17 09:44:29 UTC 2024

4812331892 Drum rotation kit 4812331892 Drum rotation kit



Refer to Parts Online for the most up to date information. The printed information might be outdated.

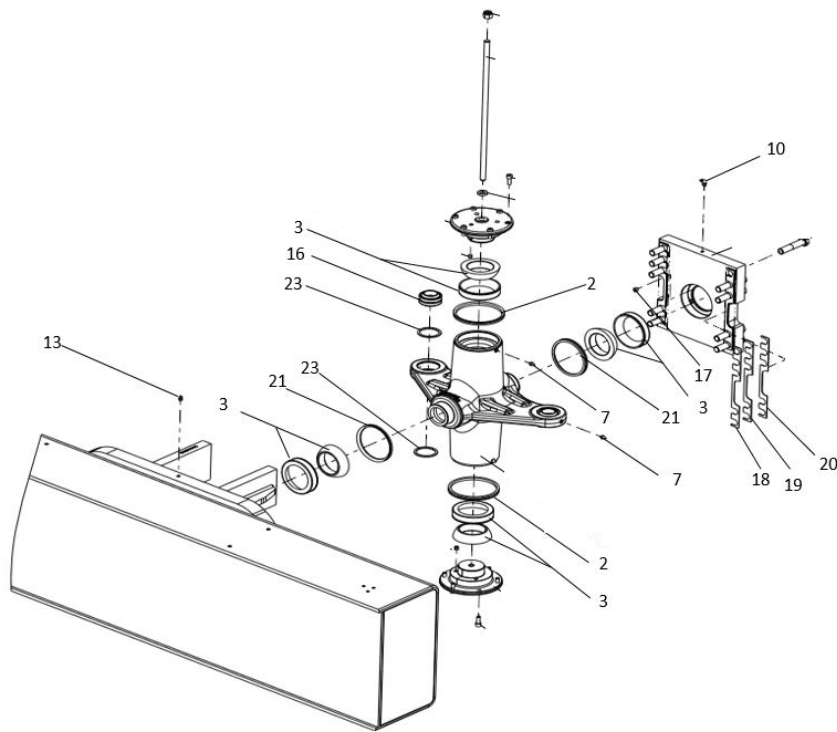
Mon Jun 17 09:44:29 UTC 2024

Item	Part No.	Name	Qty	L
0	4812331892	Drum rotation kit		
1	4700160105	O-ring 70	1	
2	4700929447	Sealing, v-ring	1	
3	4700116041	Taper roller bearing	1	
4	4700167023	Sealing	1	

Refer to Parts Online for the most up to date information. The printed information might be outdated.

Mon Jun 17 09:44:29 UTC 2024

4812331893 Steering hitch kit 4812331893 Hitch module kit



Refer to Parts Online for the most up to date information. The printed information might be outdated.

Mon Jun 17 09:44:29 UTC 2024

Item	Part No.	Name	Qty	L
0	4812331893	Steering Hitch kit	1	
2	4812117495	Sealing, V-ring	2	
3	4700223161	Taper plain bearing	4	
7	4700926214	Lubricant	4	
10	4812129905	Lubricant nipple	1	
13	0544110012	Lubricant nipple	1	
16	4812128753	Radial spherical plain bearing	2	
17	4700910995	Hex.socket set screw	3	
18	4812128679	Shim,0.35mm	0	
19	4812128678	Shim,1mm	0	
20	4812128680	Shim,0.1mm	0	
21	4812128874	Sealing, V-ring	2	
23	4700151023	Retaining ring	4	

Refer to Parts Online for the most up to date information. The printed information might be outdated.

Mon Jun 17 09:44:29 UTC 2024

Frame Frame

**NO DRAWING
AVAILABLE
FOR THIS BOM**

Item	Part No.	Name	Qty	L
10	-	Frame		
30	-	Scraper and beam		
46	-	Scrapers, Urethan Rubber Option		
56	-	Scraper and beam PD		
60	-	Hitch		
70		Structure		
70		Structure		A
80	-	Side covers Option		
85	-	Noise suppression		
90	-	Drum shroud Option		

Comments for Page: Frame

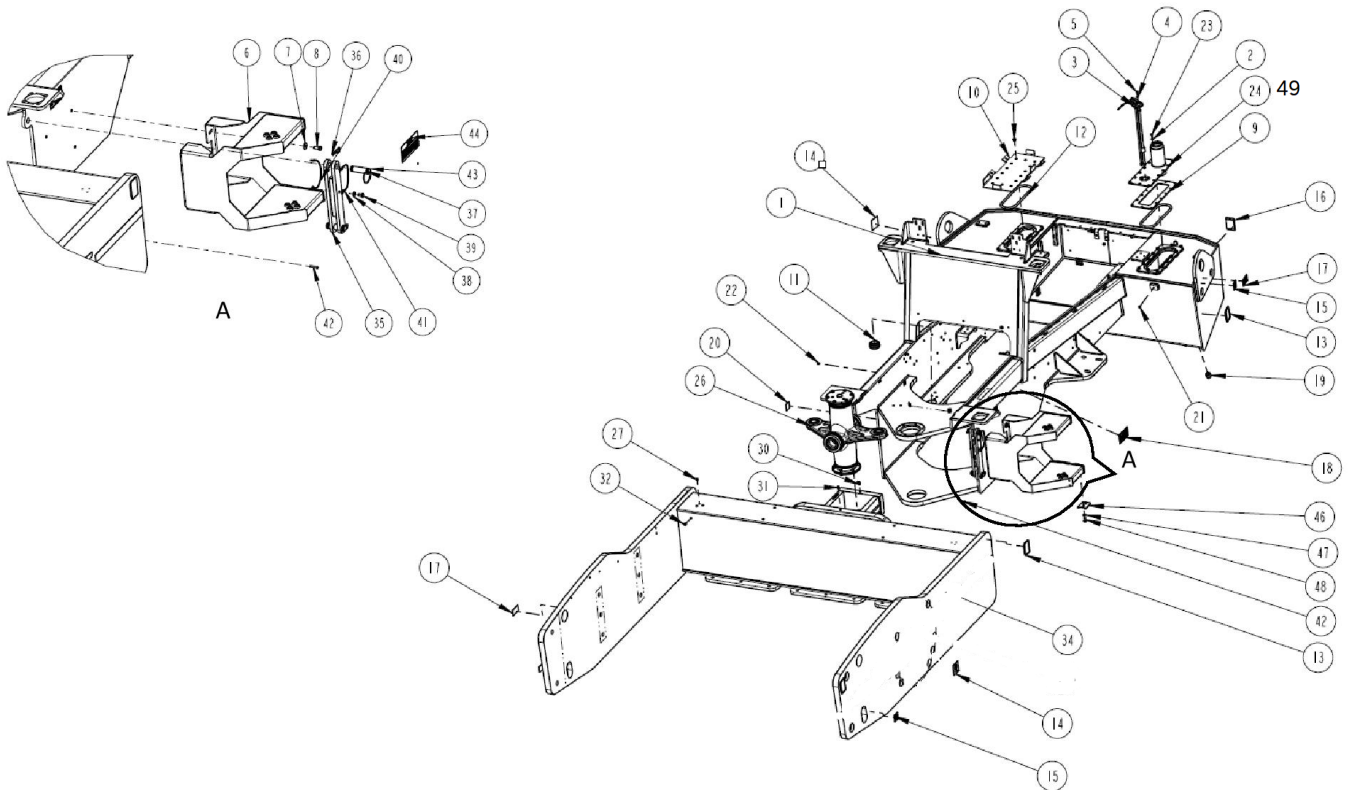
(L)OCAL REMARKS

A | en_US | For new FRP hood

(L)OCAL REMARKS

A | en_US | For new FRP hood

Frame Frame assembly



Refer to Parts Online for the most up to date information. The printed information might be outdated.

Mon Jun 17 09:44:30 UTC 2024

Item	Part No.	Name	Qty	L
1	4812331127	Frame rear	1	
2	4700904229	Steel plain washer	14	
3	4812109356	Fuel level sensor	1	
3	4812331913	Fuel Level Sensor	1	
3	4812129122	Fuel level sensor	1	
4	4700904281	Steel plain washer	5	
5	4700500006	Hexagon head screw	5	
6	4812128600	Step	1	
7	4700904213	Steel plain washer, 13x30x4 mm HV	4	
8	4700947686	Hexagon head screw M	4	
9	4812330115	Gasket	1	
10	4812331865	Cover	1	
11	4812128753	Radial spherical plain bearing	2	
12	4812128967	O-ring	2	
13	4700134149	Reflector- Amber	6	
14	4700588176	Decal lift point	2	
15	4700382751	Decal tie down point	3	
16	4700134150	Reflector- Red	2	
17	4700908229	Safety decal	2	
18	4812125363	Safety decal "Locking during transport"	1	
19	4700813391	Magnetic plug	1	
20	4812103976	GREASE DECAL	1	
21	4700926215	Protective plug	2	
22	4700902919	Protective plug	2	
23	4700500019	Hexagon head screw M	14	
24	4812331952	Fuel tank cover	1	
25	4700929164	Hexagon socket countersunk screw M	14	
26	4812128671	Articulated joint module	1	
27	4700901274	Plug	10	
28	4812128678	Shim,1mm	0	
29	4812128352	Hitch cover	1	
30	4812129905	Lubricant nipple	1	
31	0544110012	Lubricant nipple	1	
32	4700232041	Air breather	1	
33	4812331919	Decal	2	

Refer to Parts Online for the most up to date information. The printed information might be outdated.

Mon Jun 17 09:44:30 UTC 2024

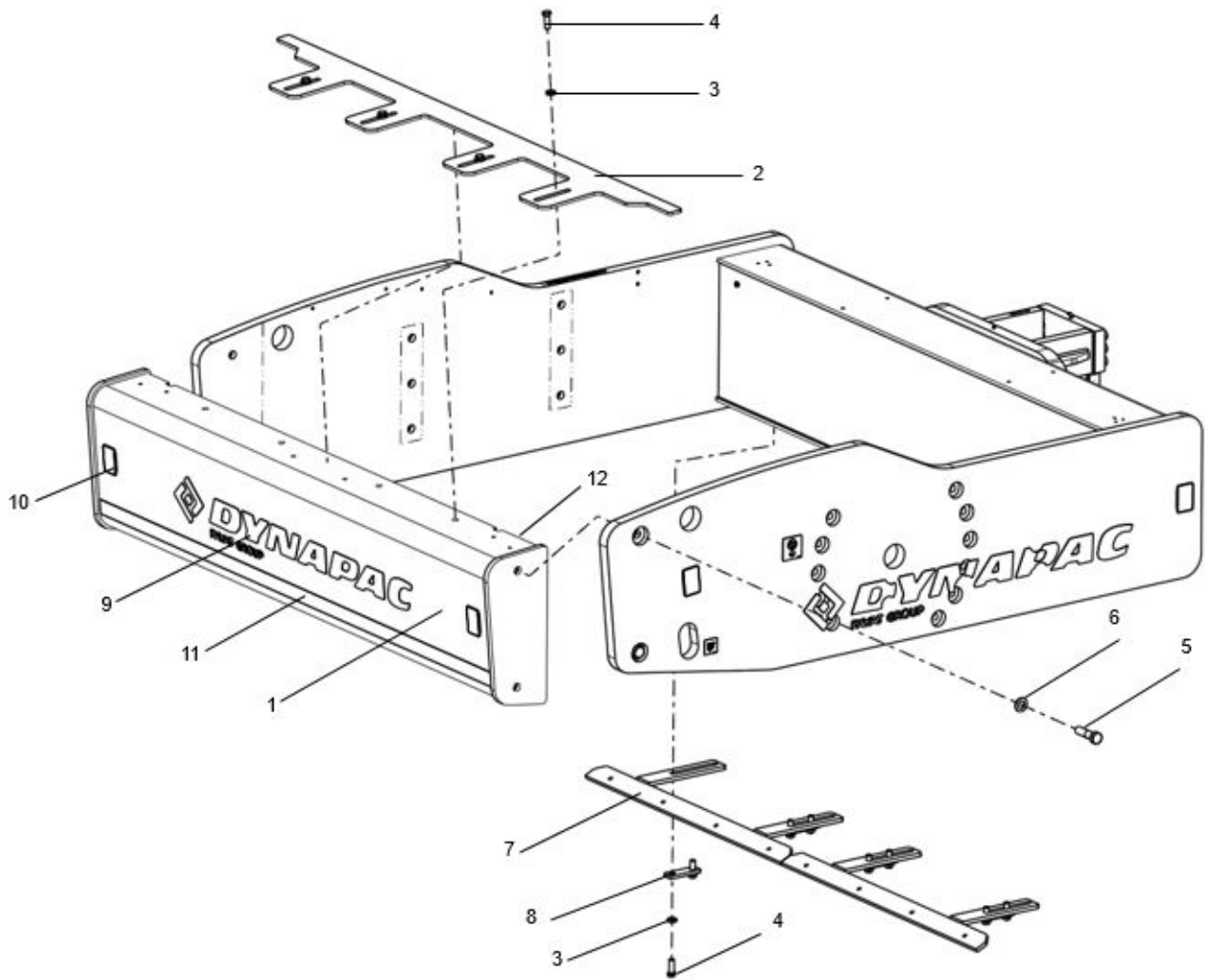
Item	Part No.	Name	Qty	L
34	4812330281	Drum Frame	1	
35	4812129234	Safety lock	1	
36	4700635061	Hair pin	3	
37	4700357488	Spring	1	
38	4700904230	Steel plain washer	2	
39	4700500043	Hexagon head screw M	2	
40	4700343775	Steel wire insulated	1	
41	4700343775	Steel wire insulated	1	
42	4700629029	Spring pin ,slotted	1	
43	4700347119	Shaft	2	
44	4812330411	Pin plate	1	
45	4700624005	Blind rivet	4	
46	4812129866	Bracket	2	
47	4812122654	Steel plain washer	4	
48	4700500048	Hexagon head screw m	4	
49	4812331951	Fuel Stainer	1	

Refer to Parts Online for the most up to date information. The printed information might be outdated.

Mon Jun 17 09:44:30 UTC 2024

This page intentionally left blank

Scraper and beam Scraper and Beam

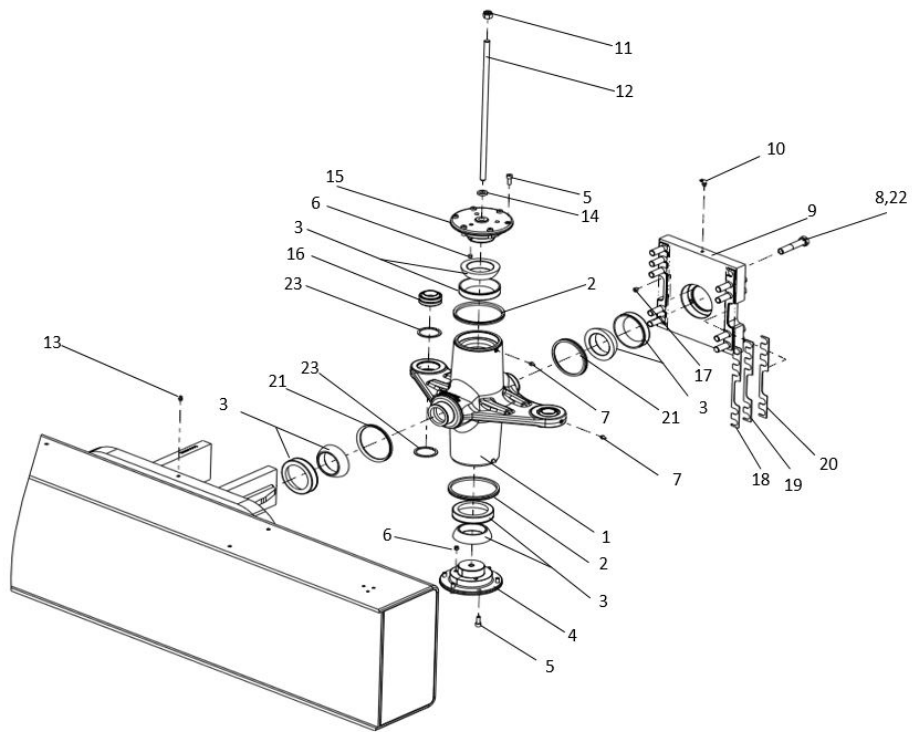


Refer to Parts Online for the most up to date information. The printed information might be outdated.

Mon Jun 17 09:44:30 UTC 2024

Item	Part No.	Name	Qty	L
1	4812330244	Front Cross beam	1	
2	4812110850	Scraper	1	
3	4700904558	Steel plain washer	12	
4	4700500102	Hexagon head screw M	12	
5	4700928230	Hexagon head screw M	4	
6	4700904234	Steel plain washer	4	
7	4812109502	Scraper	2	
8	4700376622	Holder	4	
9	4812127724	Decal DYNAPAC FAYAT 1300 WH	1	
10	4700134139	White reflector	2	
11	4700134189	Radium sticker White	1	
12	4700232041	Air breather	1	

Hitch Hitch module

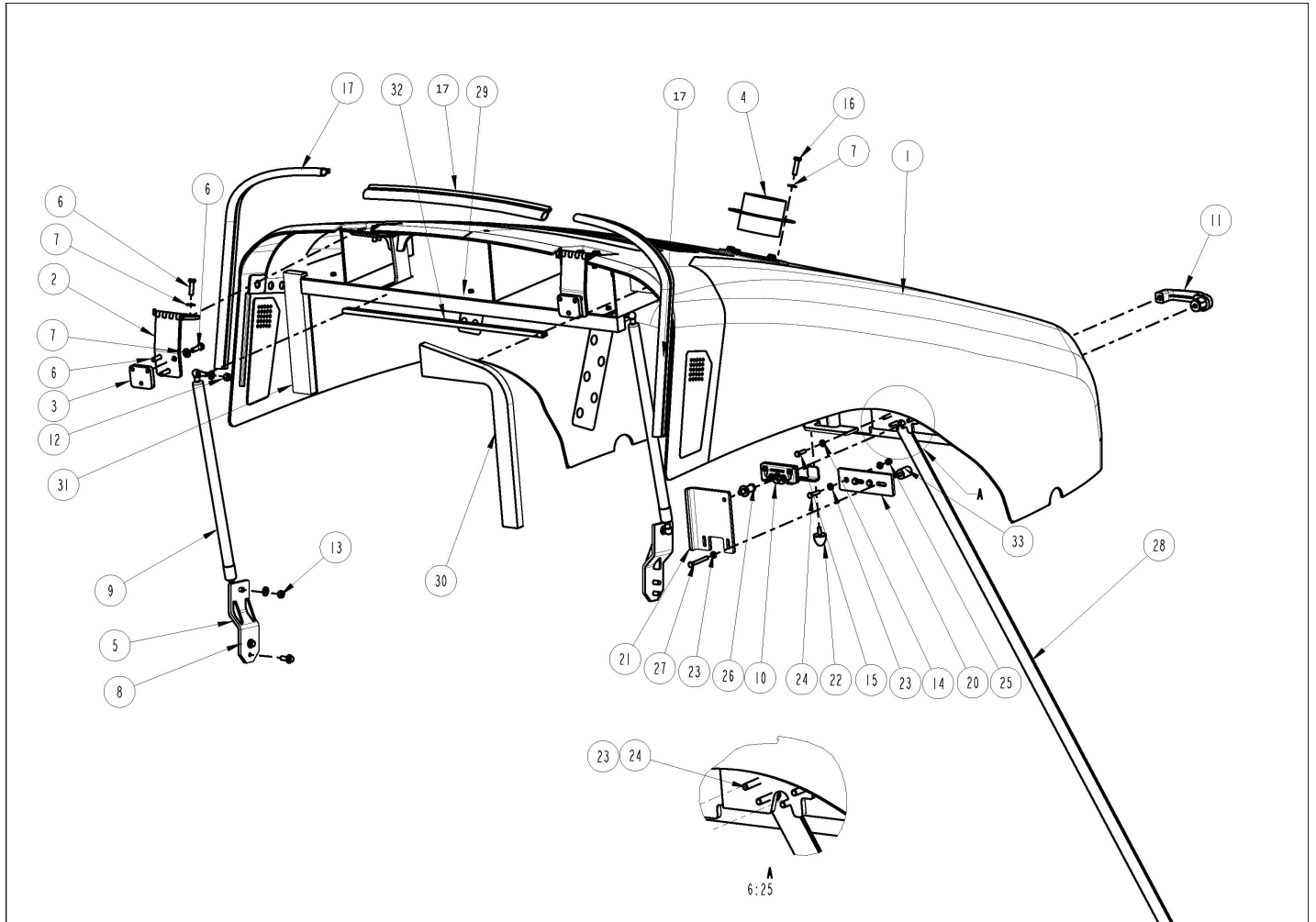


Refer to Parts Online for the most up to date information. The printed information might be outdated.

Mon Jun 17 09:44:31 UTC 2024

Item	Part No.	Name	Qty	L
1	4812128738	Articulated joint cross	1	
1	4812133375	Articulated joint cross	1	
2	4812117495	Sealing, V-ring	2	
3	4700223161	Taper plain bearing	4	
4	4812128683	SHAFT	1	
5	4700508096	Hexagon socket head cap	12	
6	4700792083	Protective plug	6	
7	0544210600	Lubricant nipple	4	
8	4700500210	Hexagon head screw M20x100 mm	10	
9	4812128352	Hitch cover	1	
10	4812129905	Lubricant nipple	1	
11	0291112842	Lock nut M	1	
12	4812128873	Threaded stud	1	
13	0544110012	Lubricant nipple	1	
14	4700904558	Steel plain washer	1	
15	4812128682	SHAFT	1	
16	4812128753	Radial spherical plain bearing	2	
17	4700910995	Hex.socket set screw	3	
18	4812128679	Shim,0.35mm	0	
19	4812128678	Shim,1mm	0	
20	4812128680	Shim,0.1mm	0	
21	4812128874	Sealing, V-ring	2	
22	4700904233	Steel plain washer	10	
23	4700151023	Retaining ring	4	

Structure Hood assembly



Refer to Parts Online for the most up to date information. The printed information might be outdated.

Mon Jun 17 09:44:31 UTC 2024

Item	Part No.	Name	Qty	L
1	4812331837	Engine hood	1	
2	4812112402	Hinge	2	
3	4700374799	Holder plate	2	
4	4812109343	Air cleaner pipe	1	
5	4812109780	Bracket assembly	2	
6	4700500030	Hexagon screw M	12	
7	4700904230	Steel plain washer	20	
8	4700500509	Hexagon screw with flange M	4	
9	4812109655	Gas Spring	2	
10	4812109181	Latch assy	1	
11	4812109666	Handle	1	
11a	4700902866	Key "455"	1	
12	4700586018	Lock nut m	2	
13	4700570006	Hexagon nut M	2	
14	4700904229	Steel plain washer	1	
15	4700500022	Hexagon head screw m	1	
16	4700500240	Hexagon head screw M	4	
17	4811000455	Edge trim	1XL	
20	4812109963	Steel metal part	1	
21	4812331019	Sheet metal part	1	A
21	4812109962	Bracket assy	1	
22	4700925629	Shock absorber	2	
23	4700904556	Steel plain washer	10	
24	4700500230	Hexagon head screw	6	
25	4700586003	Lock nut M	2	
26	4812109665	Pin Assy	1	
27	4700500189	Screw	2	
27	4700500115	Screw	2	
28	4812109951	Strap	1	
29	4812109967	Foam	1	
30	4812109947	Foam	1	
31	4812109948	Foam	1	
33	4812331020	Spacer	2	A
33	4812330126	Spacer	2	

Comments for Page: Hood assembly

Refer to Parts Online for the most up to date information. The printed information might be outdated.

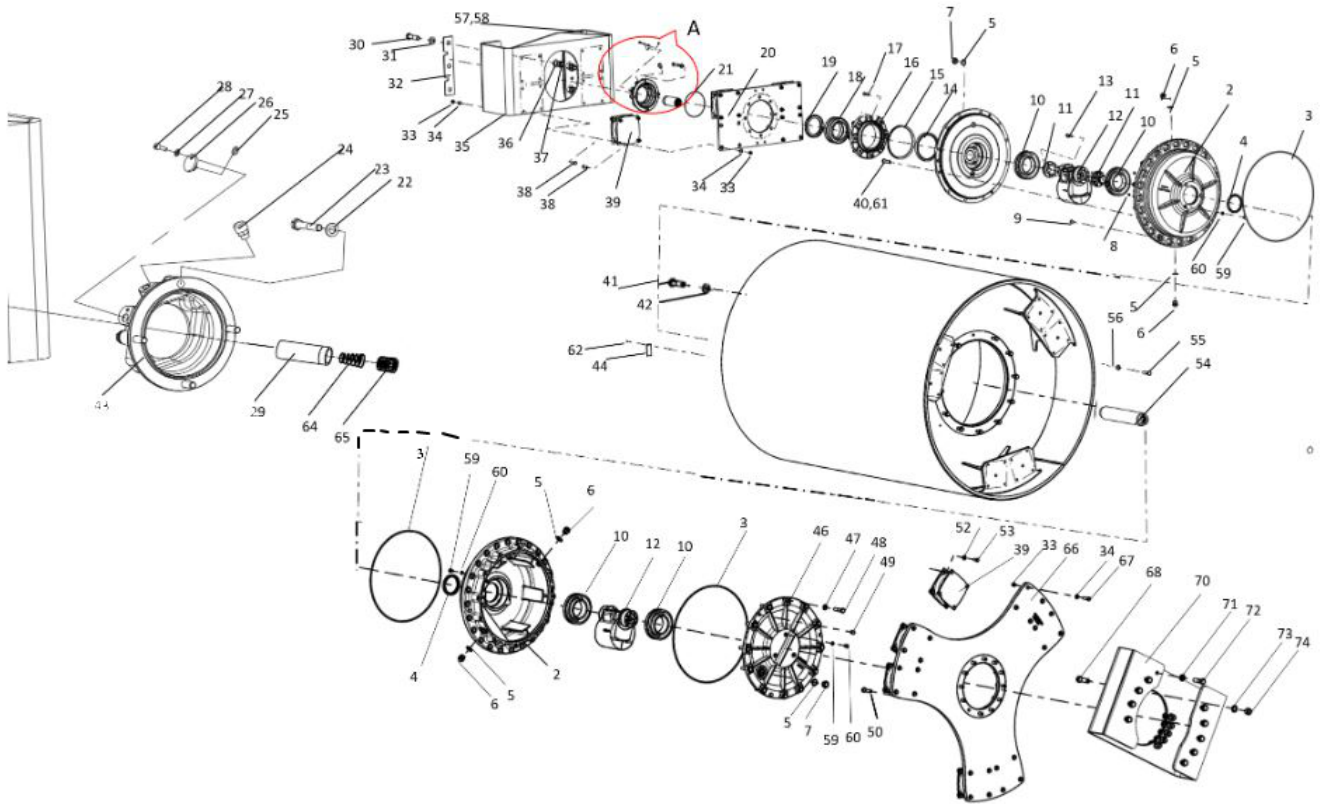
Mon Jun 17 09:44:31 UTC 2024

(L)OCAL REMARKS

A - For PD machine only.

This page intentionally left blank

Drum Drum



Refer to Parts Online for the most up to date information. The printed information might be outdated.

Mon Jun 17 09:44:32 UTC 2024

Item	Part No.	Name	Qty	L
1	4812108917	DRUM WELDED AND MACHINED	1	
2	4812112784	Bearing housing	2	
3	4700900776	O-ring 70	3	
4	4812121209	Radial lip-type seal	2	
5	4700162017	Washer sealing	6	
6	4700343744	Magnetic plug	4	
7	4812118814	Level glass	2	
8	4700516048	Hexagon socket set screw	6	
9	4700900775	Protective plug	12	
10	4700390896	Spherical roller bearing	4	
11	4812112476	Splined shaft mount	3	
12	4812124347	ECCENTRIC SHAFT MODULE	2	
13	4700791156	Hexagon socket head cap screw	24	
14	4700167023	Sealing	2	
15	4700929447	Sealing, v-ring	2	
16	4700343318	Drum bearing housing	2	
17	4700500082	Hexagon head screw	8	
18	4700116041	Taper roller bearing	2	
19	4812112413	Shaft nut	2	
20	4700343322	Mounting plate	2	
21	4700160105	O-ring 70	2	
22	4700904231	Steel plain washer	1	
23	4700500121	Hexagon head screw	4	
24	4700926736	Ventilating Filter	1	
25	4700160188	O-ring	1	
26	4812123007	Plug	1	
27	4700904228	Steel plain washer	1	
28	4700508002	Hexagon socket head cap screw	1	
29	4812109823	SPLINED SLEEVE MOUNT	1	
30	4700904479	Hexagon Head screw	6	
31	4700904234	Steel plain washer	6	
32	4700393278	Shim T = 6mm	2	
33	4700586019	Lock nut M	40	
34	4700904231	Steel plain washer	40	
35	4812109268	Holder plate	1	

Refer to Parts Online for the most up to date information. The printed information might be outdated.

Mon Jun 17 09:44:32 UTC 2024

Item	Part No.	Name	Qty	L
36	4700904234	Steel plain washer	6	
37	4700792464	Locknut	6	
38	4700500194	Hexagon head screw M	32	
39	4812106645	Shock absorber	10	
40	4700500082	Hexagon head screw	12	
41	4700384121	Screw	1	
42	4700904232	Steel plain washer	1	
43	4700527002	Drive screw	4	
44	4700343801	Serial Number plate	1	
45	4700343461	Cover	1	
46	4812111122	Bearing housing	1	
47	4700904232	Steel plain washer	12	
48	4700500082	Hexagon head screw	12	
49	4700900775	Protective plug	3	
50	4700500270	Screw	12	
52	4700904231	Steel plain washer	24	
53	4700500051	Hexagon head screw	24	
54	4812112465	Driving shaft	1	
55	4700500082	Hexagon head screw	11	
56	4700904232	Steel plain washer	11	
57	4700393276	Shim T = 1.5mm	2	
58	4700393277	Shim T = 3mm	2	
59	4700500163	Hexagon head screw	9	
60	4700162017	Washer sealing	9	
61	4700904232	Steel plain washer	12	
62	4700527002	Drive screw	4	
64	4700349715	Spring	1	
65	4700355634	Splined sleeve	1	
66	4812109694	Drive disc	1	
67	4700903406	Spacer	24	
68	4700195096	Screw	10	
70	4812109689	Holder plate	1	
71	4700903290	Steel plain washer	10	
72	4700500284	Screw	10	
73	4700904260	Steel plain washer	10	

Refer to Parts Online for the most up to date information. The printed information might be outdated.

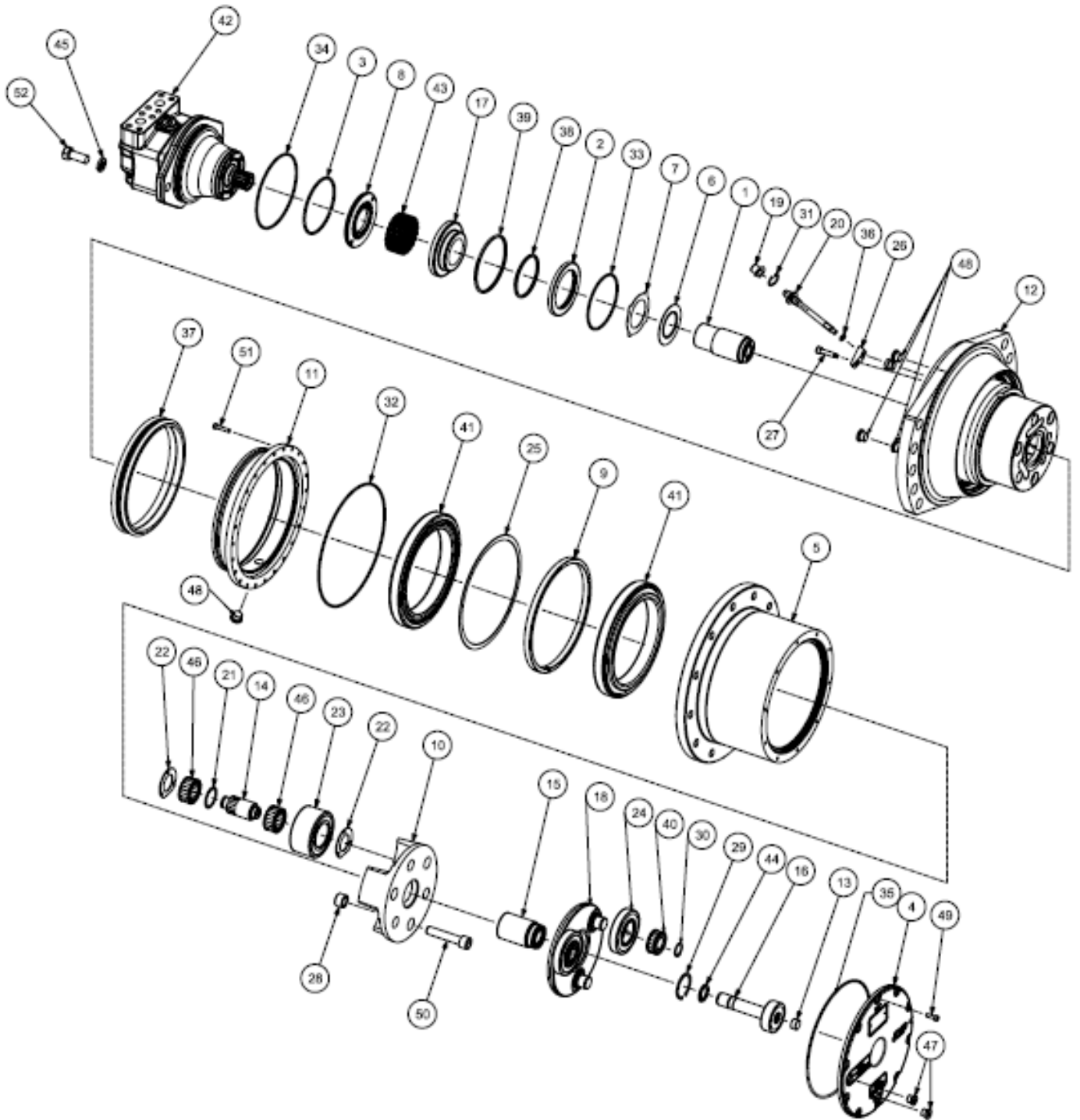
Mon Jun 17 09:44:32 UTC 2024

Item	Part No.	Name	Qty	L
74	4700195098	Nut	10	

Refer to Parts Online for the most up to date information. The printed information might be outdated.

Mon Jun 17 09:44:32 UTC 2024

Drum Gear Gear Box assembly 4812330906



Refer to Parts Online for the most up to date information. The printed information might be outdated.

Mon Jun 17 09:44:32 UTC 2024

Item	Part No.	Name	Qty	L
0	4812330905	Gear Box	1	
1	4812107262	Input shaft	1	
2	4812107263	Brake locking ring	1	
4	4812107264	Cover	1	
3	4812108617	Snap ring	1	
5	4812107265	Housing	1	
6	4812108618	Friction disc	10	
7	4812108619	Steel disc	11	
8	4812108620	Brake reaction ring	1	
9	4812107267	Spacer	1	
10	4812107268	Planetary carrier	1	
11	4812331139	Flange	1	
12	4812331140	Spindle	1	
13	4812107271	Friction Pad	1	
14	4812107272	Planetary carrier Pin	3	
15	4812107273	Sun gear	1	
16	4812330482	Sun gear	1	
17	4812107275	Brake piston	1	
18	4812331141	Planetary carrier	1	
19	4812108622	Protection cover	2	
20	4812108623	Sleeve for disengage	2	
21	4812107278	Washer	3	
22	4812108624	Washer	6	
23	4812107279	Planer Gear	3	
24	4812330484	Planer Gear	3	
25	4812107281	Shim	1	
26	4812108625	Block for retaining ring	2	
27	4812108626	Stud	2	
28	4812107283	Guide Bushing	3	
29	4812107284	snap ring	1	
30	4812107285	Snap ring	3	
31	4812108627	Snap ring	2	
32	4812107288	O-ring	1	
33	4812107289	O-ring	1	
34	4812107290	O-ring	1	

Refer to Parts Online for the most up to date information. The printed information might be outdated.

Mon Jun 17 09:44:32 UTC 2024

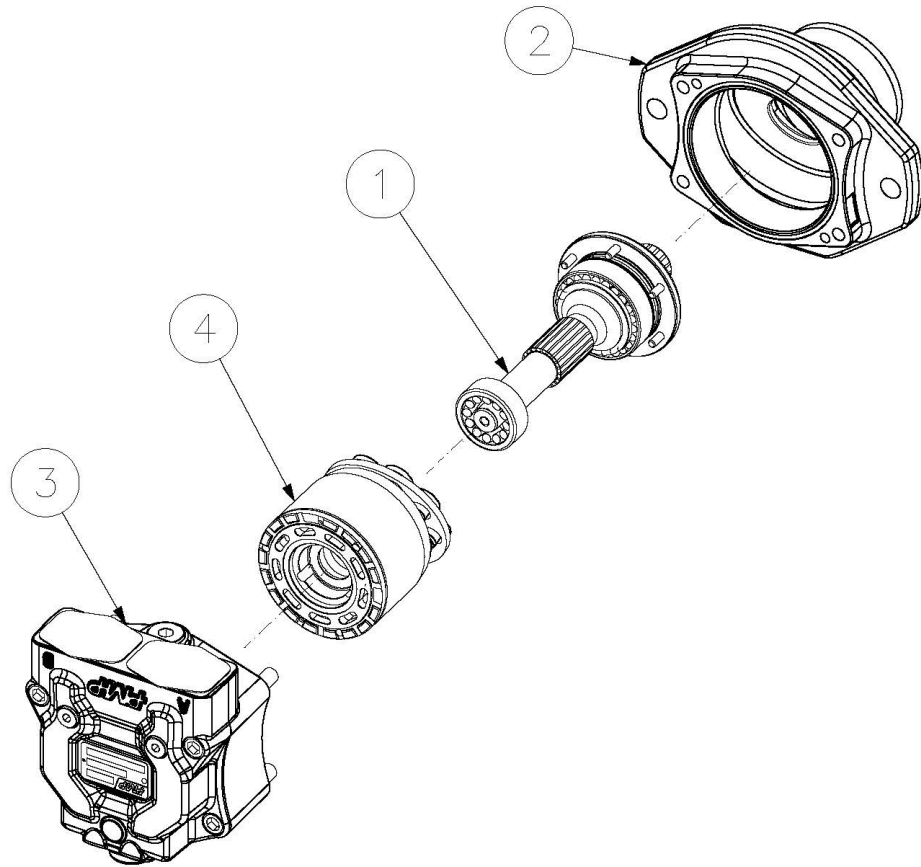
Item	Part No.	Name	Qty	L
35	4812107291	O-ring	1	
36	4812108628	O-ring	2	
37	4812331142	Duocone seal	1	
38	4812107292	Seal	1	
39	4812107293	Seal	1	
40	4812107294	Roller Bearing	3	
41	4812107295	Roller Bearing	2	
43	4812107296	Spring	20	
44	4812107297	Thrust washer	1	
45	4812331143	Washer	2	
46	4812331144	Roller	114	
47	4812107302	Plug	2	
48	4812331145	Steel plug	4	
49	4812108631	Screw	10	
50	4812108632	Screw	3	
51	4812108633	Screw	24	
52	4812108634	Screw	2	
42	4812109729	Motor	1	

Refer to Parts Online for the most up to date information. The printed information might be outdated.

Mon Jun 17 09:44:32 UTC 2024

This page intentionally left blank

Drum Drive motor 4812109729 Hydraulic motor

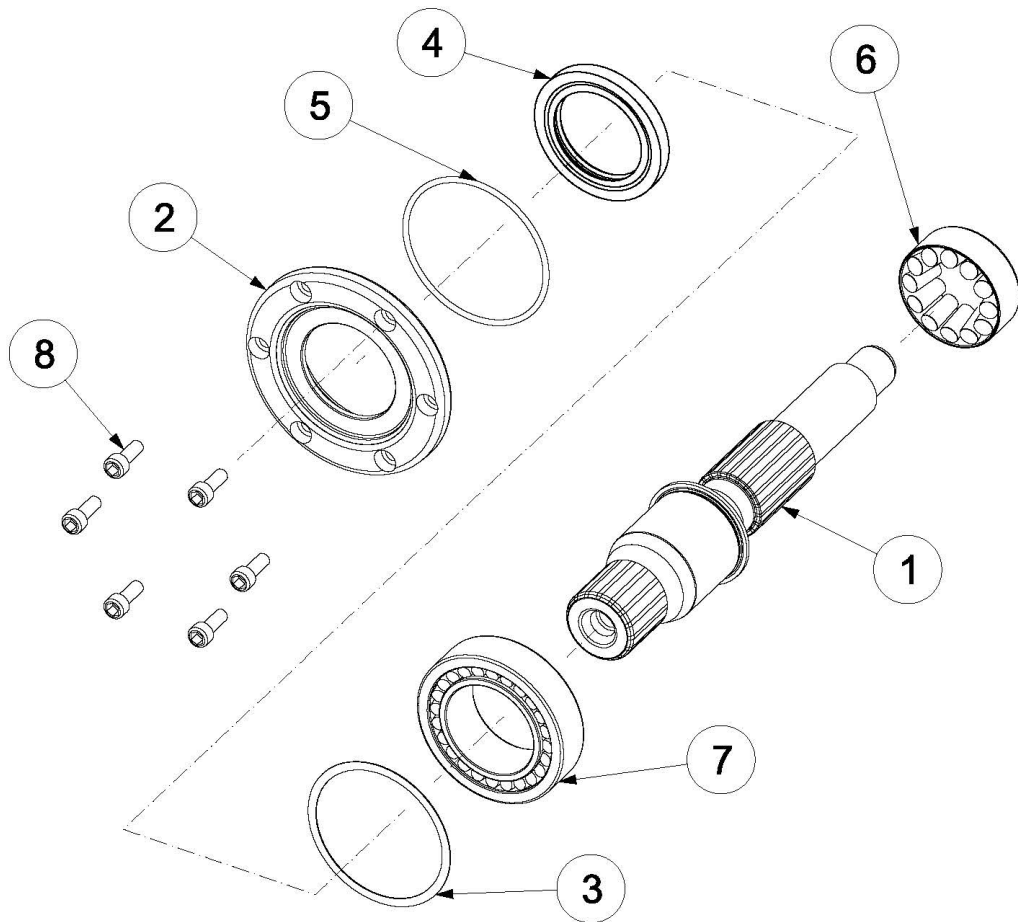


Item	Part No.	Name	Qty	L
1	4812330464	Shaft assembly	1	
2	4812330467	Body Assembly	1	
3	4812330468	Distrubtion assembly	1	
4	4812330473	Rotor assembly	1	

Refer to Parts Online for the most up to date information. The printed information might be outdated.

Mon Jun 17 09:44:33 UTC 2024

Shaft Assembly Shaft Assembly



Refer to Parts Online for the most up to date information. The printed information might be outdated.

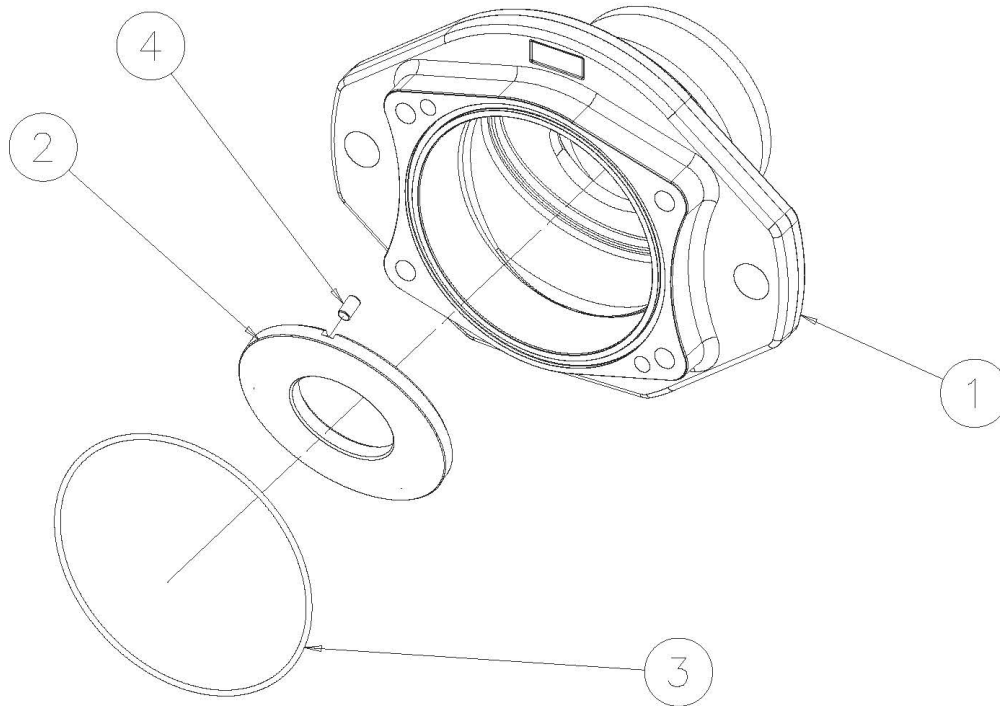
Mon Jun 17 09:44:33 UTC 2024

Item	Part No.	Name	Qty	L
0	4812330464	Shaft assembly	1	
1	4812330465	shaft	1	
2	4812107307	Flange	1	
3	4812330466	Flange	1	
4	4812107309	Shaft seal	1	
5	4812107310	O-ring	1	
6	4812107311	Roller bearing	1	
7	4812107312	Roller bearing	1	
8	-	Screw	6	

Refer to Parts Online for the most up to date information. The printed information might be outdated.

Mon Jun 17 09:44:33 UTC 2024

Body Assembly Body Assembly



Refer to Parts Online for the most up to date information. The printed information might be outdated.

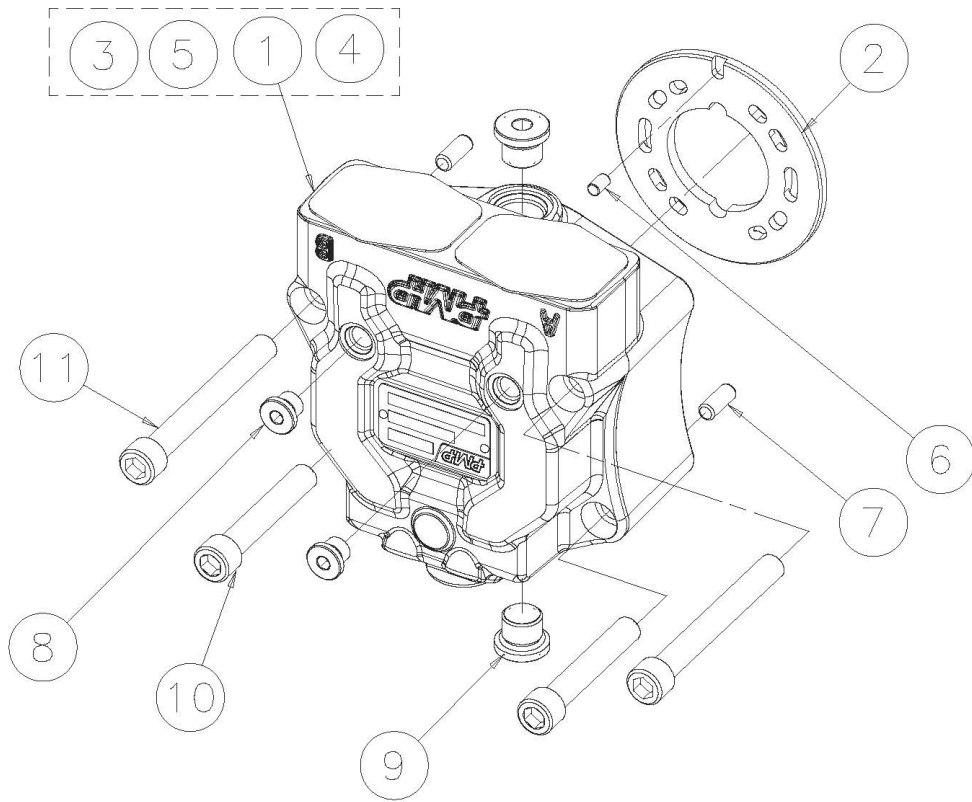
Mon Jun 17 09:44:34 UTC 2024

Item	Part No.	Name	Qty	L
0	4812330467	Body Assembly	1	
1	4812107315	Body	1	
2	4812107316	Plate	1	
3	4812107317	O-ring	1	
4	4812107318	Roller	1	

Refer to Parts Online for the most up to date information. The printed information might be outdated.

Mon Jun 17 09:44:34 UTC 2024

Distribtion assembly Distribtion assembly



Refer to Parts Online for the most up to date information. The printed information might be outdated.

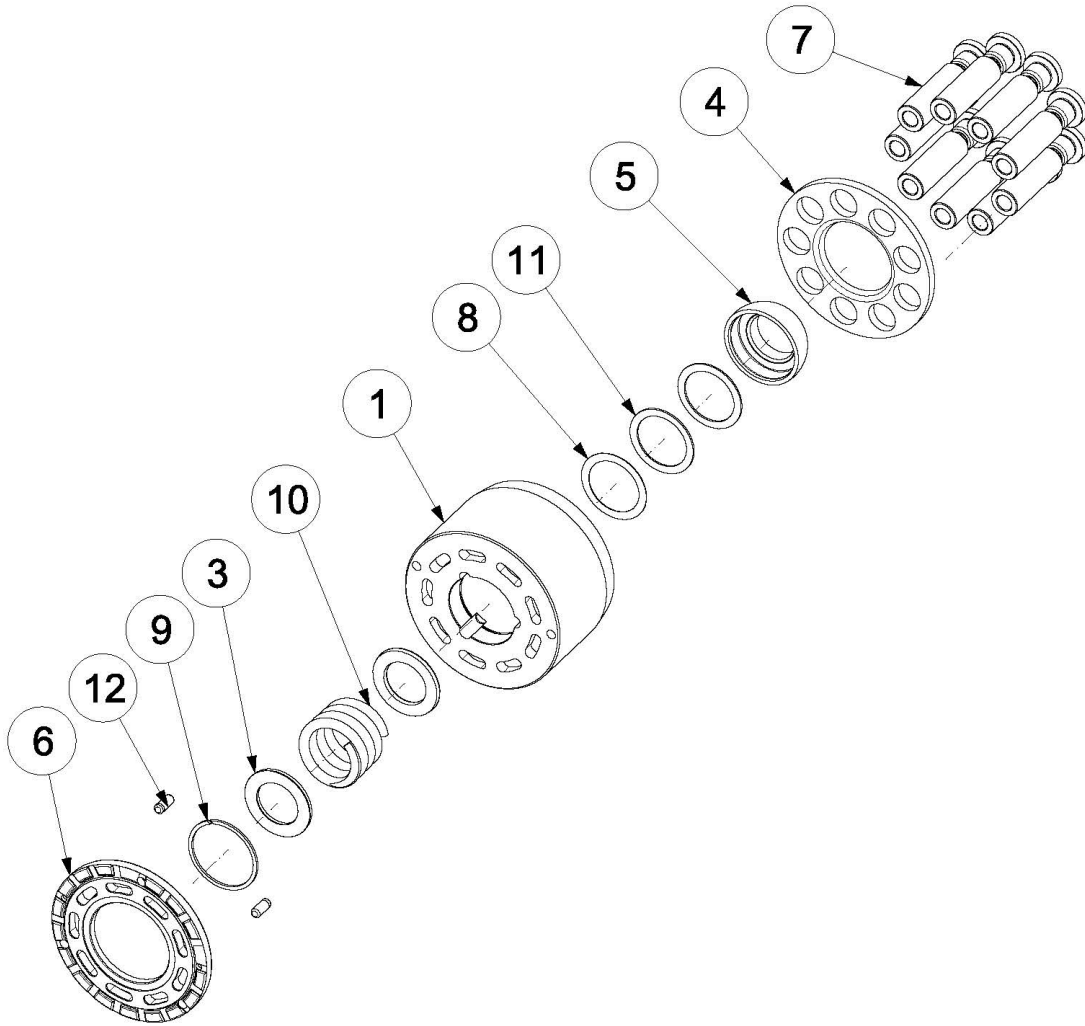
Mon Jun 17 09:44:34 UTC 2024

Item	Part No.	Name	Qty	L
0	4812330468	Distribtion assembly	1	
1	4812330469	Distributore	1	
2	4812107321	Distributor nameplate	1	
3	-	NAME PLATE	1	
4	4812107323	Plug	2	
5	-	Rivet	2	
6	4812330470	Flat head screw	1	
7	4812107326	Dowel pin	2	
8	4812107328	Plug	2	
9	4812107329	Plug	2	
10	4812330471	Screw	2	
11	4812330472	Screw	2	

Refer to Parts Online for the most up to date information. The printed information might be outdated.

Mon Jun 17 09:44:34 UTC 2024

Rotor assembly Rotor assembly



Refer to Parts Online for the most up to date information. The printed information might be outdated.

Mon Jun 17 09:44:35 UTC 2024

Item	Part No.	Name	Qty	L
0	4812330473	Rotor assembly	1	
1	4812330474	Cylinder Block	1	
2	4812107324	Bush Spring	9	
3	4812330475	spring spacer	2	
4	4812107332	Retainer	1	
5	4812330476	Half-spherical track	1	
6	4812107334	Bearing plate	1	
7	4812107335	Piston	9	
8	4812330477	Shim	1	
9	4812107336	Snap ring	1	
10	4812107337	Spring	1	
11	4812330478	Disc Spring	2	
12	4812107340	Dowel pin	2	

Refer to Parts Online for the most up to date information. The printed information might be outdated.

Mon Jun 17 09:44:35 UTC 2024

Engine Engine

**NO DRAWING
AVAILABLE
FOR THIS BOM**

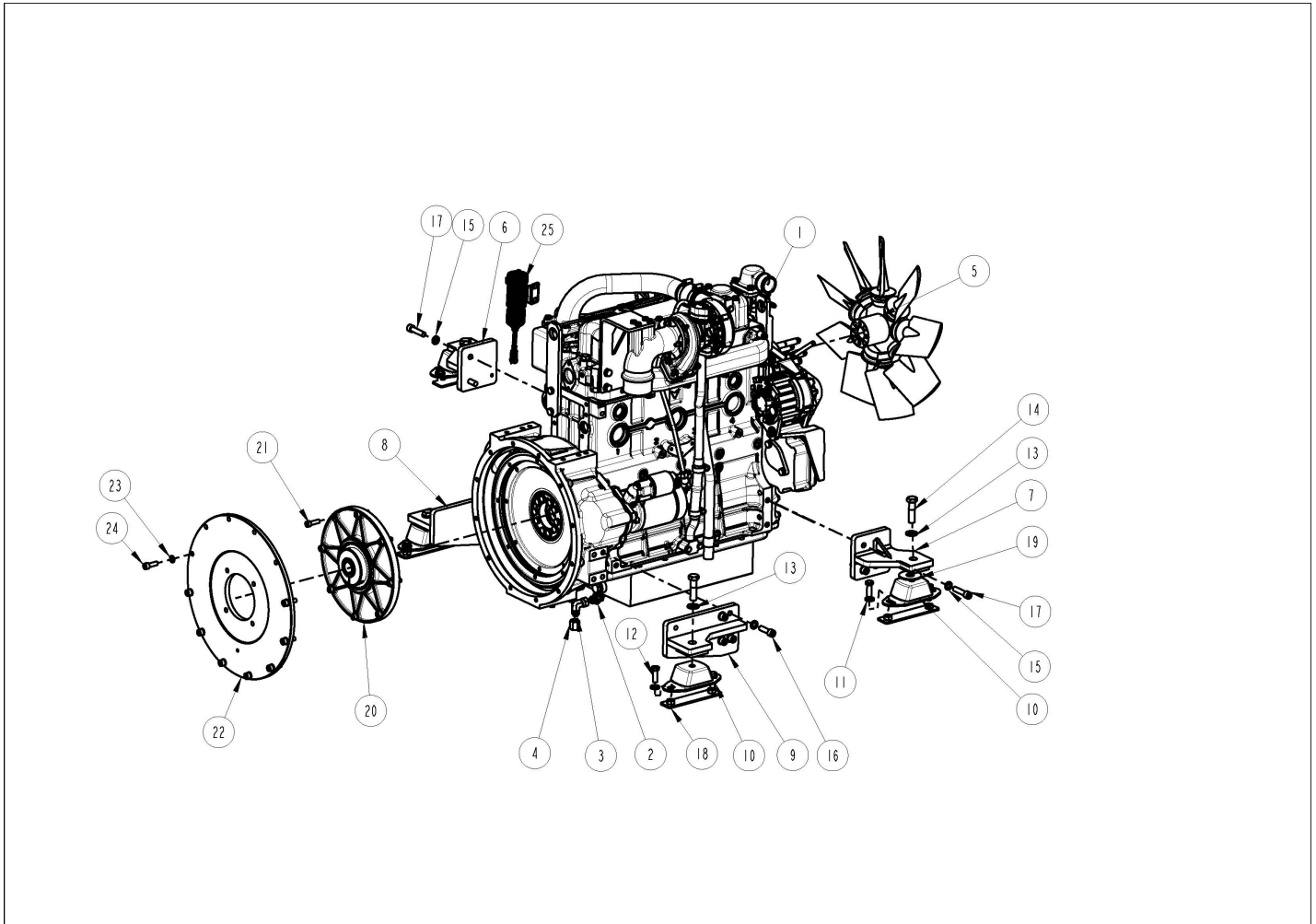
Item	Part No.	Name	Qty	L
10		Engine		
20	-	Cooling system		
20	-	Cooling system		
30	-	Combustion air system		
30	-	Combustion air system		
40	-	Fuel system		
50	-	Exhaust system		

Comments for Page: Engine

(L)OCAL REMARKS

A | en_US | For New FRP Hood

Diesel engine Engine assembly



Refer to Parts Online for the most up to date information. The printed information might be outdated.

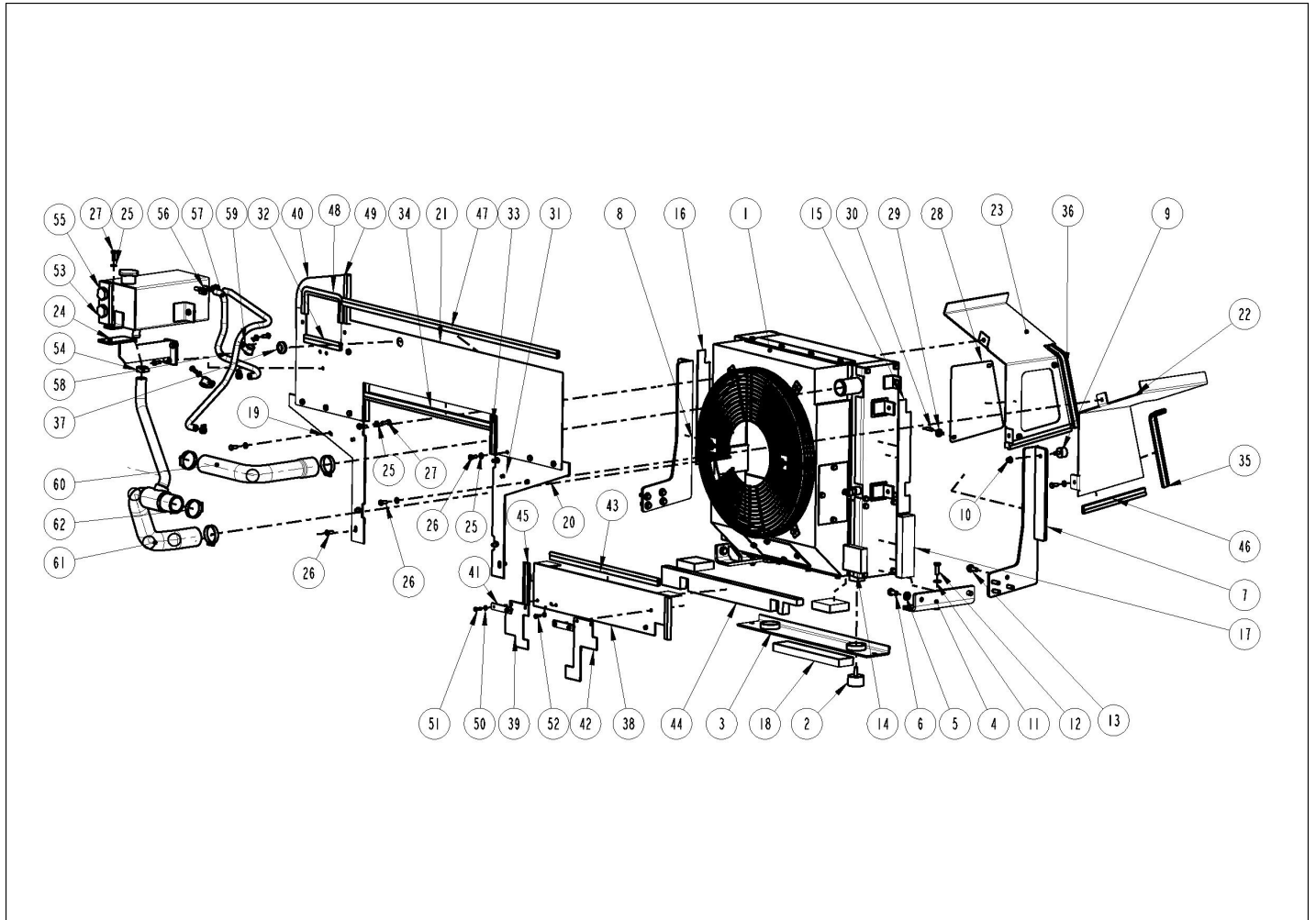
Mon Jun 17 09:44:36 UTC 2024

Item	Part No.	Name	Qty	L
1	4812331096	DIESEL ENGINE 4R1040T	1	
1.1	4812334047	Feed Pump	1	
1.2	4812332334	Starter	1	
1.3	4812331391	Alternator	1	
2	4700925723	Straight connector JIC	1	
3	4700334197	Connector elbow 90 JIC	1	
4	4700330383	Plug JIC	1	
5	4812109602	Engine fan	1	
6	4812108956	Engine bracket	1	
7	4812108957	Engine bracket	1	
8	4812108958	Engine bracket	1	
9	4812108959	Engine bracket	1	
10	4812107231	Shock absorber	4	
11	4700904703	Steel plain washer	8	
12	4700500037	Hexagon head screw M	8	
13	4700904232	Steel plain washer	4	
14	4700500134	Hex. screw	4	
15	4700904638	Steel plain washer	12	
16	4700508063	Hexagon socket head cap	8	
17	4700508032	Hexagon socket head cap screw M	4	
18	4812131030	Nut-plate	4	
19	4812330634	Shim	2	
20	4812112015	Coupling	1	
21	4700509025	Socket Head screw	8	
22	4700372772	Hydraulic pump bracket	1	
23	4700904637	Steel plain washer	8	
24	4700508029	Hexagon socket head cap screw	8	
25	4812331985	Fuel stop solenoid	1	

Refer to Parts Online for the most up to date information. The printed information might be outdated.

Mon Jun 17 09:44:36 UTC 2024

Cooling system Cooling system



Refer to Parts Online for the most up to date information. The printed information might be outdated.

Mon Jun 17 09:44:36 UTC 2024

Item	Part No.	Name	Qty	L
1	4812331863	Cooler Package	1	
2	4700904551	Shock absorber	2	
3	4812109373	Sheet metal part	1	
4	4812109372	Bracket	2	
5	4700904231	Steel plain washer	4	
6	4700500051	Hexagon head screw	4	
7	4812109374	Bracket	1	
8	4812109375	Bracket	1	
9	4700928370	Shock absorber	2	
10	4700902286	Hexagon lock nut with flange	2	
11	4700904230	Steel plain washer	2	
12	4700947683	Hexagon head screw	2	
13	4700791343	Screw	8	
14	4812109950	Foam	4	
15	4812109931	Foam	1	
16	4812109695	Foam	1	
17	4812109940	Foam	2	
18	4812109948	Foam	1	
19	4812109376	RH radiator cover	1	
20	4812109377	LH radiator cover	1	
21	4812331885	Top covering plate	1	
22	4812109379	Closing cover RH	1	
23	4812109380	Closing cover LH	1	
24	4812109616	Bracket	1	
25	4700904229	Steel plain washer	22	
26	4700500053	Hexagon head screw	20	
27	4700500021	Hexagon head screw	5	
28	4812109634	Sheet metal part	1	
29	4700904640	Steel plain washer	2	
30	4700528041	Wing screw M8x25	2	
31	4700904556	Steel plain washer	2	
32	4700902166	Edge strip	1XL	
33	4700902166	Edge strip	1XL	
34	4700902166	Edge strip	1XL	
35	4700902166	Edge strip	1XL	

Refer to Parts Online for the most up to date information. The printed information might be outdated.

Mon Jun 17 09:44:36 UTC 2024

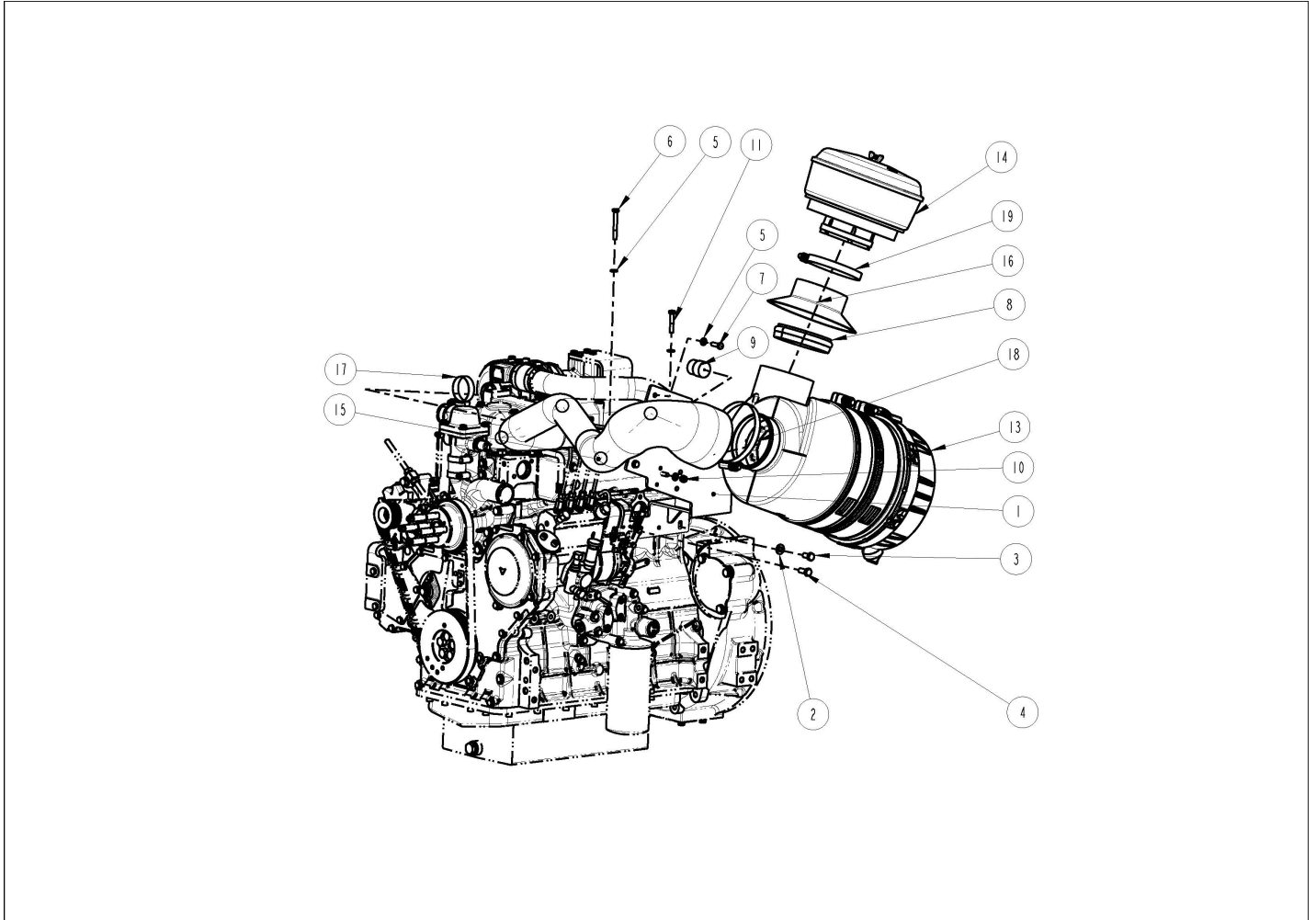
Item	Part No.	Name	Qty	L
36	4700902166	Edge strip	1XL	
37	4700909131	Grommet	1	
38	4812109928	Bottom cover	1	
39	4812109927	Rubber part	1	
40	4812109932	Sheet metal part	1	
41	4812109926	Holder plate	2	
42	4812109925	Rubber part	1	
43	4700902166	Edge strip	1XL	
44	4812109929	Foam	1	
45	4700902166	Edge strip	1XL	
46	4700902166	Edge strip	1XL	
47	4700902166	Edge strip	1XL	
48	4700902166	Edge strip	1XL	
49	4700902166	Edge strip	1XL	
50	4700904228	Steel plain washer	6	
51	4700500040	Hexagon head screw	4	
52	4700500013	Hexagon head screw	2	
53	4812108968	Expansion tank	1	
53a	4812337505	Expansion tank cap	1	
54	4700313035	Hose clamp	1	
55	4812109388	Sight Glass SG S/A	2	
56	4700313001	Hose clamp	4	
57	4812109618	Coolant Hose	1	
58	4812109933	Coolant Hose	1	
59	4700902558	Pipe clamp covered	2	
60	4812109421	Radiator inlet hose	1	
61	4812109422	Radiator outlet hose	1	
62	4700313010	Hose clamp	4	

Refer to Parts Online for the most up to date information. The printed information might be outdated.

Mon Jun 17 09:44:36 UTC 2024

This page intentionally left blank

Combustion air system Air cleaner assembly



Refer to Parts Online for the most up to date information. The printed information might be outdated.

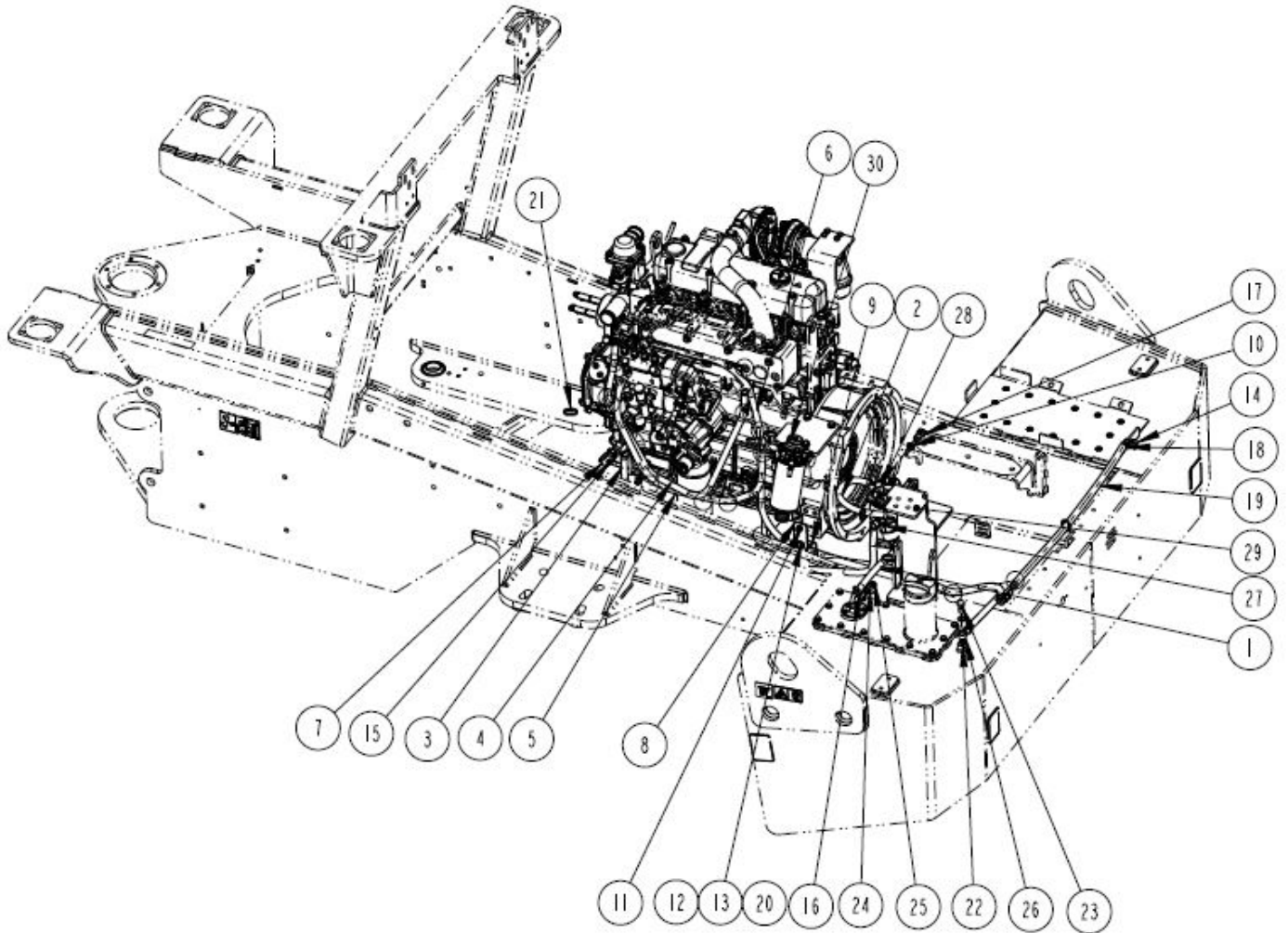
Mon Jun 17 09:44:37 UTC 2024

Item	Part No.	Name	Qty	L
1	4812331980	Bracket air filter	1	
2	4700904230	Steel plain washer	2	
3	4700500048	Hexagon head screw m	1	
4	4700500028	Hexagon head screw M	1	
5	4700904229	Steel plain washer	10	
6	4700500068	Hexagon head screw M	2	
7	4700500021	Hexagon head screw	3	
8	4700288129	Rubber edge trim	0.5	
9	4700924737	Indicator	1	
10	4700586003	Lock nut M	4	
11	4700500024	Hexagon head screw	1	
13	4812331480	Air Filter	1	
13a	4812331801	Air filter element main	1	
13b	4812331802	Air filter element Safety	1	
14	4812331284	Air cleaner cap	1	
15	4812109425	AIR INTAKE HOSE	1	
16	4812109515	AIR SUCTION HOSE	1	
17	4700395323	Hose clamp	1	
18	4700379214	Clamp	1	
19	4700389600	Clamp	1	

Refer to Parts Online for the most up to date information. The printed information might be outdated.

Mon Jun 17 09:44:37 UTC 2024

Fuel system Fuel System



Refer to Parts Online for the most up to date information. The printed information might be outdated.

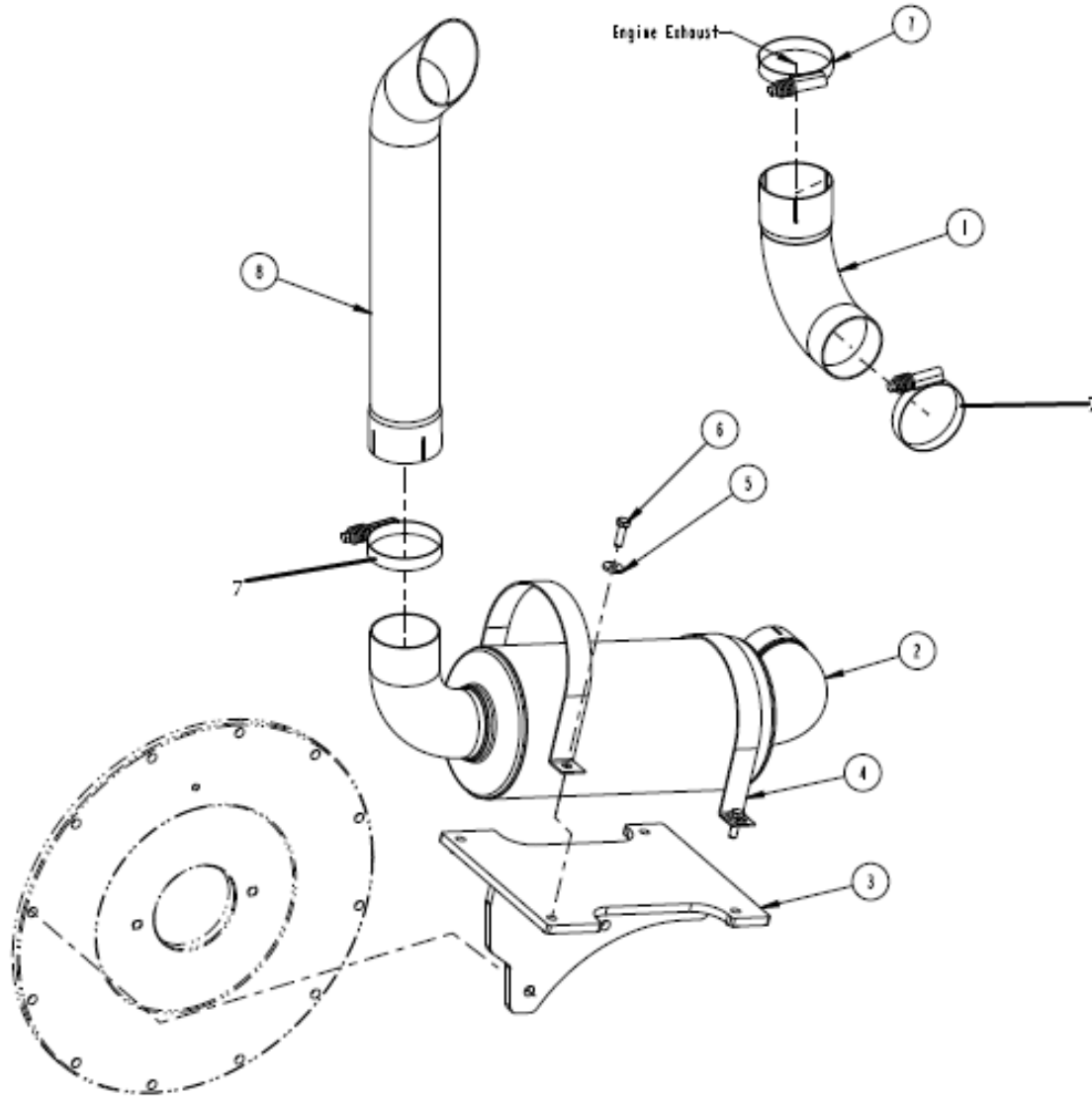
Mon Jun 17 09:44:37 UTC 2024

Item	Part No.	Name	Qty	L
1	4812332004	Fuel hose	1	
2	4812332005	Fuel Hose	1	
3	4812332006	Fuel hose	1	
4	4812109909	Fuel hose	1	
5	4812109909	Fuel hose	1	
6	4812332029	Fuel hose	1	
7	4700921050	Pipe clamp covered	1	
8	4812109240	SHEET METAL PART	1	
9	4700904352	Pipe clamp covered	1	
10	4700330330	Copper washer	4	
11	4700904229	Steel plain washer	2	
12	4700904230	Steel plain washer	2	
13	4700500028	Hexagon head screw M	1	
14	4700313002	Hose clamp	2	
15	4700500053	Hexagon head screw	2	
16	4700313001	Hose clamp	5	
17	4700234928	Hollow screw	2	
18	4700373574	Hose connection	2	
19	4700244054	Plastic hose	1XL	L=0, 65M
20	4700586018	Lock nut m	1	
21	4700313041	Cable tie	0	
22	4700747282	COPPER WASHER	12	
23	4700330171	Hollow screw	6	
24	4700904138	Protective plug	1	
25	4700313032	Clamp	1	
26	4700330170	Banjo coupling	1	
27	4812330730	FUEL STRAINER	1	
28	4812332064	Water sperator	1	
29	4812331967	Bracket	1	
30	4812332063	Fuel filter	1	

Refer to Parts Online for the most up to date information. The printed information might be outdated.

Mon Jun 17 09:44:37 UTC 2024

Exhaust system Exhaust system



Refer to Parts Online for the most up to date information. The printed information might be outdated.

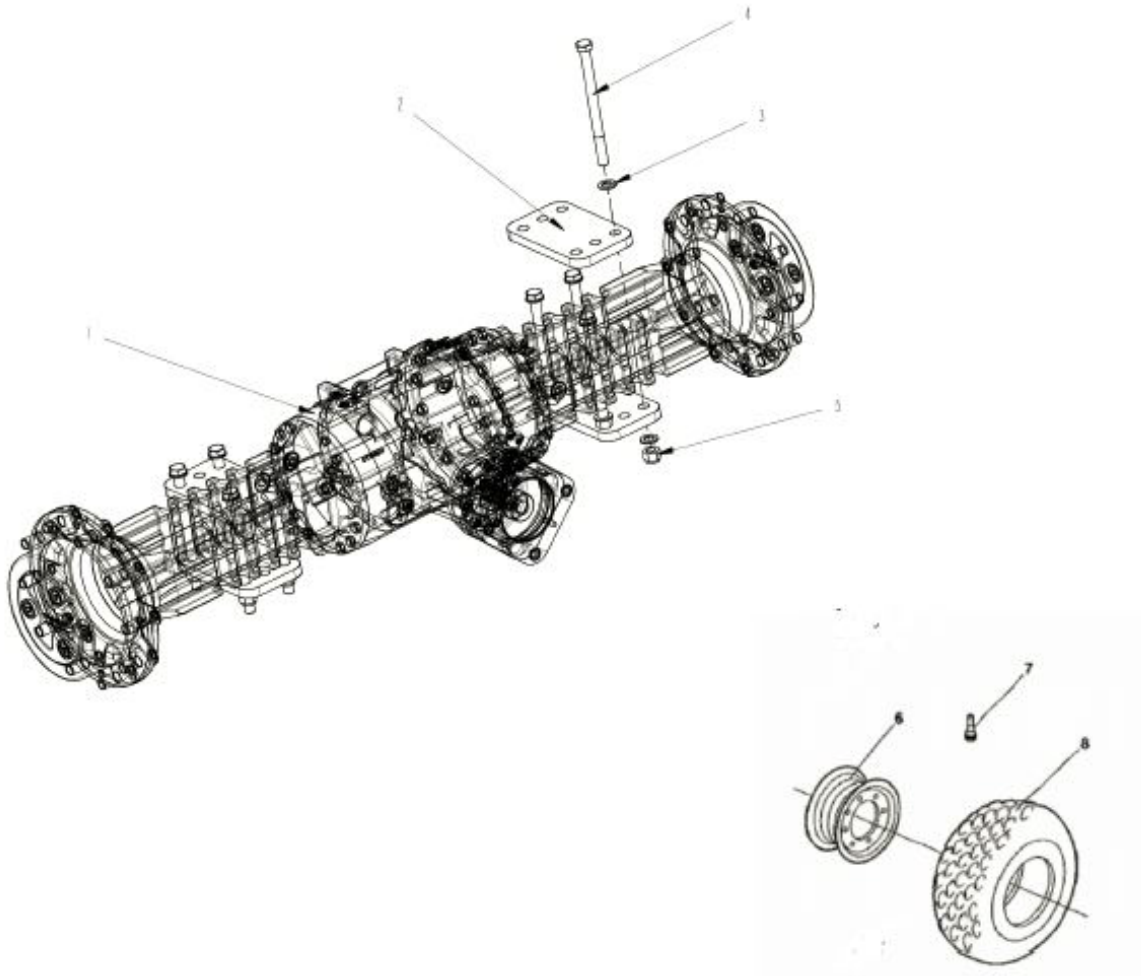
Mon Jun 17 09:44:37 UTC 2024

Item	Part No.	Name	Qty	L
1	4812109384	EXHAUST PIPE	1	
2	4812108986	MUFFLER	1	
3	4812108965	BRACKET EXHAUST	1	
4	4812109673	CLAMP	2	
5	4700904640	Steel plain washer	4	
6	4700500021	Hexagon head screw	4	
7	4700386966	Clamp	3	
8	4812109385	TAIL PIPE	1	

Refer to Parts Online for the most up to date information. The printed information might be outdated.

Mon Jun 17 09:44:37 UTC 2024

Rear axle and wheels Upto machine sr no - E012246 Rear Axle module



Refer to Parts Online for the most up to date information. The printed information might be outdated.

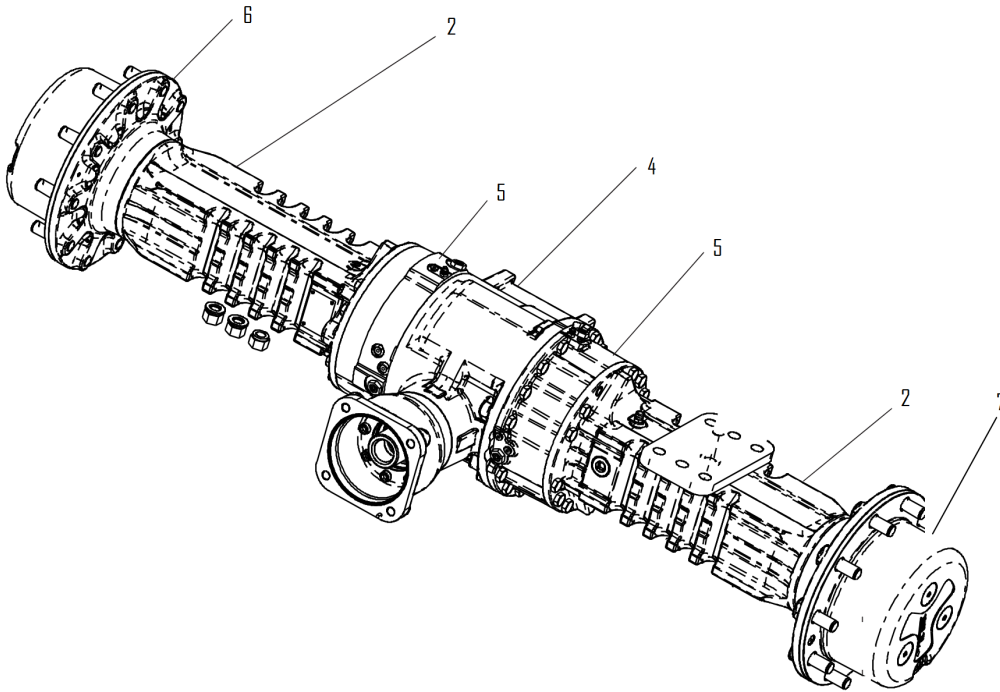
Mon Jun 17 09:44:38 UTC 2024

Item	Part No.	Name	Qty	L
1	4812330747	Rear axle	1	
2	4812103636	Spacer	4	
3	4700904233	Steel plain washer	16	
4	4700929217	Hexagon head screw M	8	
5	4700586022	Lock nut M	8	
6	4812120674	Rim	2	
7	4700792261	Air charging valve Straight	2	
8	4700390591	Tyre	2	

Refer to Parts Online for the most up to date information. The printed information might be outdated.

Mon Jun 17 09:44:38 UTC 2024

Rear axle 4812109226 Rear axle



Refer to Parts Online for the most up to date information. The printed information might be outdated.

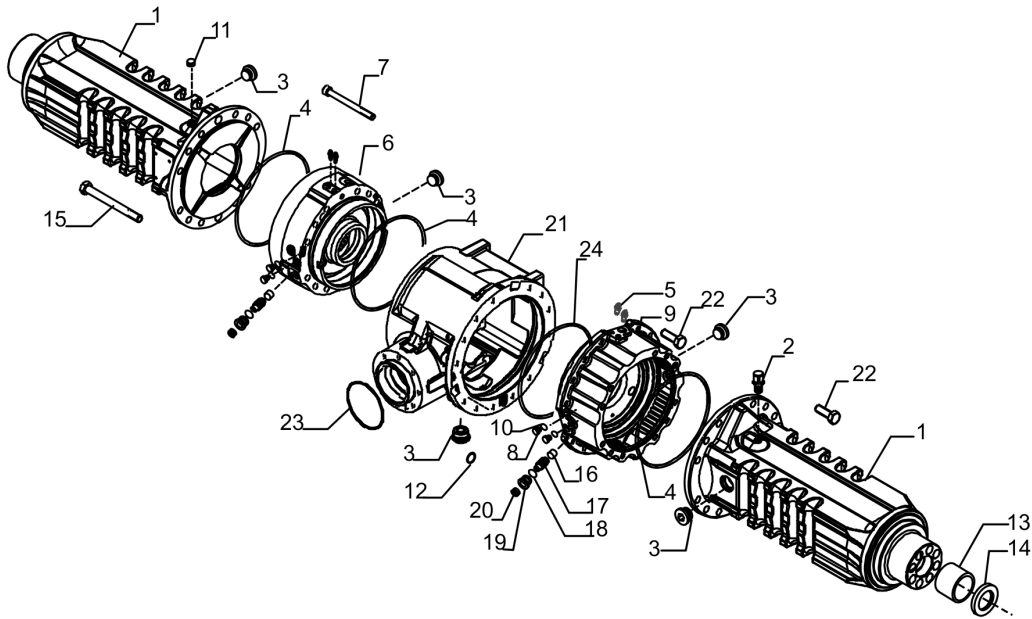
Mon Jun 17 09:44:38 UTC 2024

Item	Part No.	Name	Qty	L
1	4812109226	Rear axle	1	
2	4812106946	Axle housing	1	
3		Bevel gear set	1	
4	4812106948	Differential	1	
5	4812106949	Brakes	2	
6	4812106950	Wheel hub	2	
7	-	Final Reduction	2	

Refer to Parts Online for the most up to date information. The printed information might be outdated.

Mon Jun 17 09:44:38 UTC 2024

Axle housing Axle Housing

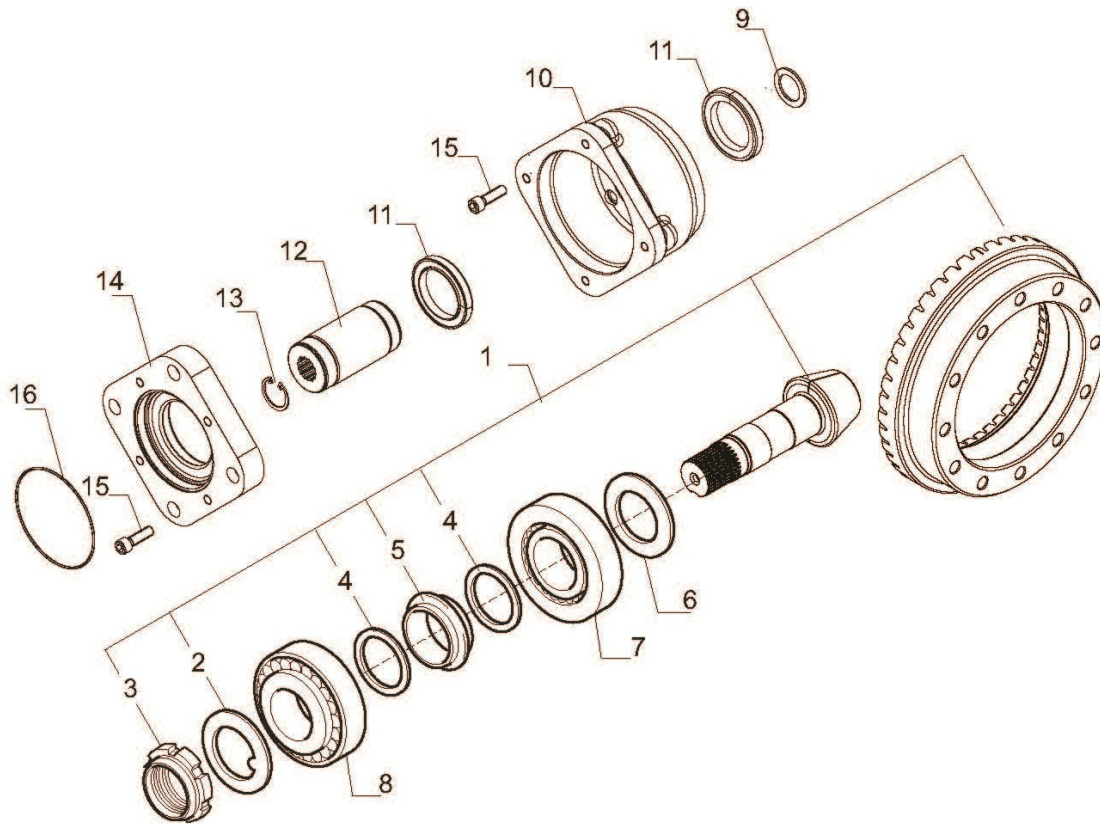


Refer to Parts Online for the most up to date information. The printed information might be outdated.

Mon Jun 17 09:44:39 UTC 2024

Item	Part No.	Name	Qty	L
1	4812104345	BEAM TRUMPET	2	
2	4812104355	Breather	1	
3	4812108418	PLUG	5	
4	4812104348	O Ring	3	
5	4812104349	Breather M10x1	4	
6	4812104350	Brake Cylinder LH	1	
7	4812104351	Bolt M12x130	2	
8	4812104366	Plug	4	
9	4812108419	BRAKE CYLINDER RH	1	
10	4812104352	Washer	4	
11	4812104346	Tappo M10x1	1	
12	4812104356	O Ring	2	
13	4812104357	Bush	2	
14	4812104358	Seal ring	2	
15	4812104359	Bolt M14x140	11	
16	4812104360	Pin	6	
17	4812104361	Bolt M16x1.5	6	
18	4812104362	O Ring	6	
19	4812104363	Special Screw M22x1.5	6	
20	4812104364	Plug M16x1.5	6	
21	4812108420	CENTRAL	1	
22	4812108421	BOLT	24	
23	4812108422	O.RING	1	
24	4812104414	O-ring	1	

Bevel gear set Bevel gear set



Refer to Parts Online for the most up to date information. The printed information might be outdated.

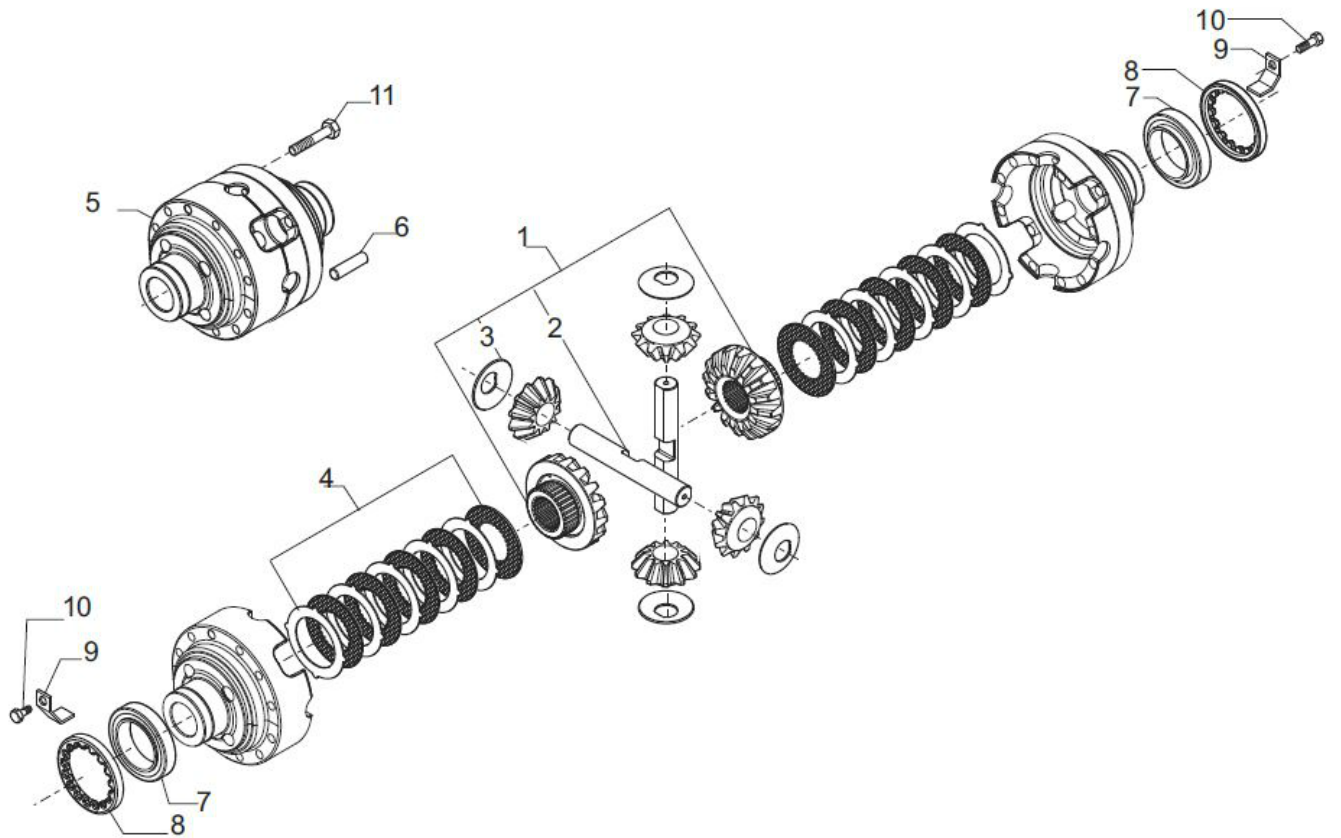
Mon Jun 17 09:44:39 UTC 2024

Item	Part No.	Name	Qty	L
1	4812108423	BEVEL GEAR SET	1	
2	4812104368	Lock washer	1	
3	4812104369	Nut M40x1.5	1	
4	4812108424	WASHER	2	
5	4812104371	Collapsible spacer	1	
6	4812108425	SHIM 2.50MM	-	
6	4812108426	SHIM 2.60MM	-	
6	4812108427	SHIM 2.70MM	-	
6	4812108428	SHIM 2.80MM	-	
6	4812108429	SHIM 2.90MM	-	
6	4812108430	SHIM 3.00MM	-	
6	4812108431	SHIM 3.10MM	-	
6	4812108432	SHIM 3.20MM	-	
6	4812108433	SHIM 3.30MM	-	
6	4812108434	SHIM 3.40MM	-	
7	4812108435	BEARING	1	
8	4812108436	BEARING	1	
9	4812108437	WASHER	1	
10	4812330881	Flange	1	
11	4812108439	SEAL RING	2	
12	4812330882	Sleeve	1	
13	4812330883	Snap ring	1	
14	4812330884	Flange	1	
15	4812330885	Screw M12x40	12	
16	4812330886	O.ring	1	

Refer to Parts Online for the most up to date information. The printed information might be outdated.

Mon Jun 17 09:44:39 UTC 2024

Differential DIFFERENTIAL

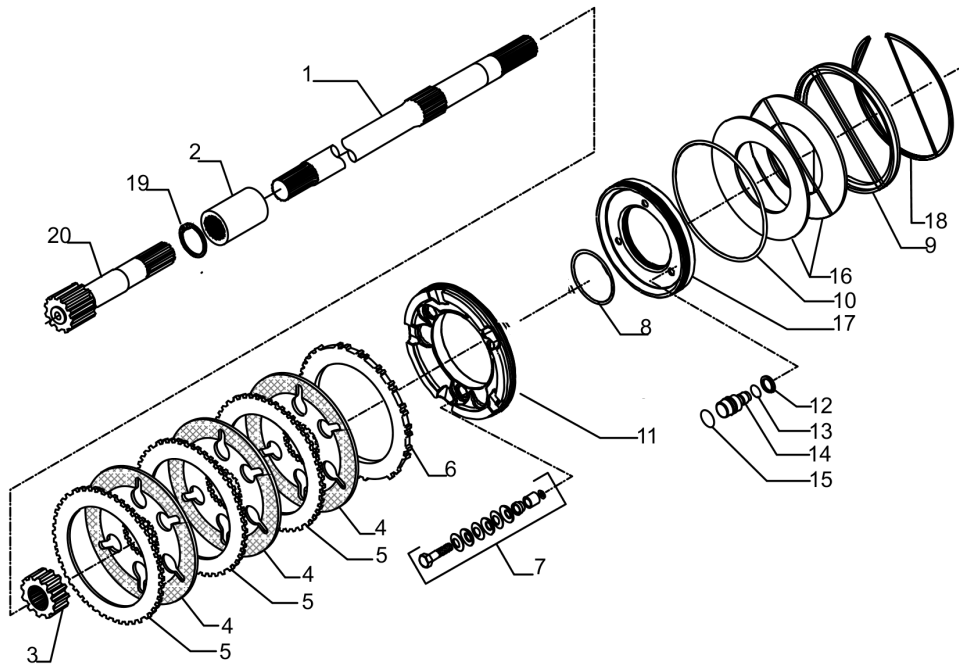


Refer to Parts Online for the most up to date information. The printed information might be outdated.

Mon Jun 17 09:44:39 UTC 2024

Item	Part No.	Name	Qty	L
1	4812104384	Differential kit	1	
2	-	Shaft	2	
3	-	Trust Washer	4	
4	4812330879	Differential discs kit	2	
5	4812104395	Differetail Housing	1	
6	4812104396	Pin	1	
7	4812104390	Bearing	2	
8	4812104391	Ring nut M94x2	2	
9	4812104392	Locking plate	2	
10	4812104393	Bolt M6x10	2	
11	4812104394	Bolt M12x90	10	

Brakes BRAKES

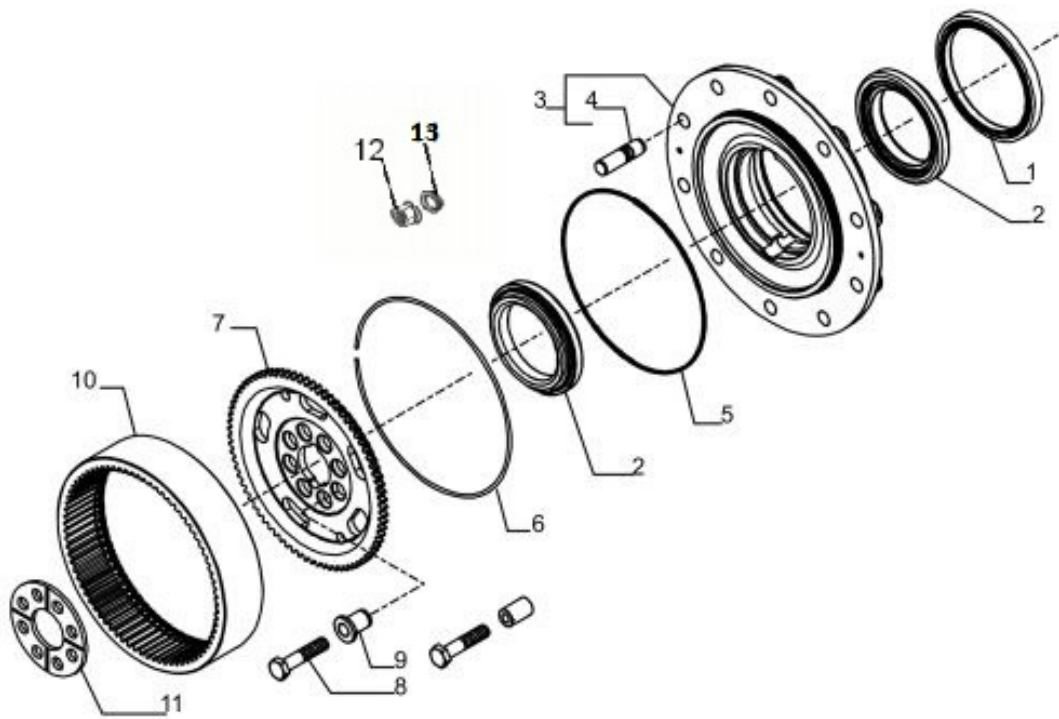


Refer to Parts Online for the most up to date information. The printed information might be outdated.

Mon Jun 17 09:44:40 UTC 2024

Item	Part No.	Name	Qty	L
1	4812104397	Half shaft	2	
2	4812104398	Coupling Bushing	2	
3	4812104399	Hub	2	
4	4812104400	Brake disc	6	
5	4812104401	Brake counter disc	6	
6	4812104402	Brake counter disc	2	
7	4812104403	Self Adjust Kit	2	
8	4812104404	O-ring	2	
9	4812108445	SLEEVE	2	
10	4812104406	O-ring	2	
11	4812104407	Positive Brake Piston	2	
12	4812104408	Washer	6	
13	4812104409	O-ring	6	
14	4812104456	Pin	6	
15	4812104457	O-ring	6	
16	4812108446	WASHER	4	
17	4812104459	Negative Brake piston	2	
18	4812104460	Ring	2	
19	4812104431	Snap ring	2	
20	4812104430	Half shaft with Gear Z=13 L220	2	

Wheel hub WHEEL HUB



Refer to Parts Online for the most up to date information. The printed information might be outdated.

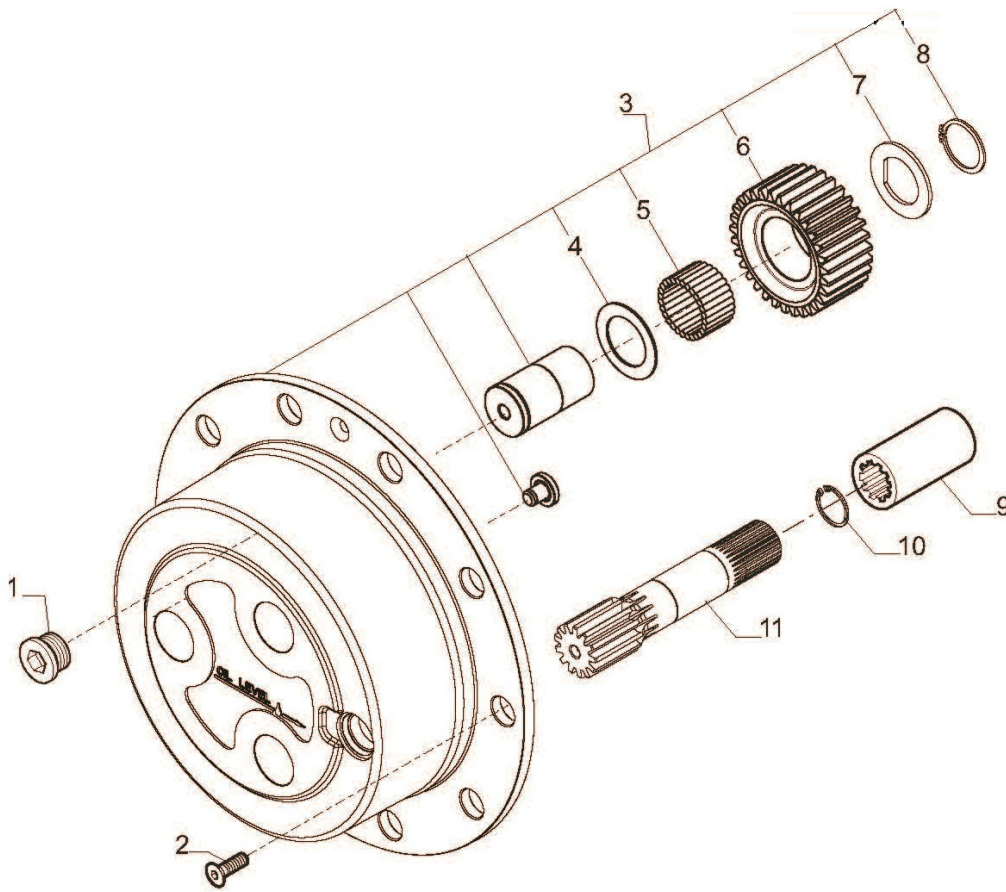
Mon Jun 17 09:44:40 UTC 2024

Item	Part No.	Name	Qty	L
1	4812104410	Seal ring	2	
2	4812104411	Bearing	4	
3	4812108449	WHEEL HUB KIT	2	
4	4812104412	Stud	20	
5	4812104414	O-ring	2	
6	4812104415	Ring	2	
7	4812104416	Wheel carrier	2	
8	4812104417	Bolt M14x65	16	
9	4812108450	BUSH	16	
10	4812108451	CROWN GEAR	2	
11	4812108452	WASHER	2	
12	4812104421	Nut	20	
13	4812104420	Washer	20	

Refer to Parts Online for the most up to date information. The printed information might be outdated.

Mon Jun 17 09:44:40 UTC 2024

Final Reduction Final reduction



Refer to Parts Online for the most up to date information. The printed information might be outdated.

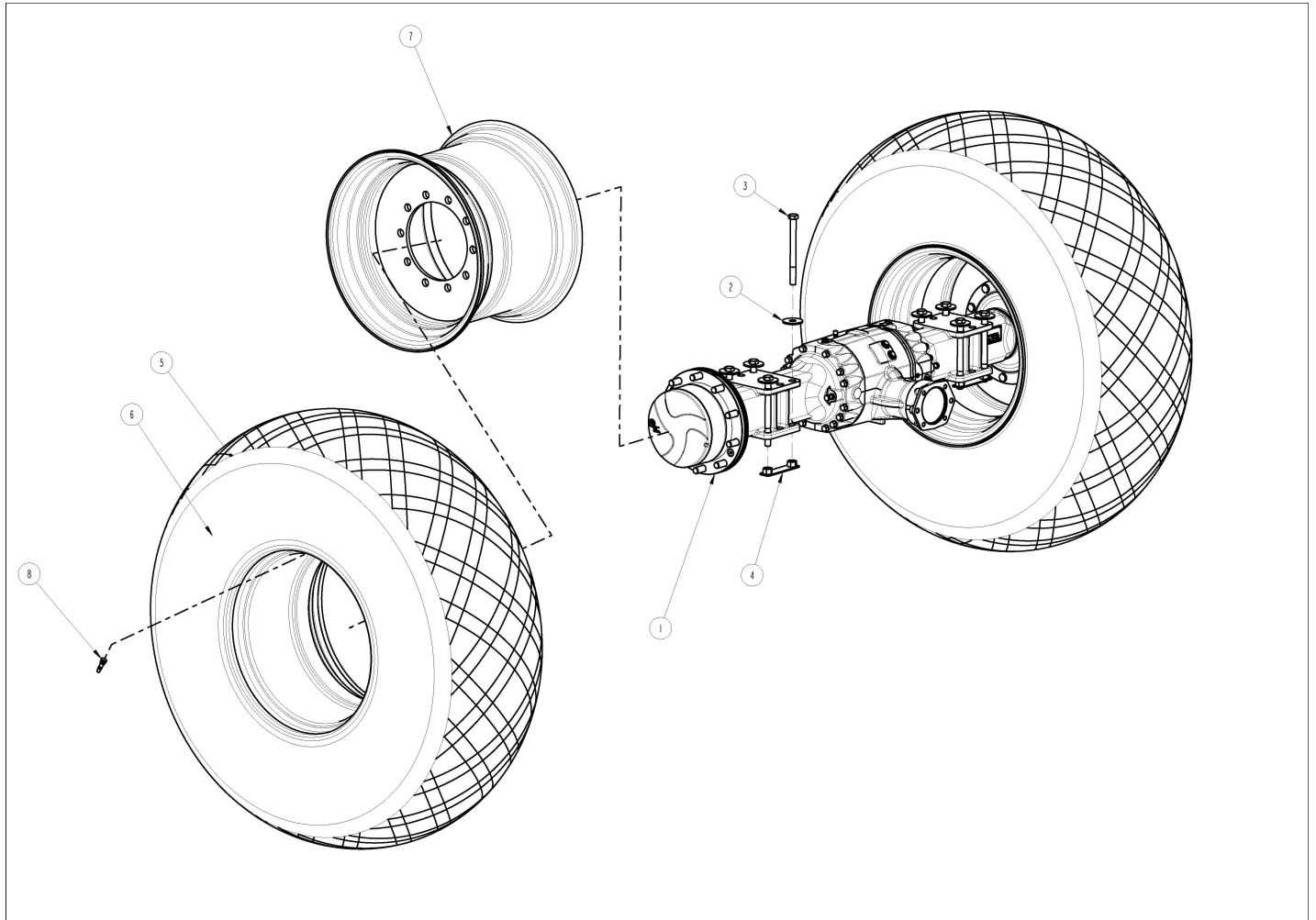
Mon Jun 17 09:44:40 UTC 2024

Item	Part No.	Name	Qty	L
1	4812104347	Plug M30x2	2	
2	4812104422	Bolt M8x20	4	
3	4812330888	Planetary carrier assy	2	
4	4812330889	Thrust washer	6	
5	4812330890	Bearing needles (by tens)	16.8	
6	4812330891	Gear Z=31	6	
7	4812330892	Thrust washer	6	
8	4812158473	Snap ring	6	
9	4812104398	Coupling Bushing	2	
10	4812104431	Snap ring	2	
11	4812330893	Half-shaft with gear Z=13	2	

Refer to Parts Online for the most up to date information. The printed information might be outdated.

Mon Jun 17 09:44:40 UTC 2024

Rear axle and Wheels from machine Sr no - E012247 Rear Axle & wheel



Refer to Parts Online for the most up to date information. The printed information might be outdated.

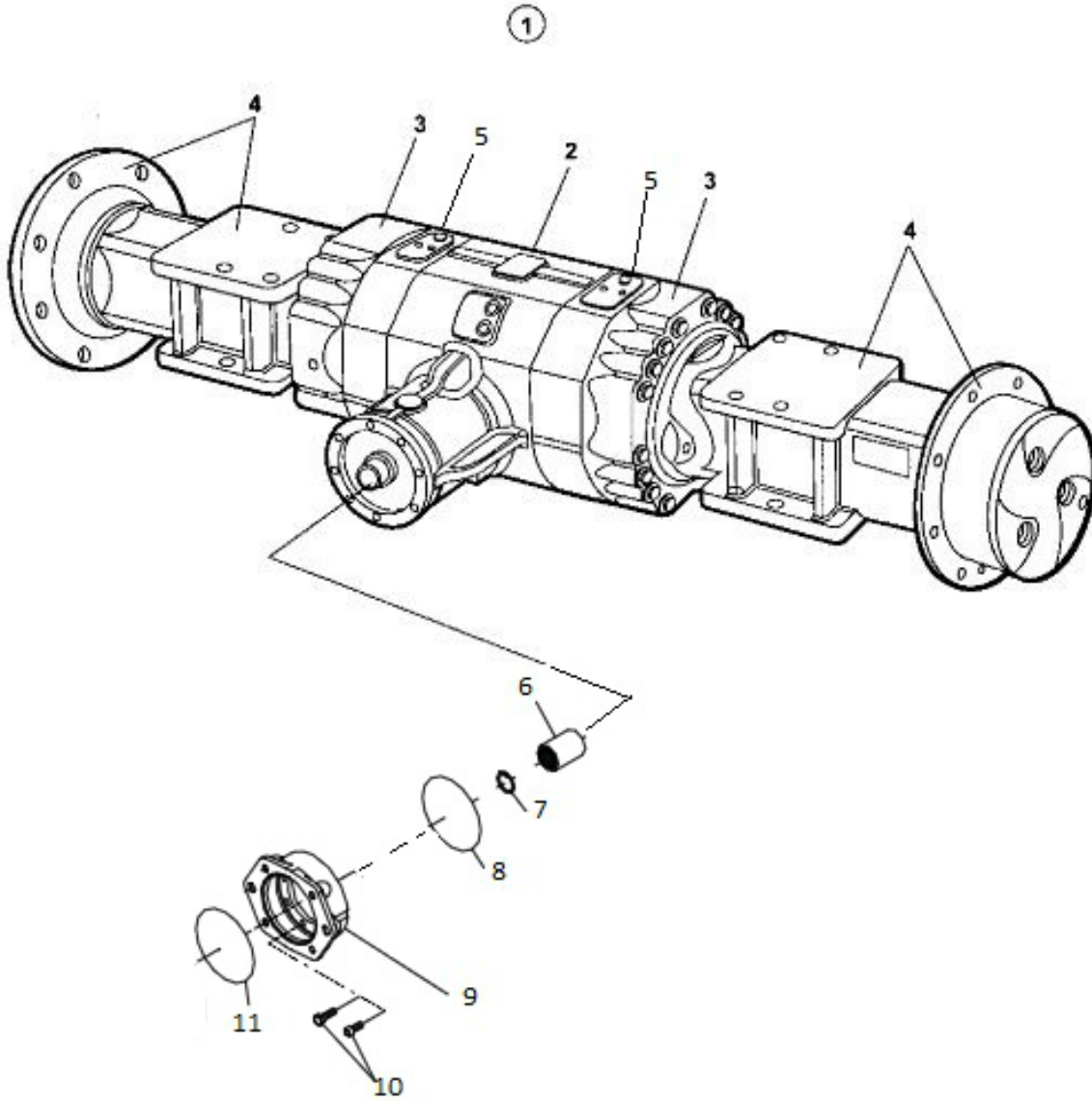
Mon Jun 17 09:44:41 UTC 2024

Item	Part No.	Name	Qty	L
1	4812128803	Rear axle LS	1	
2	4700347512	Spacer washer	8	
3	4700500295	Screw	8	
4	4812112393	Nut-plate	4	
5	4812109764	All-weather Tyre	2	
6	-	Water	495	
7	4812120674	Rim	2	
8	4700792261	Air charging valve Straight	2	

Refer to Parts Online for the most up to date information. The printed information might be outdated.

Mon Jun 17 09:44:41 UTC 2024

Rear axle and Wheels from machine Sr no - E012247 4812128803 Rear axle



Refer to Parts Online for the most up to date information. The printed information might be outdated.

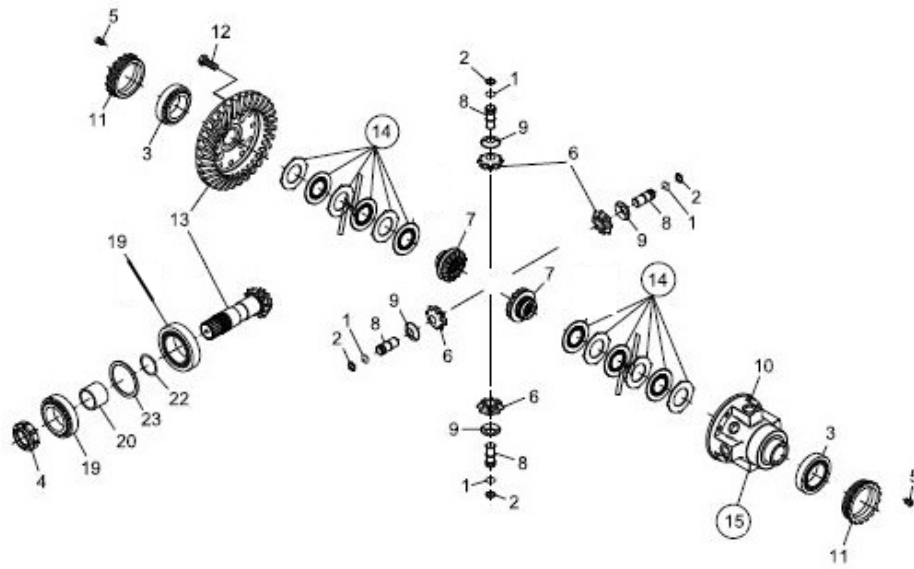
Mon Jun 17 09:44:41 UTC 2024

Item	Part No.	Name	Qty	L
1	4812128803	Rear axle LS	1	
2		Central housing	1	
3		Differential	2	
4	4812331696	Hub reduction	2	
5		Brake	2	
6	4812331817	Reduction Bushing	1	
7	4812331818	Circlip	1	
8	4700929648	O-ring	1	
9	4812331816	Hexagonal Flange	1	
10	4812105763	Screw	10	
11	4700909630	O-ring	1	

Refer to Parts Online for the most up to date information. The printed information might be outdated.

Mon Jun 17 09:44:41 UTC 2024

Rear axle and Wheels from machine Sr no - E012247 Differential



Refer to Parts Online for the most up to date information. The printed information might be outdated.

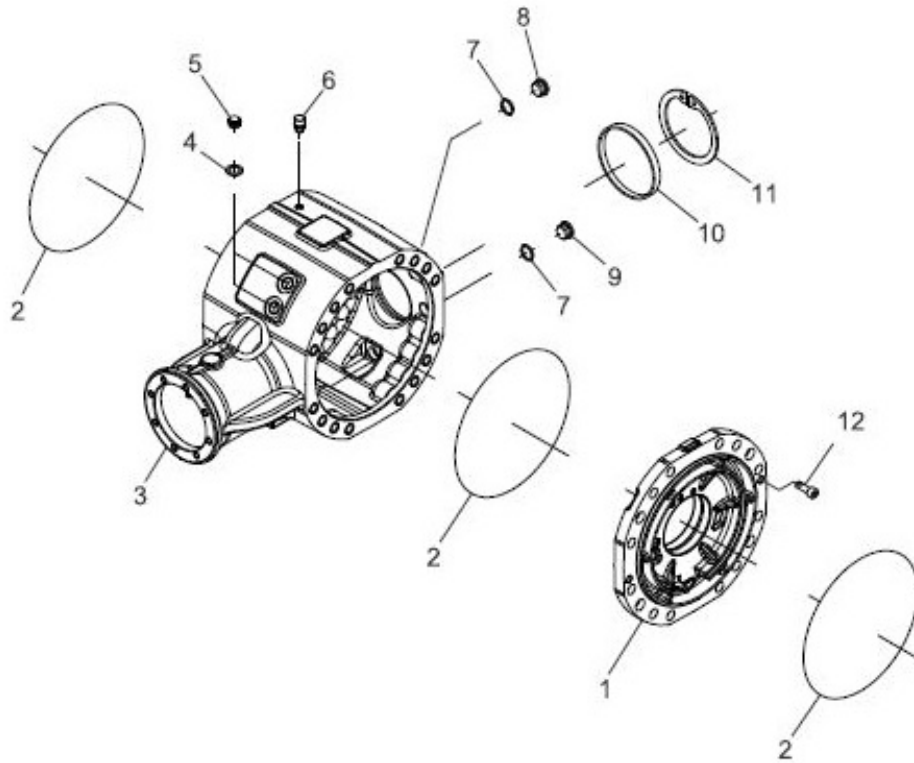
Mon Jun 17 09:44:41 UTC 2024

Item	Part No.	Name	Qty	L
15	4812331690	Differential kit	1	
1	4812105740	Circlip	4	
2	4812105741	Circlip	4	
6	4812105745	Planet gear	4	
7	4812105746	Differential side gear	2	
8	4812105747	Bolt	4	
9	4812105748	Washer	4	
10	4812105749	Differential carrier	1	
3	4812331689	Bearing	2	
4	4700938988	Ring nut	1	
5	4812105744	BOLT	2	
11	4812105750	RING NUT	2	
12	4812105751	Bolt	16	
13	4812105752	Bevel gear set	1	
14	4700938993	Disc kit	2	
19	4812157360	Terminal accessory pack	2	
20	4812331691	Spacer	1	
22	4812331692	Shim Kit	1	
23	4812331693	Shim Kit	1	

Refer to Parts Online for the most up to date information. The printed information might be outdated.

Mon Jun 17 09:44:41 UTC 2024

Rear axle and Wheels from machine Sr no - E012247 Central Housing

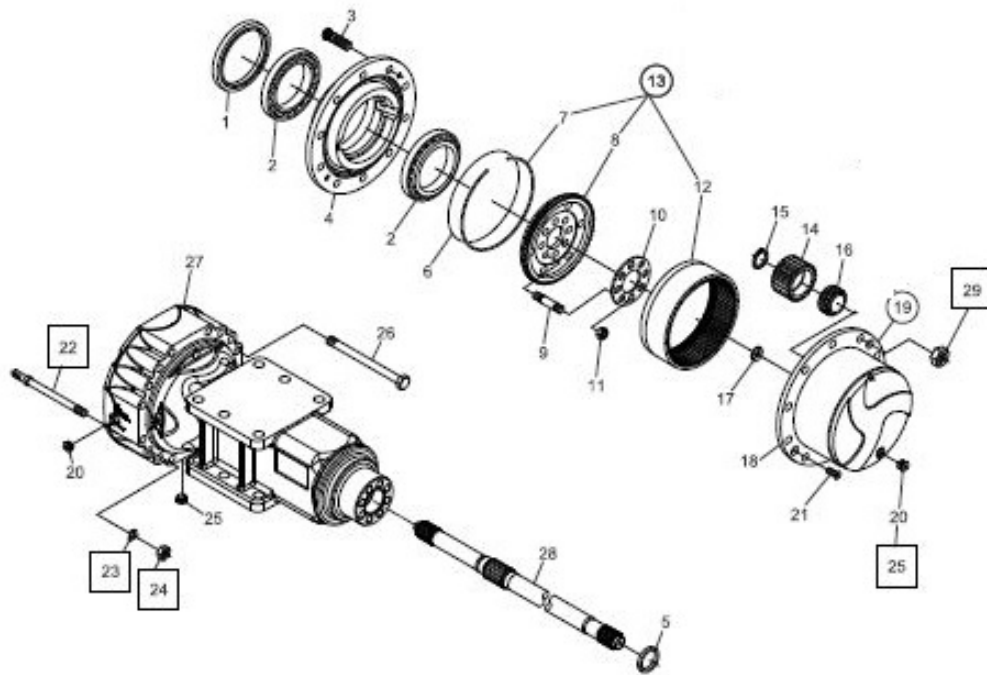


Refer to Parts Online for the most up to date information. The printed information might be outdated.

Mon Jun 17 09:44:42 UTC 2024

Item	Part No.	Name	Qty	L
1	4812331684	Cover	1	
2	4700909609	O-ring	3	
3	4812331685	Housing	1	
4	4700938983	Seal washer	2	
5	4812105734	Bolt	2	
6	4812331686	Plug	1	
7	-	Seal ring	2	
8	4700939348	Plug	1	
9	4700939350	Magnetic plug	1	
10	4700938296	Plug	1	
11	4700929617	Snap ring	1	
12	4812331687	Cylinder Bolt	2	

Rear axle and Wheels from machine Sr no - E012247 Hub Reduction



Refer to Parts Online for the most up to date information. The printed information might be outdated.

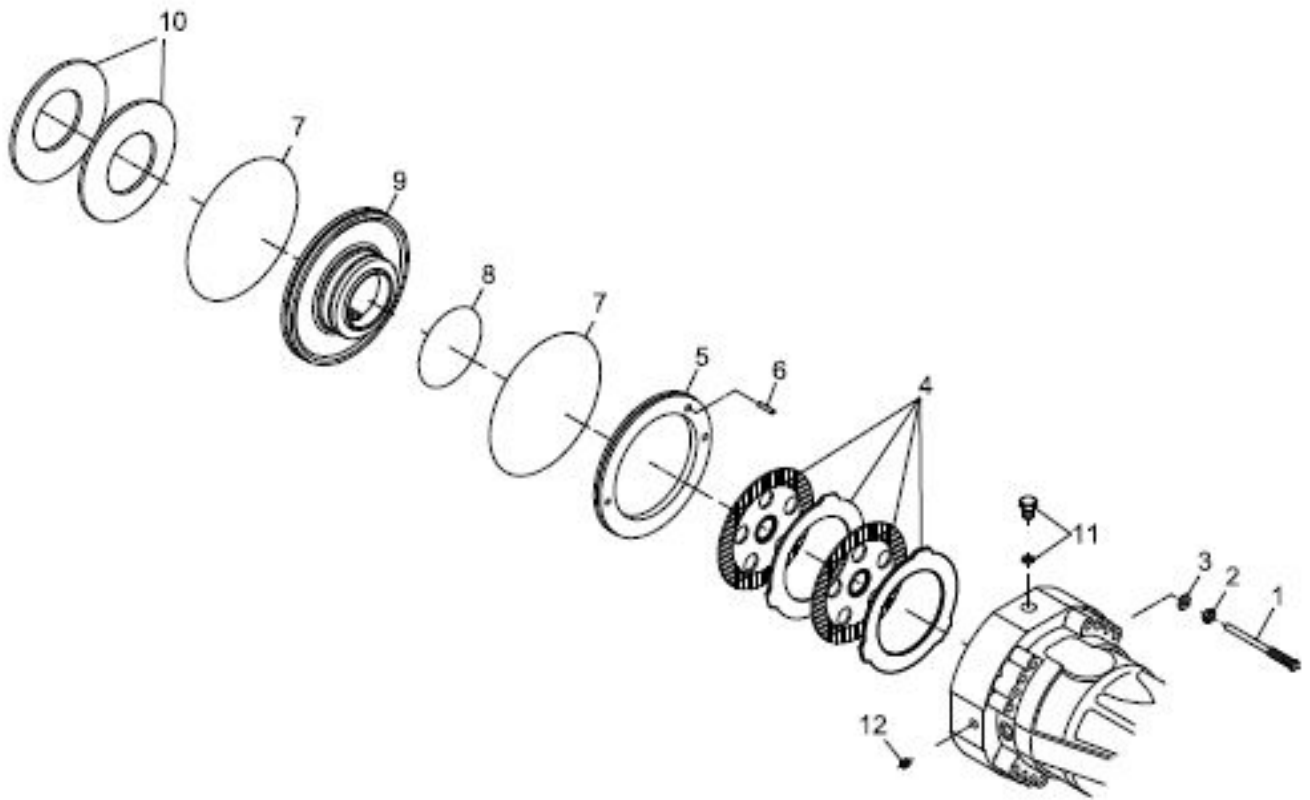
Mon Jun 17 09:44:42 UTC 2024

Item	Part No.	Name	Qty	L
1	4812156796	Seal	2	
2	4812105766	Taper rolling bearing	4	
3	4812331697	Wheel Stud	20	
4	4812331698	Whel hub	2	
5	4812105769	SEAL	2	
6	4812105770	O - ring	2	
9	4700939017	Stud	16	
10	4812105774	Locking plate	2	
11	4700939016	Nut	16	
12	4812156895	Ring gear	2	
13	4812157464	Ring gear support	2	
7	4812105771	CIRCLIP	2	
8	4812105772	Ring gear support	2	
19	4812331812	Planet gear carrier kit	2	
14	4700939272	Planet gear	6	
15	4700939271	Circlip	6	
16	4812331699	Bearing	6	
17	4700939270	Washer	2	
18	4812331811	Planet gear carrier	2	
20	4700939348	Plug	2	
21	4700939015	Screw	4	
22	-	Stud	8	
23	-	Washer	8	
24	-	Nut	8	
25	4700939350	Magnetic plug	4	
26	4812156894	Bolt	28	
27	4812331813	Axle case	2	
28	4812105791	Half shaft	2	
29	4700950341	Wheel nut	20	

Refer to Parts Online for the most up to date information. The printed information might be outdated.

Mon Jun 17 09:44:42 UTC 2024

Rear axle and Wheels from machine Sr no - E012247 Brake



Refer to Parts Online for the most up to date information. The printed information might be outdated.

Mon Jun 17 09:44:42 UTC 2024

Item	Part No.	Name	Qty	L
1	4700909626	Bolt	4	
2	4700900957	Nut	4	
3	4700926847	Sealing washer	4	
4	4812157465	Brake disc kit	2	
5	4812156955	Ring	2	
6	4812156956	Dowel	2	
7	4700909609	O-ring	4	
8	4812156954	O-ring	2	
9	4812156953	Piston	2	
10	4700909616	Spring	4	
11	4812156958	Plug	2	
12	4812157466	Plug	2	

Refer to Parts Online for the most up to date information. The printed information might be outdated.

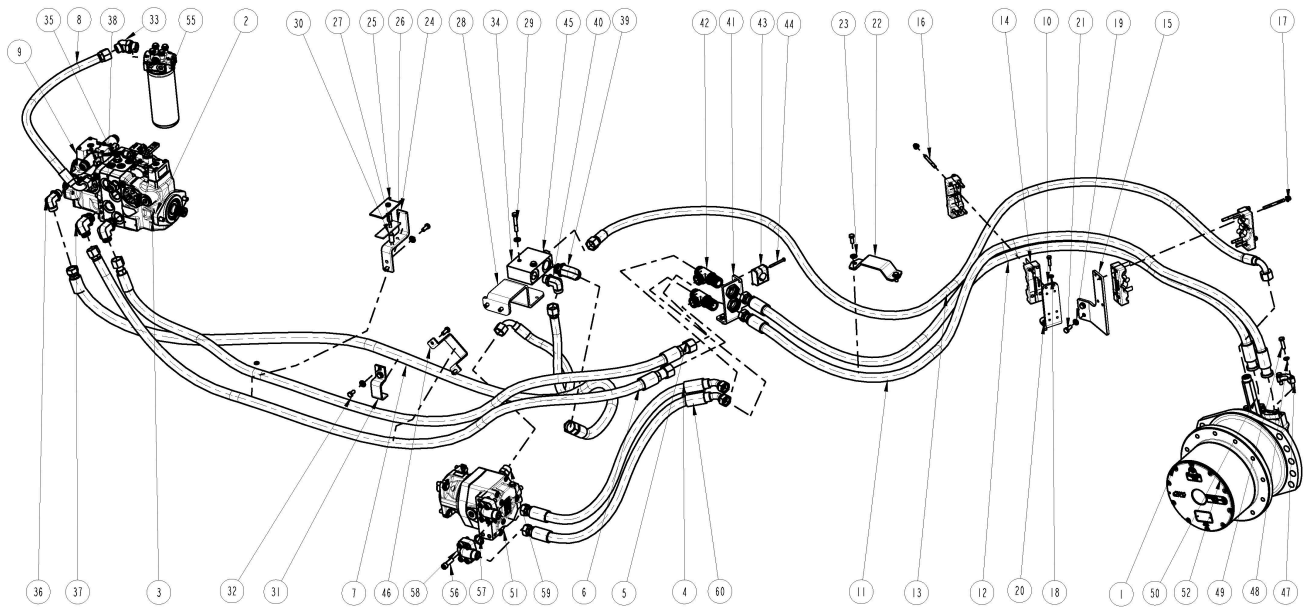
Mon Jun 17 09:44:42 UTC 2024

Hydraulic system Hydraulic system

**NO DRAWING
AVAILABLE
FOR THIS BOM**

Item	Part No.	Name	Qty	L
10	-	Propulsion system		
20	-	Vibration system		
30	-	Steering system		
40	-	Brake system		
50	-	Hydraulic oil tank		

Propulsion system Hydraulic propulsion system



L

Refer to Parts Online for the most up to date information. The printed information might be outdated.

Mon Jun 17 09:44:44 UTC 2024

Item	Part No.	Name	Qty	L
1	4812109731	MOTOR GEARBOX ASSEMBLY	1	
2	4700904703	Steel plain washer	2	
3	4700500194	Hexagon head screw M	2	
4	4812129302	Hydraulic hose	1	
5	4812109971	HYDRAULIC HOSE	1	
6	4812109972	HYDRAULIC HOSE	1	
7	4812330117	HYDRAULIC HOSE	1	
8	4812109464	HYDRAULIC HOSE	1	
9	4812129000	HYDRAULIC PUMP	1	
10	4812112308	Bracket	1	
11	4812109725	HYDRAULIC HOSE	1	
12	4812109726	HYDRAULIC HOSE	1	
13	4812330154	HYDRAULIC HOSE	1	
14	4812112306	Hose holder	4	
15	4812129328	BRACKET	1	
16	4700791860	Stud	8	
17	4700902286	Hexagon lock nut with flange	8	
18	4700904229	Steel plain washer	4	
19	4812122654	Steel plain washer	6	
20	4700500022	Hexagon head screw m	3	
21	4700500028	Hexagon head screw M	12	
22	4700373016	Hose holder	1	
23	4700904230	Steel plain washer	14	
24	4812109171	HOLDER BKT	1	
25	4812109175	HOLDER	1	
26	4812109176	HOSE SPACER	1	
27	4700500180	Hexagon head screw	1	
28	4812109975	Sheet metal part	1	
29	4700500109	Hexagon head screw	2	
30	4700373423	Spacer sleeve	2	
31	4812330219	Bracket	1	
32	4700500048	Hexagon head screw m	6	
33	4700791859	Connector elbow 45 orfs	1	
34	4812330116	Connection block	1	
35	4700791409	Straight connector ORFS	1	

Refer to Parts Online for the most up to date information. The printed information might be outdated.

Mon Jun 17 09:44:44 UTC 2024

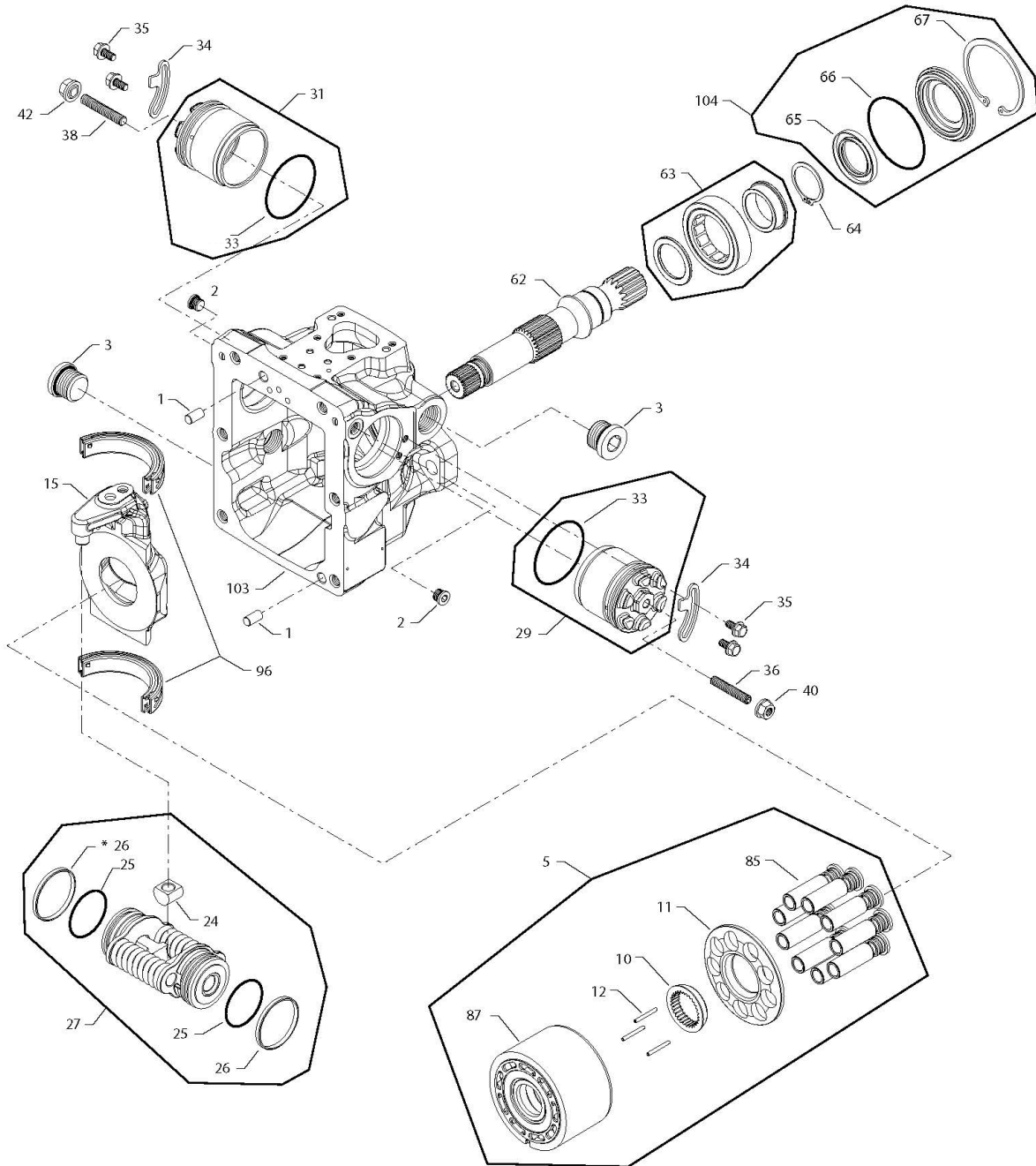
Item	Part No.	Name	Qty	L
36	4812109686	ELBOW CONNECTOR	1	
37	4700791321	Connector elbow 90 orfs	2	
38	4700791539	Straight connector orfs	1	
39	4700792299	Connector elbow 90 ORFS	1	
40	4700791231	Connector elbow 90 ORFS	1	
41	4812129347	Bracket	1	
42	4811000263	Bulkhead union T ORFS	2	
42	4812118869	Bulkhead union T ORFS	2	
43	4700901139	Pipe clamp block	1	
44	4700500187	Hexagon head screw	2	
45	4700791823	Straight connector ORFS	1	
46	4812129367	BRACKET	1	
47	4700929226	Split flange	4	
48	4700904637	Steel plain washer	8	
49	4700500030	Hexagon screw M	8	
50	4812330093	STRAIGHT CONNECTOR	1	
51	4812128987	Hydraulic motor	1	
51a	4700160132	O-ring 70	1	
51	4812128951	Hydraulic Motor	1	
52	4812330213	Hydraulic motor & gear Box	1	
52a	4812330214	Gear box	1	
52	4812330906	Hydraulic motor & gear Box	1	
52a	4812330905	Gear Box	1	
54	4812330119	Hydraulic hose	1	
55	4812112260	Hydraulic oil filter, cpl	1	
56	4700508063	Hexagon socket head cap	8	
57	4700904005	O-ring 90	2	
58	4812129296	FLANGE CONNECTOR 90	2	
59	4700904728	Tee-connector orfs	1	
60	4812129302	Hydraulic hose	1	

Refer to Parts Online for the most up to date information. The printed information might be outdated.

Mon Jun 17 09:44:44 UTC 2024

This page intentionally left blank

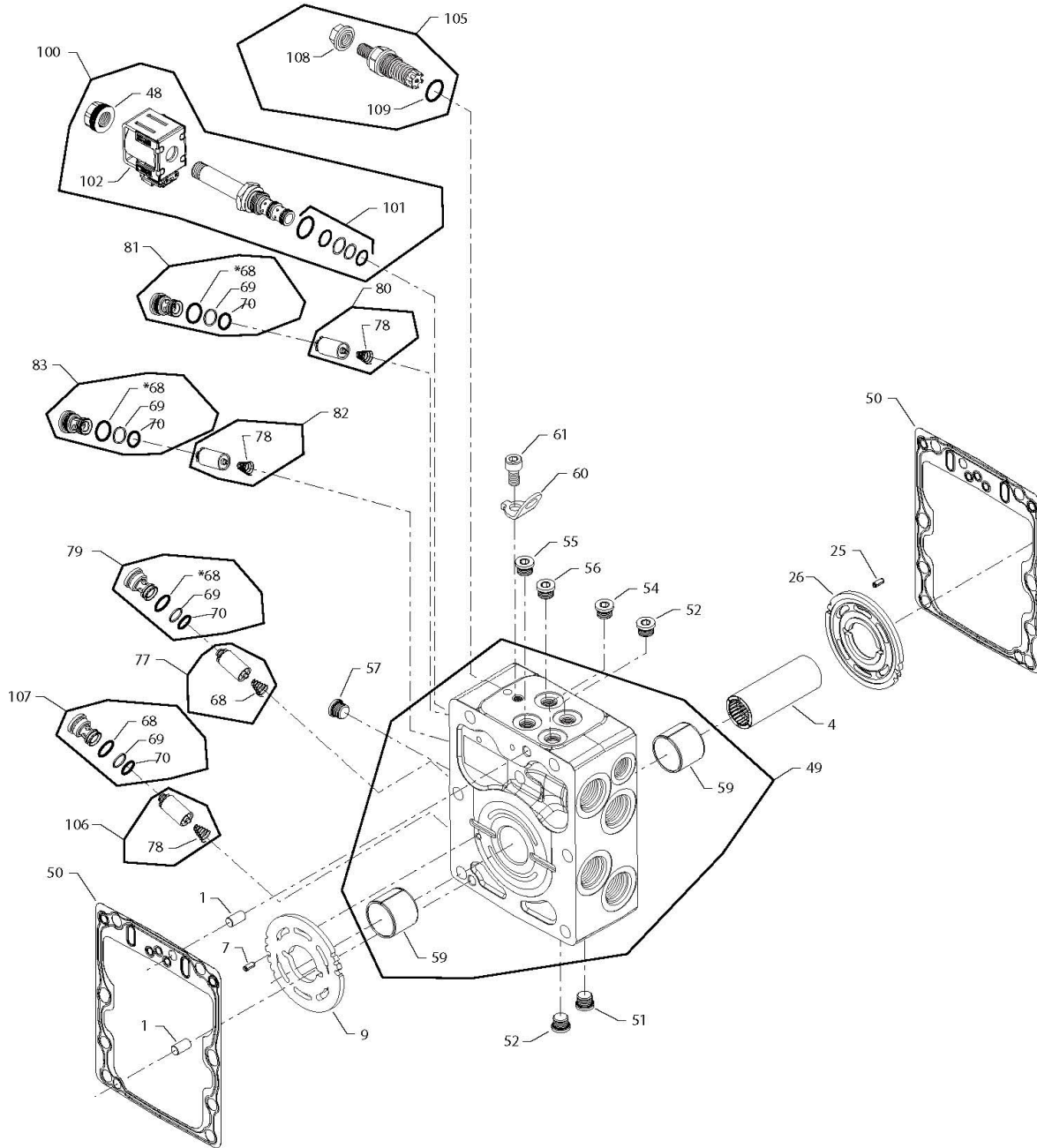
Hydraulic pump - 4812129000 Hydraulic pump



Refer to Parts Online for the most up to date information. The printed information might be outdated.

Mon Jun 17 09:44:44 UTC 2024

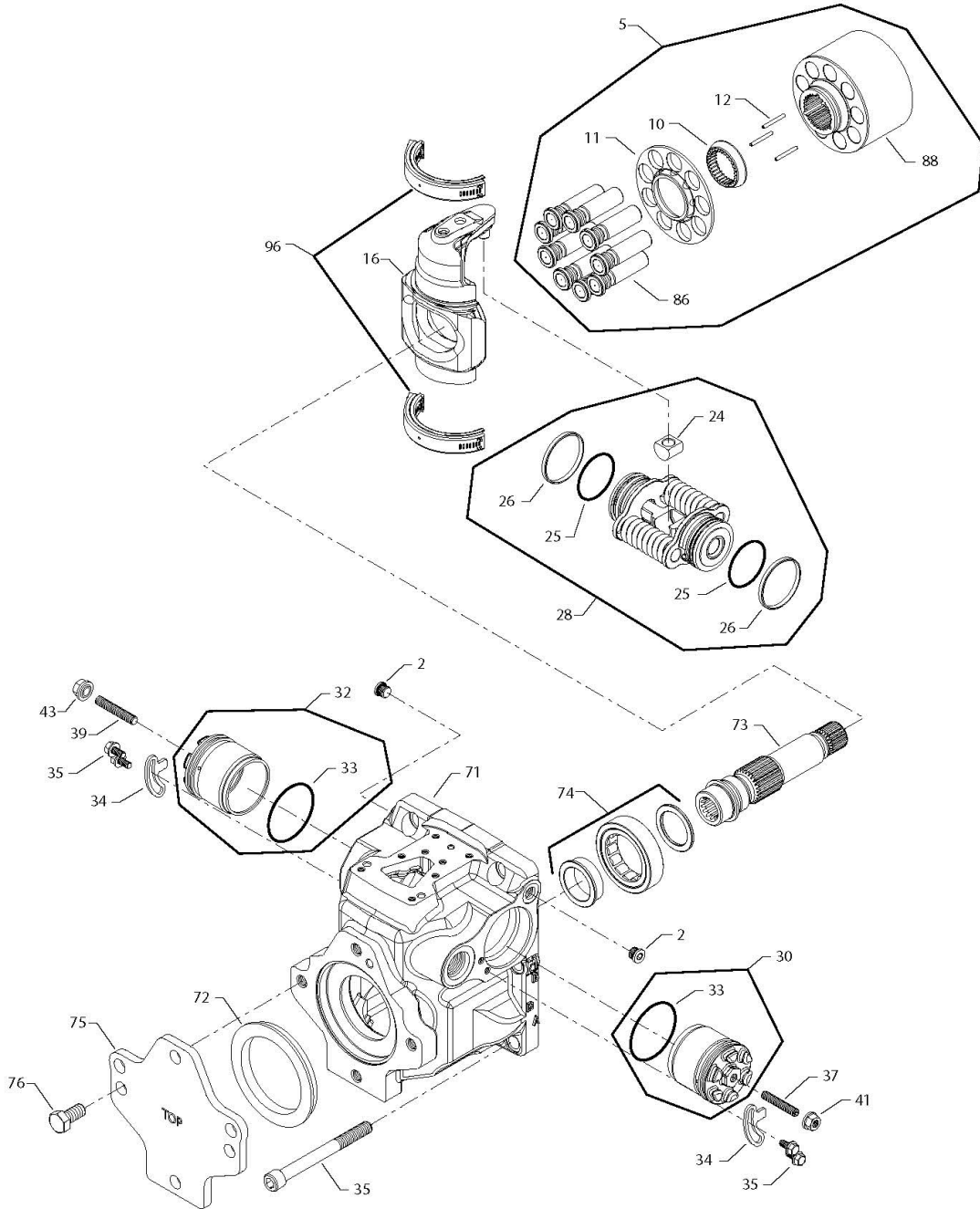
This page intentionally left blank



Refer to Parts Online for the most up to date information. The printed information might be outdated.

Mon Jun 17 09:44:45 UTC 2024

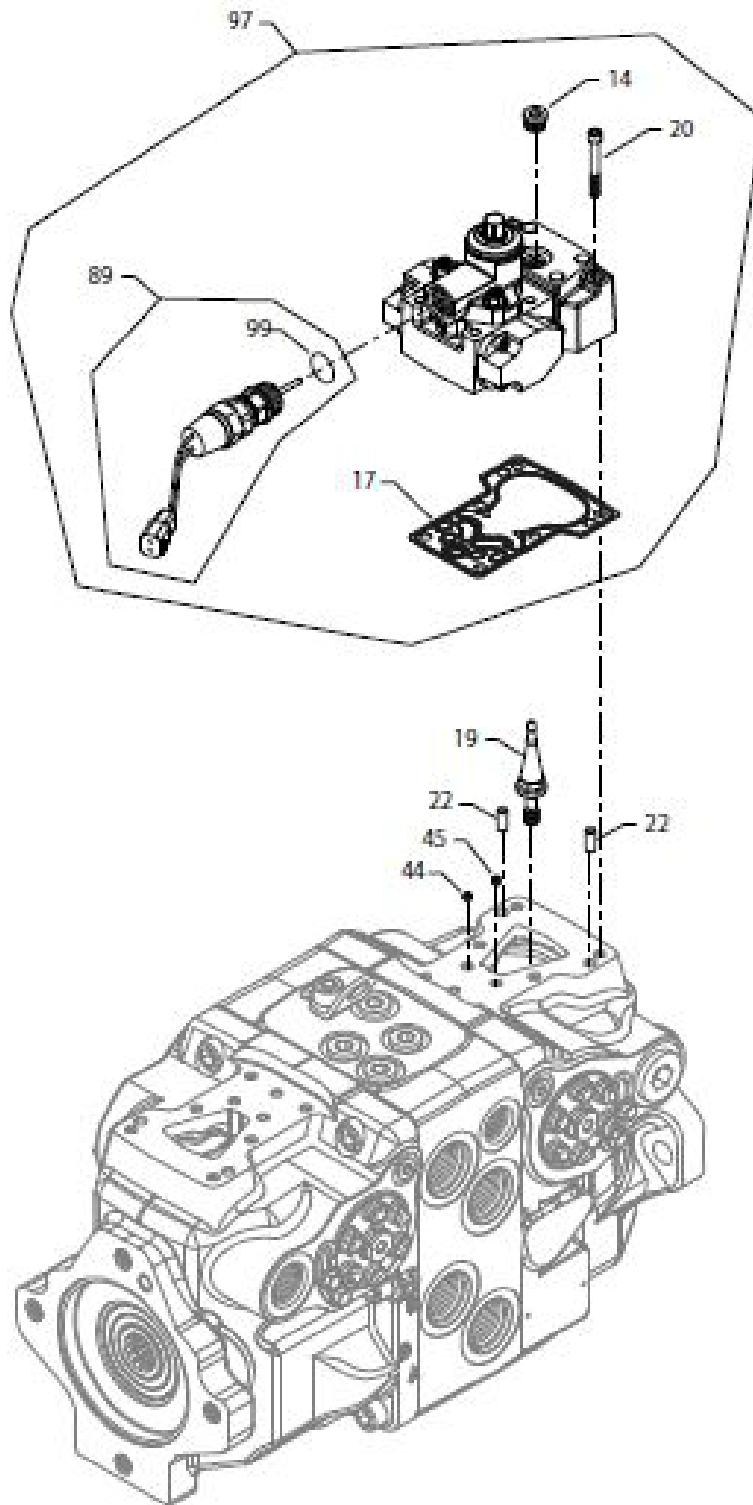
This page intentionally left blank



Refer to Parts Online for the most up to date information. The printed information might be outdated.

Mon Jun 17 09:44:45 UTC 2024

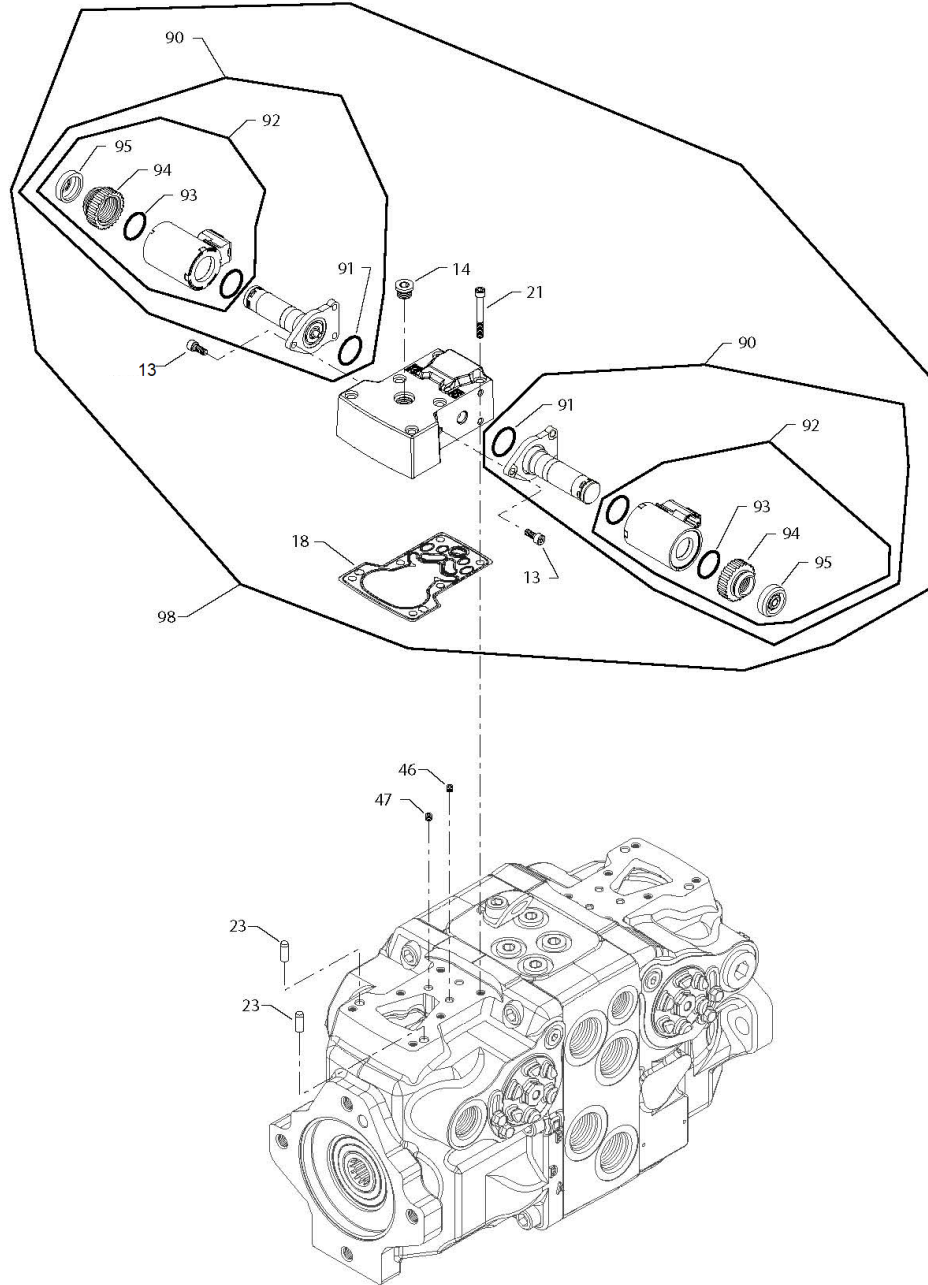
This page intentionally left blank



Refer to Parts Online for the most up to date information. The printed information might be outdated.

Mon Jun 17 09:44:45 UTC 2024

This page intentionally left blank



Refer to Parts Online for the most up to date information. The printed information might be outdated.

Mon Jun 17 09:44:46 UTC 2024

Item	Part No.	Name	Qty	L
0	4812129000	HYDRAULIC PUMP	1	
1	4812330021	Pin	4	
2	4812330022	Plug assembly	4	
3	4700902928	Plug	2	
4	4812330023	Coupling	1	
5	4812330533	Cylinder block kit	1	
6	4700950618	Cylinder block kit	1	
7	4700828142	Spring	2	
8	4812330024	Valve plate, CW	1	
9	4812330025	Valve plate, CCW	1	
10	4812330026	Slipper retainer guide	2	
11	4812330027	Slipper retainer	2	
12	4812106781	Slipper hold down pin	6	
13	4812330028	Screw	6	
14	4812330029	Plug assembly	2	
15	4812330030	Swashplate	1	
16	4812330030	Swashplate	1	
17	4812046522	Sealing	1	
18	4812046522	Sealing	1	
19	4812330032	Feedback link	1	
20	4812330033	Screw	6	
21	4812330033	Screw	6	
22	4812160684	Dowel pin	2	
23	4812160684	Dowel pin	2	
24	4812330035	Slider block	2	
25	4812330036	O-ring	4	
26	4812160685	Piston ring	4	
27	4812330037	Servo piston assembly	1	
28	4812330037	Servo piston assembly	1	
29	4812161696	Servo cylinder assembly	1	
30	4812161696	Servo cylinder assembly	1	
31	4812161696	Servo cylinder assembly	1	
32	4812161696	Servo cylinder assembly	1	
33	4812330039	O-ring	4	
34	4812330040	Locking plate	4	

Refer to Parts Online for the most up to date information. The printed information might be outdated.

Mon Jun 17 09:44:46 UTC 2024

Item	Part No.	Name	Qty	L
35	4812330041	Screw	8	
36	4700936930	Set screw	1	
37	4700936930	Set screw	1	
38	4700936930	Set screw	1	
39	4700936930	Set screw	1	
40	4812330042	Seal nut	1	
41	4812330042	Seal nut	1	
42	4812330042	Seal nut	1	
43	4812330042	Seal nut	1	
44	4812330046	Orifice, 0.8mm	1	
45	4812330046	Orifice, 0.8mm	1	
46	4812330046	Orifice, 0.8mm	1	
47	4812330046	Orifice, 0.8mm	1	
48	4812330050	Nut	1	
49	4812330051	Center section assembly	1	
50	4812330052	End cap gasket	2	
51	4700908432	Plug	1	
52	4700908432	Plug	1	
53	4700908432	Plug	1	
54	4700908432	Plug	1	
55	4700908432	Plug	1	
56	4700908432	Plug	1	
57	4700908432	Plug	1	
58	4812330053	Screw	6	
59	4812104457	O-ring	2	
60	4812330054	Lifting bracket	1	
61	4812330055	Screw	1	
62	4812330056	Shaft	1	
63	4700937063	Ball bearing	1	
64	4700901727	Snap ring	1	
65	4812104409	O-ring	1	
66	4812330057	O-ring	1	
67	4700828112	Retaining ring	1	
68	4812104772	O-ring	4	
69	4812106361	Ring	4	

Refer to Parts Online for the most up to date information. The printed information might be outdated.

Mon Jun 17 09:44:46 UTC 2024

Item	Part No.	Name	Qty	L
70	4812330058	O-ring	4	
71	4812330059	Housing	1	
72	4812313326	Seal-B pad	1	
73	4812330534	Shaft	1	
74	4700937063	Ball bearing	1	
75	4812330061	Cover	1	
76	4812330062	Screw	4	
77	4812330063	SCR valve assembly, 350 bar	1	
78	4812330064	Spring	4	
79	4812330065	SCR bypass plug assembly	1	
80	4812330063	SCR valve assembly, 350 bar	1	
81	4812330065	SCR bypass plug assembly	1	
82	4812330068	SCR valve assembly, 280 bar	1	
83	4812330065	SCR bypass plug assembly	1	
84	4812330070	Overhaul seal kit	1	
85	4812330535	Piston assembly kit	1	
86	4812330071	Piston assembly kit	1	
87	4812330536	Cylinder block assembly	1	
88	4812330073	Cylinder block assembly	1	
89	4812330075	NSS kit	1	
90	4812159069	Solenoid valve	2	
91	4812157371	O-ring	2	
92	4700950617	Coil	2	
93	4812330076	O-ring	2	
94	4812330077	Nut	2	
95	4812330078	Cap	2	
96	4812155955	Swashplate bearing kit	2	
97	4812330079	MDC control kit with NSS	1	
98	4812157991	Control valve, cpl	1	
99	4812330080	O-ring	1	
100	4812330081	Control cut off kit	1	
101	4812330082	Control cut off seal kit	1	
102	4812330083	Control cut off coil kit	1	
103	4812330084	Housing	1	
104	4812330086	Shaft Seal	1	

Refer to Parts Online for the most up to date information. The printed information might be outdated.

Mon Jun 17 09:44:46 UTC 2024

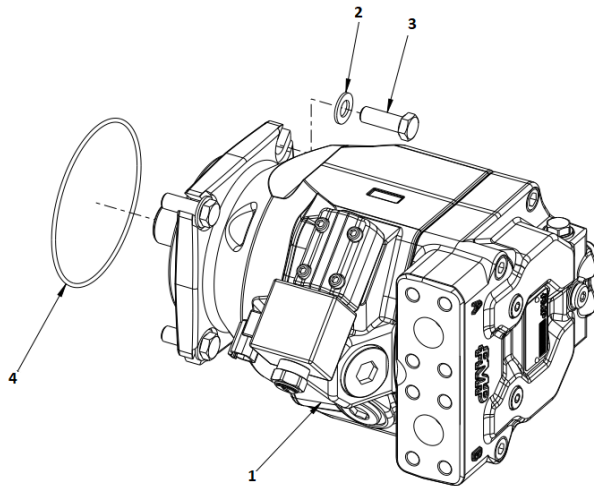
Item	Part No.	Name	Qty	L
105	4812330085	Charge relief valve kit	1	
106	4812330068	SCR valve assembly, 280 bar	1	
107	4812330065	SCR bypass plug assembly	1	
108	4812330089	Nut	1	
109	4812104772	O-ring	1	

Refer to Parts Online for the most up to date information. The printed information might be outdated.

Mon Jun 17 09:44:46 UTC 2024

This page intentionally left blank

Hydraulic motor-4812128951 Propulsion Motor Module

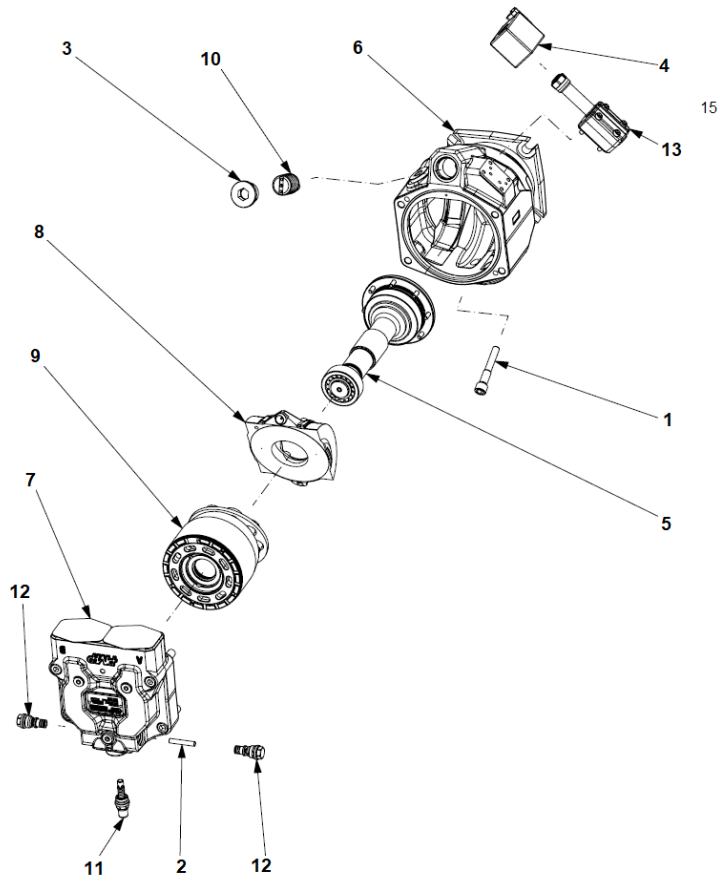


Item	Part No.	Name	Qty	L
1	4812128951	Hydraulic Motor	1	
2	4700904231	Steel plain washer	4	
3	4700500037	Hexagon head screw M	4	
4	4700160132	O-ring 70	1	

Refer to Parts Online for the most up to date information. The printed information might be outdated.

Mon Jun 17 09:44:46 UTC 2024

Hydraulic motor-4812128951 Propulsion Motor assy



Refer to Parts Online for the most up to date information. The printed information might be outdated.

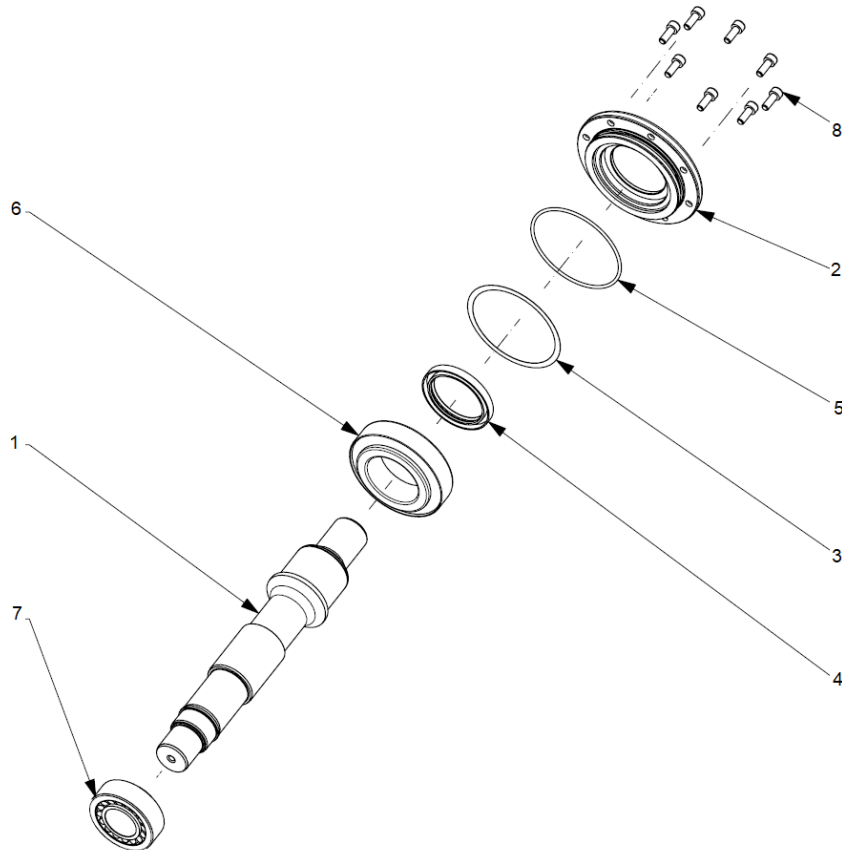
Mon Jun 17 09:44:46 UTC 2024

Item	Part No.	Name	Qty	L
1	4812325804	Screw	1	
2	4812325805	Pin	1	
3	4812325806	Plug	1	
4	4812325807	Coil	1	
5		Shaft assy	1	
6		Body assy	1	
7		Distributor assy	1	
8		Plate assembly	1	
9		Rotor assy	1	
10		Servo piston assy	1	
11		Relief valve assy	1	
12		Flushing valve assy	2	
13	4812326053	Control valve assy	1	
14	4812325855	Seal kit	1	
15	4812326199	Control valve + Coil	1	

Refer to Parts Online for the most up to date information. The printed information might be outdated.

Mon Jun 17 09:44:46 UTC 2024

Hydraulic motor-4812128951 Shaft assy



Refer to Parts Online for the most up to date information. The printed information might be outdated.

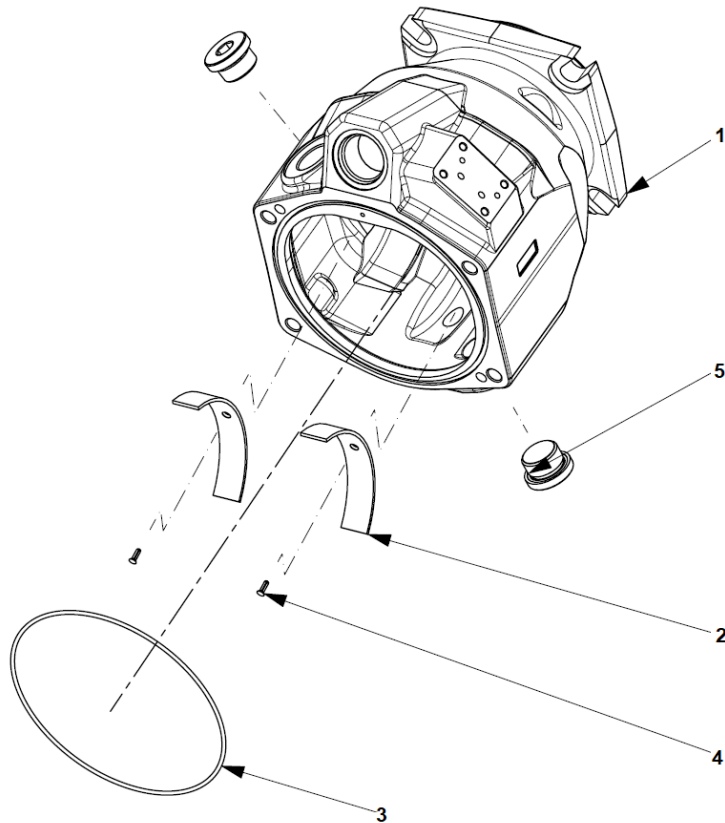
Mon Jun 17 09:44:46 UTC 2024

Item	Part No.	Name	Qty	L
1	4812325808	Shaft	1	
2	4812325809	Flange	1	
3	4812325810	Shim	1	
4	4812325811	Shaft seal	1	
5	4812325812	O-ring	1	
6	4812325813	Roller bearing	1	
7	4812325814	Roller bearing	1	
8	4812325815	Screw	8	

Refer to Parts Online for the most up to date information. The printed information might be outdated.

Mon Jun 17 09:44:46 UTC 2024

Hydraulic motor-4812128951 Body assy



Refer to Parts Online for the most up to date information. The printed information might be outdated.

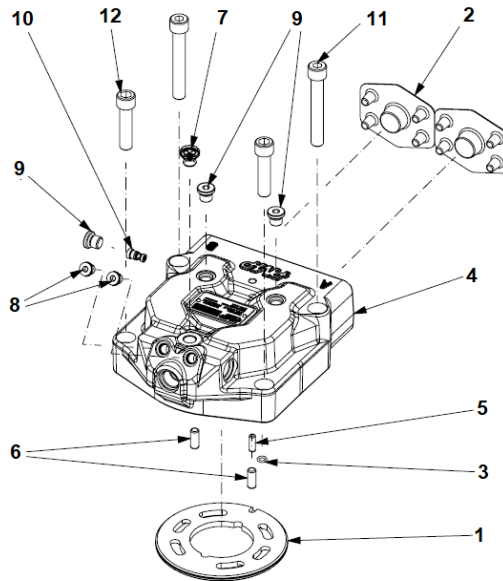
Mon Jun 17 09:44:46 UTC 2024

Item	Part No.	Name	Qty	L
1	4812325823	Housing	1	
2	4812325824	Cradle bearing	2	
3	4812330442	O-ring	1	
4	4812325826	Screw	2	
5	4812325827	Plug	2	

Refer to Parts Online for the most up to date information. The printed information might be outdated.

Mon Jun 17 09:44:46 UTC 2024

Hydraulic motor-4812128951 Distributor assy



Refer to Parts Online for the most up to date information. The printed information might be outdated.

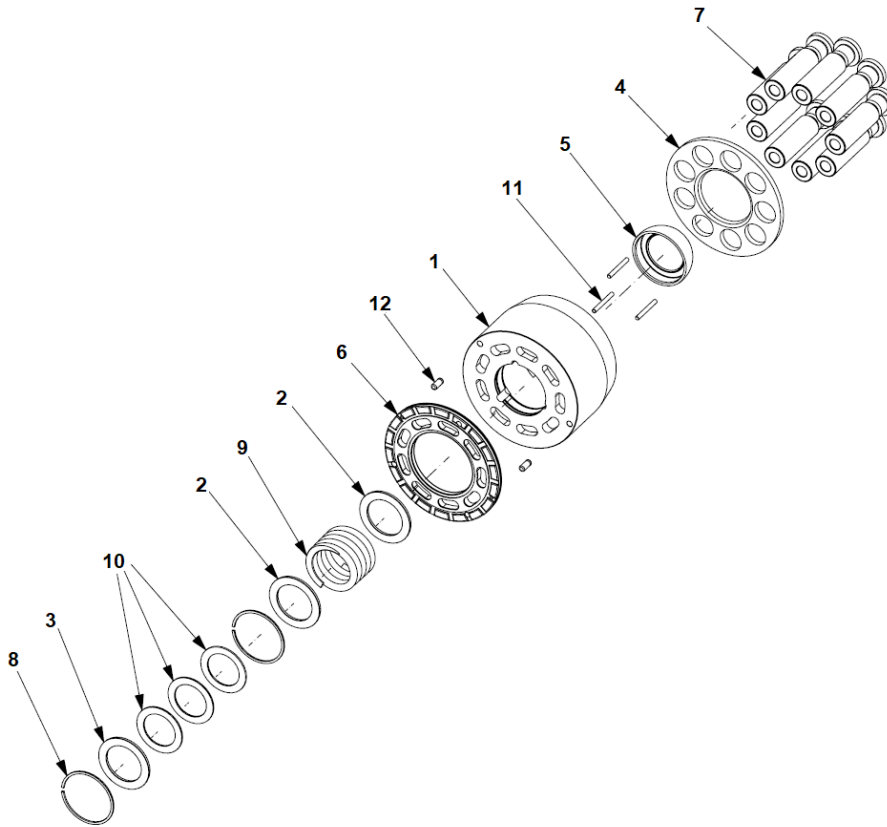
Mon Jun 17 09:44:47 UTC 2024

Item	Part No.	Name	Qty	L
1	4812325828	DISTRIBUTOR NAMEPLATE	1	
2	4812325829	Plug	2	
3	4812325830	O-RING	1	
4	4812325831	Brass rivet	2	
5	4812325832	ROLLER	1	
6	4812325833	DOWEL PIN	2	
7	4812325834	PLUG	1	
8	4812325835	PLUG	2	
9	4812325836	PLUG	3	
10	4812325837	Shuttle valve	1	
11	4812325838	SCREW	2	
12	4812325839	SCREW	2	

Refer to Parts Online for the most up to date information. The printed information might be outdated.

Mon Jun 17 09:44:47 UTC 2024

Hydraulic motor-4812128951 Rotor assy



Refer to Parts Online for the most up to date information. The printed information might be outdated.

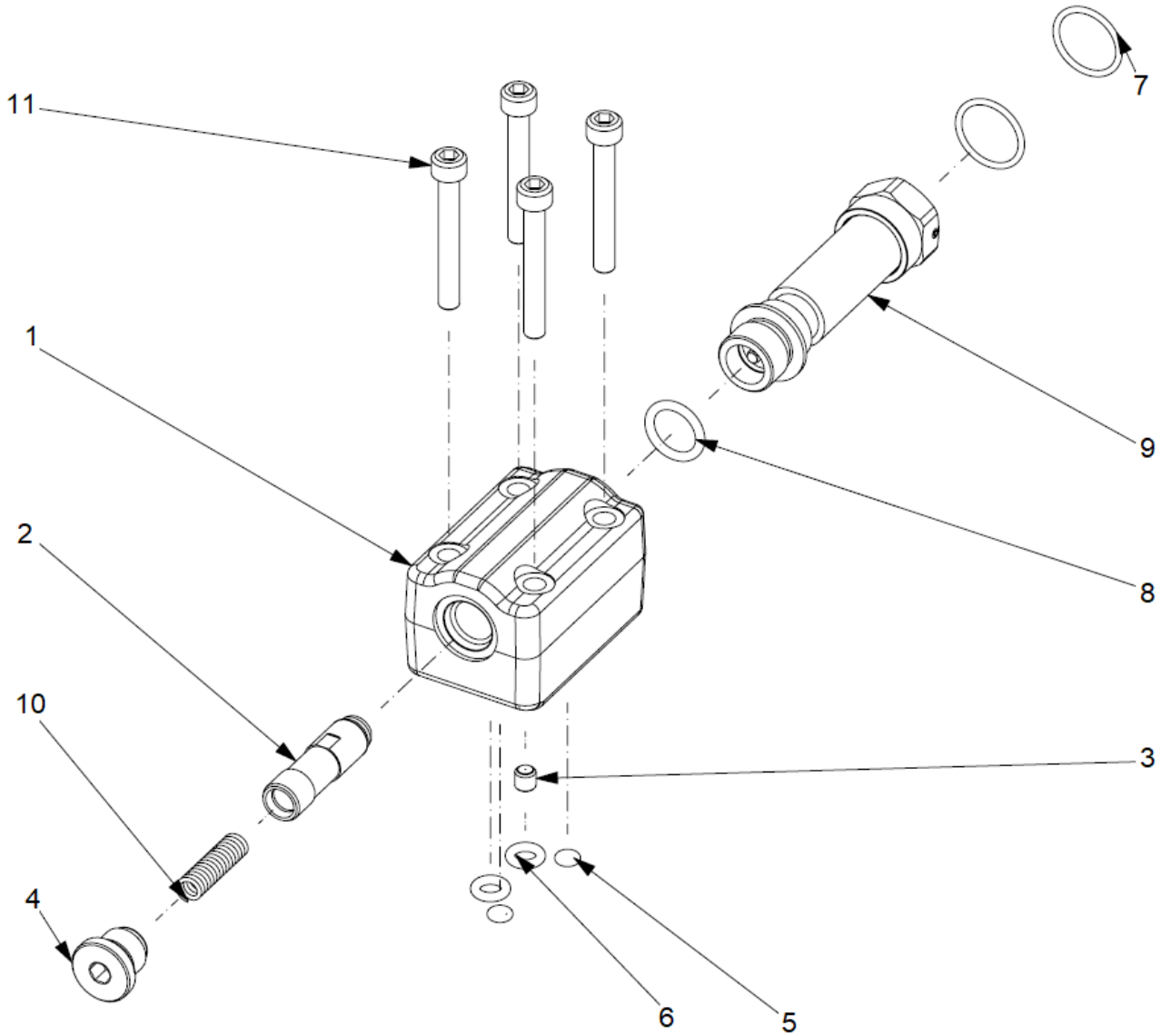
Mon Jun 17 09:44:47 UTC 2024

Item	Part No.	Name	Qty	L
1	4812325840	Cylinder	1	
2	4812325841	Shim	2	
3	4812325842	Shim	1	
4	4812325843	Retaining plate	1	
5	4812325844	Radial spherical plain bearing	1	
6	4812325845	Pressure plate	1	
7	4812325846	Piston	9	
8	4812325847	Sealing ring	2	
9	4812325848	Spring	1	
10	4812325849	Disc spring	3	
11	4812325850	Pin	3	
12	4812325851	Plug	2	

Refer to Parts Online for the most up to date information. The printed information might be outdated.

Mon Jun 17 09:44:47 UTC 2024

Hydraulic motor-4812128951 Flushing valve assy

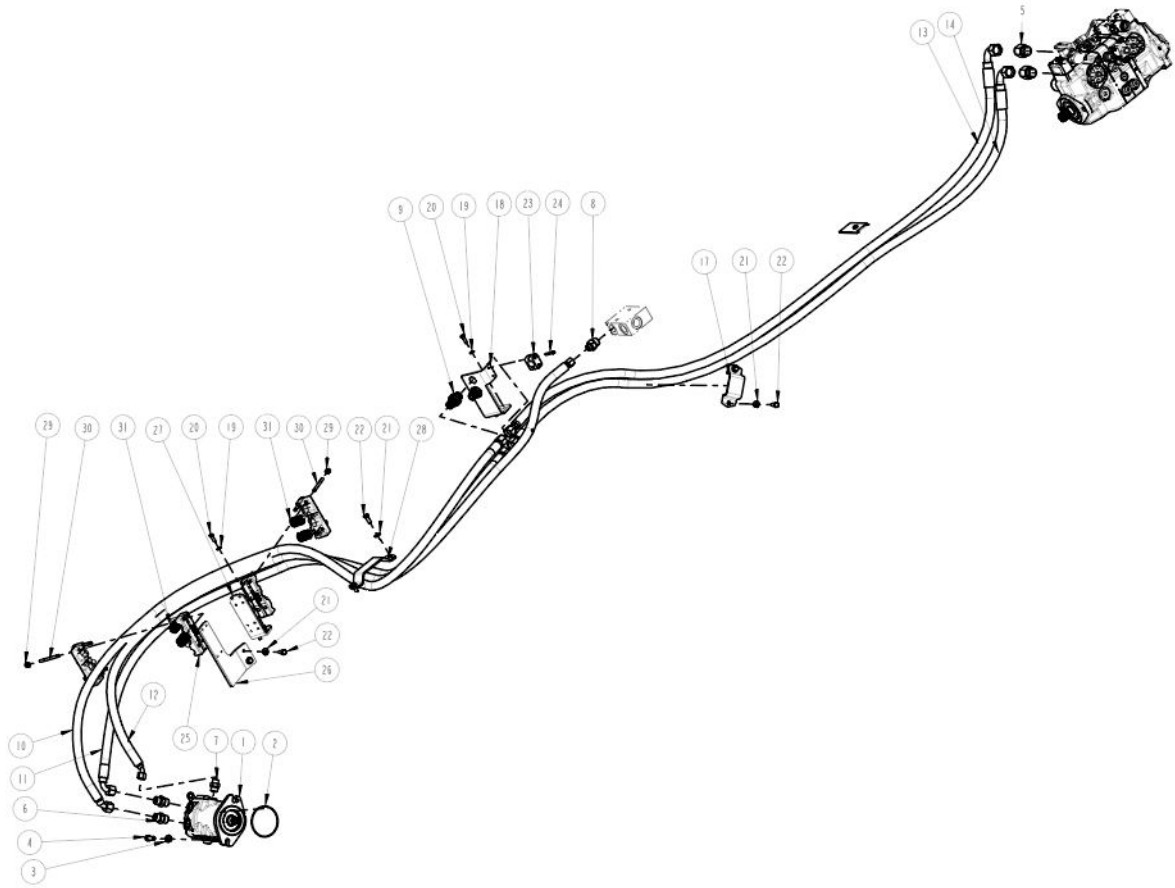


Refer to Parts Online for the most up to date information. The printed information might be outdated.

Mon Jun 17 09:44:47 UTC 2024

Item	Part No.	Name	Qty	L
1	-	Valve body	1	
2	-	Spool	1	
3	-	Orifice	1	
4	-	Plug	1	
5	-	O-ring	2	
6	-	O-ring	2	
7	-	O-ring	2	
8	-	O-ring	1	
9	-	Spool	1	
10	4812325911	Spring	1	
11		Blind cover	4	

Vibration system Vibration system



Refer to Parts Online for the most up to date information. The printed information might be outdated.

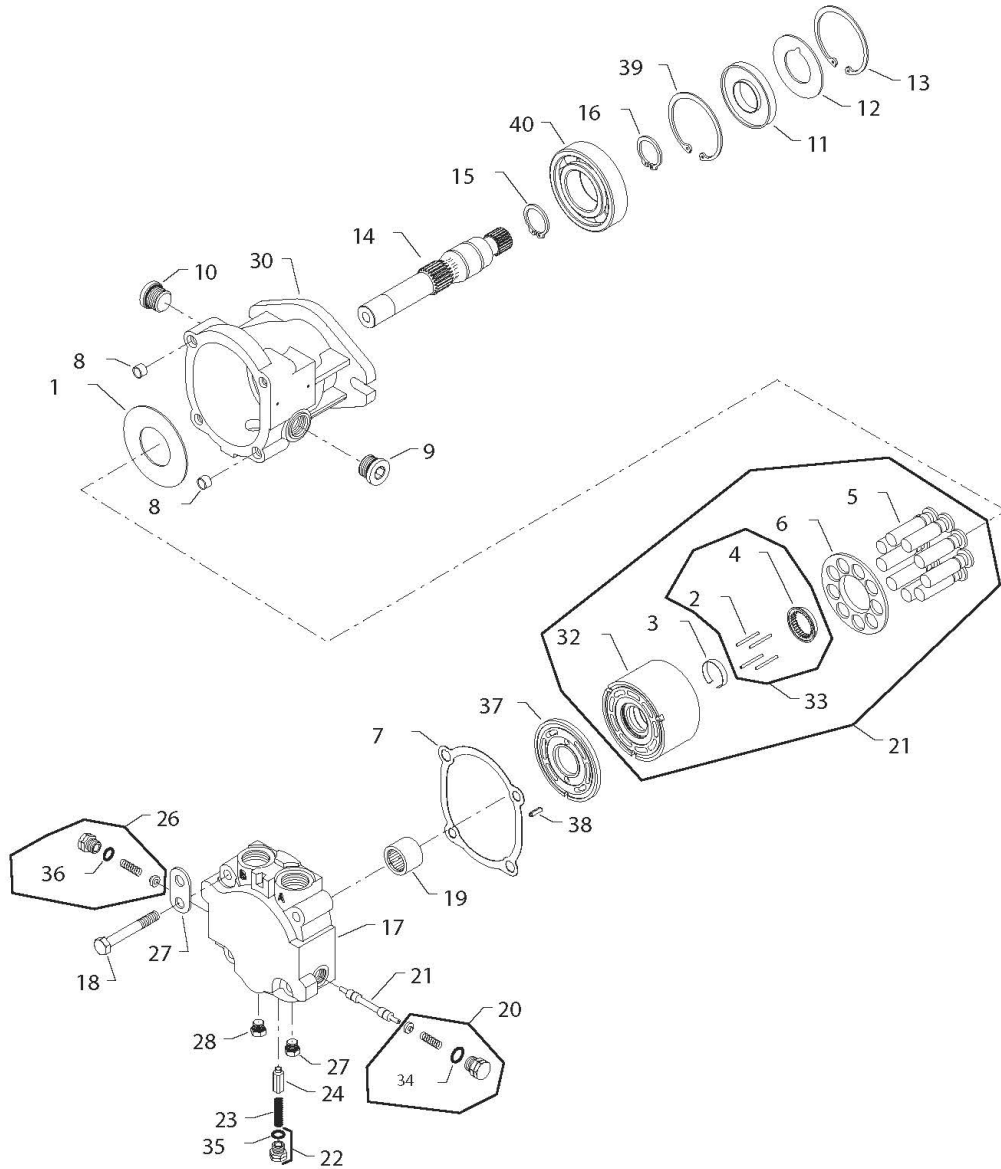
Mon Jun 17 09:44:47 UTC 2024

Item	Part No.	Name	Qty	L
1	4812109481	Hydraulic motor	1	
2	4700160279	O-ring 70	1	
3	4700904231	Steel plain washer	2	
4	4700500037	Hexagon head screw M	2	
5	4812109685	Straight connector	2	
6	4700904578	Straight connector	2	
7	4700791410	Straight connector ORFS	1	
8	4700791850	Adapter	1	
9	4812124543	Bulkhead union ORFS	2	
10	4812109471	Hydraulic hose	1	
11	4812109472	Hydraulic hose	1	
12	4812109473	Hydraulic hose	1	
13	4812109469	Hydraulic hose	1	
14	4812109470	Hydraulic hose	1	
15	4700792696	Hose guard	1	
16	4812109175	HOLDER	1	
17	4812109961	Hose clamp	1	
18	4812109172	Holder bkt	1	
19	4700904229	Steel plain washer	5	
20	4700500021	Hexagon head screw	5	
21	4700904230	Steel plain washer	6	
22	4700500028	Hexagon head screw M	6	
23	4700902496	Clamp	1	
24	4700500061	Hexagon head screw	2	
25	4812112306	Hose holder	4	
26	4812109173	Sheet metal part	1	
27	4812112308	Bracket	1	
28	4812109960	Hose clamp	1	
29	4700902286	Hexagon lock nut with flange	8	
30	4700791860	Stud	8	
31	4812113941	Hose holder clip	4	

Refer to Parts Online for the most up to date information. The printed information might be outdated.

Mon Jun 17 09:44:47 UTC 2024

Hydraulic Motor-4812109481 HYdraulic Motor



Refer to Parts Online for the most up to date information. The printed information might be outdated.

Mon Jun 17 09:44:47 UTC 2024

Item	Part No.	Name	Qty	L
0	4812109481	Hydraulic motor	1	
1	4700937065	Thrust plate	1	
2	4700937070	Pin	4	
3	4700937071	Retaining ring	1	
4	4812330005	Slipper retainer guide	1	
5	4812330006	Piston assembly	9	
6	4700937074	Retainer	1	
7	4700937075	Gasket	1	
8	4700909346	Pin	2	
9	4812330007	Plug assembly	1	
10	4812330008	Plug assembly	1	
11	4812106799	Lip seal	1	
12	4700937062	Support washer	1	
13	4700828112	Retaining ring	1	
14	4812157599	Shaft	1	
15	4700901727	Snap ring	1	
16	4700901727	Snap ring	1	
17	4812330009	End cap	1	
18	4700937080	Screw	4	
19	4700937081	Needle bearing	1	
20	4812330010	Plug/spring assembly	1	
34	4812330018	O-ring	1	
21	4812158590	Shuttle spool	1	
22	4812330011	Plug assembly	1	
23	4812330012	Spring	1	
24	4812330013	Poppet	1	
25	4812104791	Plug	1	
26	4812330014	Plug/spring assembly	1	
36	4812330020	O-ring	1	
27	4812330015	Lifting bracket	1	
28	4812104791	Plug	1	
29	4700937083	Cylinder block, cpl	1	
30	4700937084	Housing	1	
31	4700937087	Seal kit	1	
32	4812330016	Cylinder block assembly w/mag speed ring	1	

Refer to Parts Online for the most up to date information. The printed information might be outdated.

Mon Jun 17 09:44:47 UTC 2024

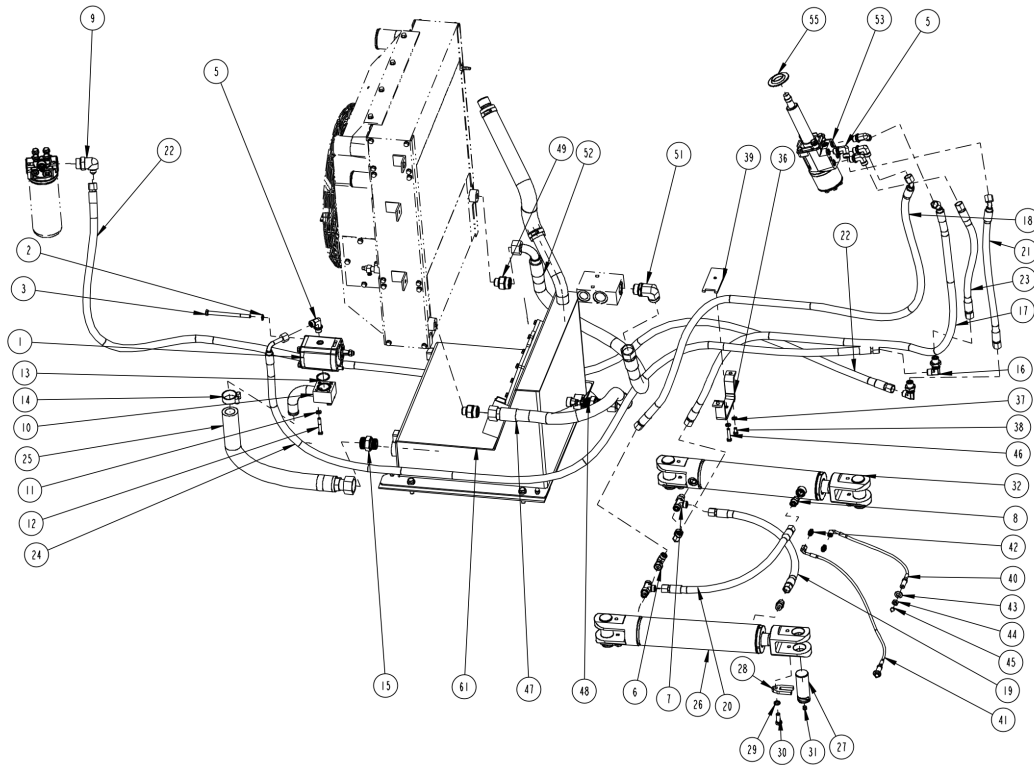
Item	Part No.	Name	Qty	L
33	4812330017	Service kit	1	
35	4812330019	O-ring	1	
37	4812159068	Valve plate	1	
38	4700937086	Pin	1	
39	4700828112	Retaining ring	1	
40	4700937063	Ball bearing	1	

Refer to Parts Online for the most up to date information. The printed information might be outdated.

Mon Jun 17 09:44:47 UTC 2024

This page intentionally left blank

Steering system Steering system



Refer to Parts Online for the most up to date information. The printed information might be outdated.

Mon Jun 17 09:44:48 UTC 2024

Item	Part No.	Name	Qty	L
1	4812331846	Hydraulic pump	1	
1	4812333101	Hydraulic pump	1	
2	4700904637	Steel plain washer	2	
3	4700924881	Hexagon head screw M	2	
4	4700901141	Sealing comp	0 ml	
5	4700791841	Connector elbow 90 ORFS	5	
6	4700791745	Connector elbow 90 ORFS	2	
7	4700791833	Tee-connector ORFS	2	
8	4700791799	Straight connector ORFS	2	
9	4812109605	Elbow connector 90	1	
10	4812331844	Flange connector	1	
11	4700904556	Steel plain washer	4	
12	4700500067	Hexagon screw	4	
13	4700160016	O-ring	1	
14	4812114312	Hose clamp	1	
15	4812109648	Straight connector	1	
16	4812128576	Bulkhead union elbow 90 ORFS	2	
17	4812109451	Hydraulic hose	1	
18	4812109452	hydraulic hose	1	
19	4812109462	Hydraulic hose	1	
20	4812109462	Hydraulic hose	1	
21	4812109908	Hydraulic hose	1	
22	4812109820	Hydraulic hose	1	
23	4812109923	Hydraulic hose	1	
24	4812109821	Hydraulic hose	1	
25	4812109467	Hydraulic hose	1	
26	4812109516	Hydraulic cylinder	1	
27	4812109522	Pin	4	
28	4812109523	Sheet metal part	4	
29	4700900994	Lock washer	4	
30	4700500046	Hexagon head screw	4	
31	4700792083	Protective plug	4	
32	4812109516	Hydraulic cylinder	1	
36	4700372513	Hose clamp	1	
37	4700904229	Steel plain washer	3	

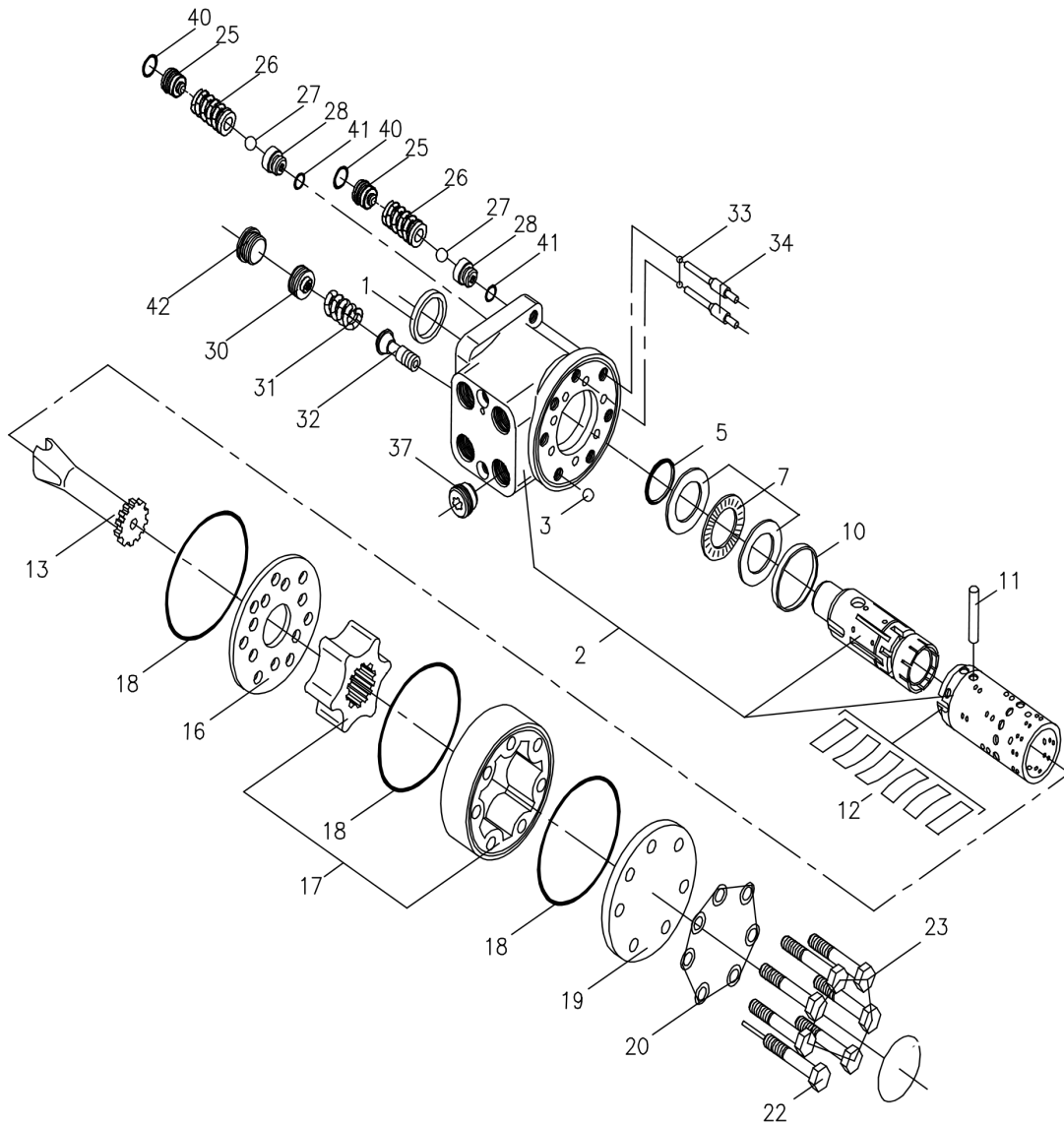
Refer to Parts Online for the most up to date information. The printed information might be outdated.

Mon Jun 17 09:44:48 UTC 2024

Item	Part No.	Name	Qty	L
38	4700500019	Hexagon head screw M	2	
39	4812108872	Hose holder	1	
40	4812109178	Hydraulic hose	1	
41	4812109179	Hydraulic hose	1	
42	4811000534	Straight connector	2	
43	4700904231	Steel plain washer	2	
44	4700903831	Hexagon nut	2	
45	4700926214	Lubricant	2	
46	4700904241	Hexagon head screw M	1	
47	4812109465	Hydraulic hose	1	
48	4700792338	Straight connector ORFS	1	
49	4700791631	Connector, G3/4 x 7/16 in. UNF	2	
51	4700792299	Connector elbow 90 ORFS	1	
52	4812109461	Hydraulic hose	1	
53	4812105681	Steering valve	1	
53	4812333735	Steering valve assly	1	
55	4700928830	Rubber part	1	
61	4812109154	Hydraulic oil tank module	1	
62	4812331844	Flange connector	1	
63	4700160155	O-ring	1	

This page intentionally left blank

4812105681 Steering valve Steering Valve



Refer to Parts Online for the most up to date information. The printed information might be outdated.

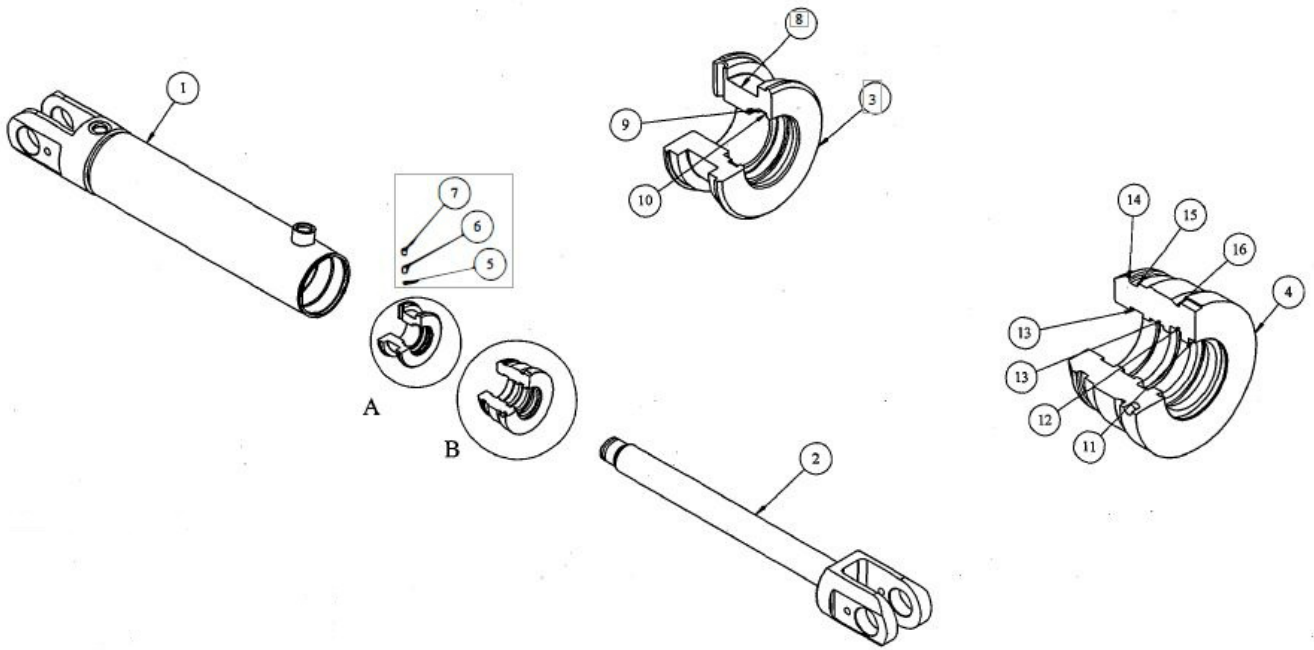
Mon Jun 17 09:44:49 UTC 2024

Item	Part No.	Name	Qty	L
0		Steering valve	1	
43	4700935429	Seal kit	1	
1		DUST SEAL RING	1	
5		SHAFT SEAL	1	
18		O-RING	3	
20		WASHER	7	
2		HOUSING AND SPOOL/SLEEVE	1	
3		BALL 6MM	1	
7		BEARING ASSEMBLY	1	
10		RING	1	
11		CROSS PIN	1	
12		SET OF SPRINGS	1	
13		CARDAN SHAFT	1	
16		DISTRIBUTOR PLATE	1	
17		GEARWHEEL SET	1	
19		END COVER	1	
22		PIN BOLT SCREW	1	
23		SCREW	6	
25		ADJUSTING SCREW SHOCK VALVE	2	
26		SPRING WITH THRUST PAD	2	
27		BALL FOR SHOCK VALVE	2	
28		SEAT FOR SHOCK VALVE	2	
30		ADJUSTING SCREW	1	
31		SPRING RELIEF VALVE	1	
32		PISTON RELIEF VALVE	1	
33		BALL SUCTION VALVE	2	
34		BUSHING WITH PIN	2	
37		CHECK VALVE	1	
40		O-RING	2	
41		O-RING	2	
42		PLUG WITH WASHER	1	

Refer to Parts Online for the most up to date information. The printed information might be outdated.

Mon Jun 17 09:44:49 UTC 2024

4812109516 Steering cylinder 4812109516 Steering cylinder

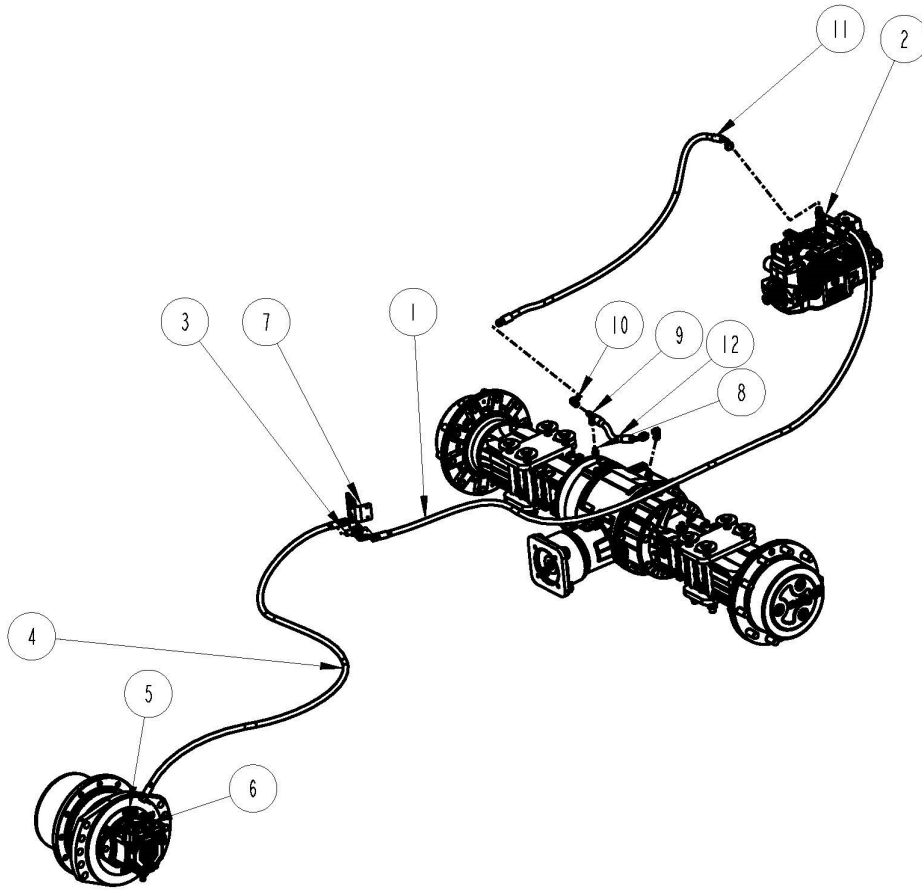


Item	Part No.	Name	Qty	L
1	4812330095	Tube Final Welding M/C	1	
2	4812330096	piston Rod	1	
3	4812330097	piston	1	
4	4812330098	Gland	1	
5	4812330099	Steel ball	1	
6	4812330101	Grub screw	1	
7	4812330101	Grub screw	1	
8		Piston seal	1	
17	4812330094	Seal Kit OF Consist 9 to 14	1	
9	-	O Ring	1	
10	-	Back up ring	1	
11	-	Wiper seal	1	
12	-	Rod Seal 36(G)	1	
13	-	Slyd ring rod	1	
14	-	O-ring	1	
15	-	Back up ring	1	
16	-	O-ring	1	

Comments for Page: 4812109516 Steering cylinder

A | en_US | Includes in Seal Kit, item 6

Brake system Hydraulic brake CA305D



Refer to Parts Online for the most up to date information. The printed information might be outdated.

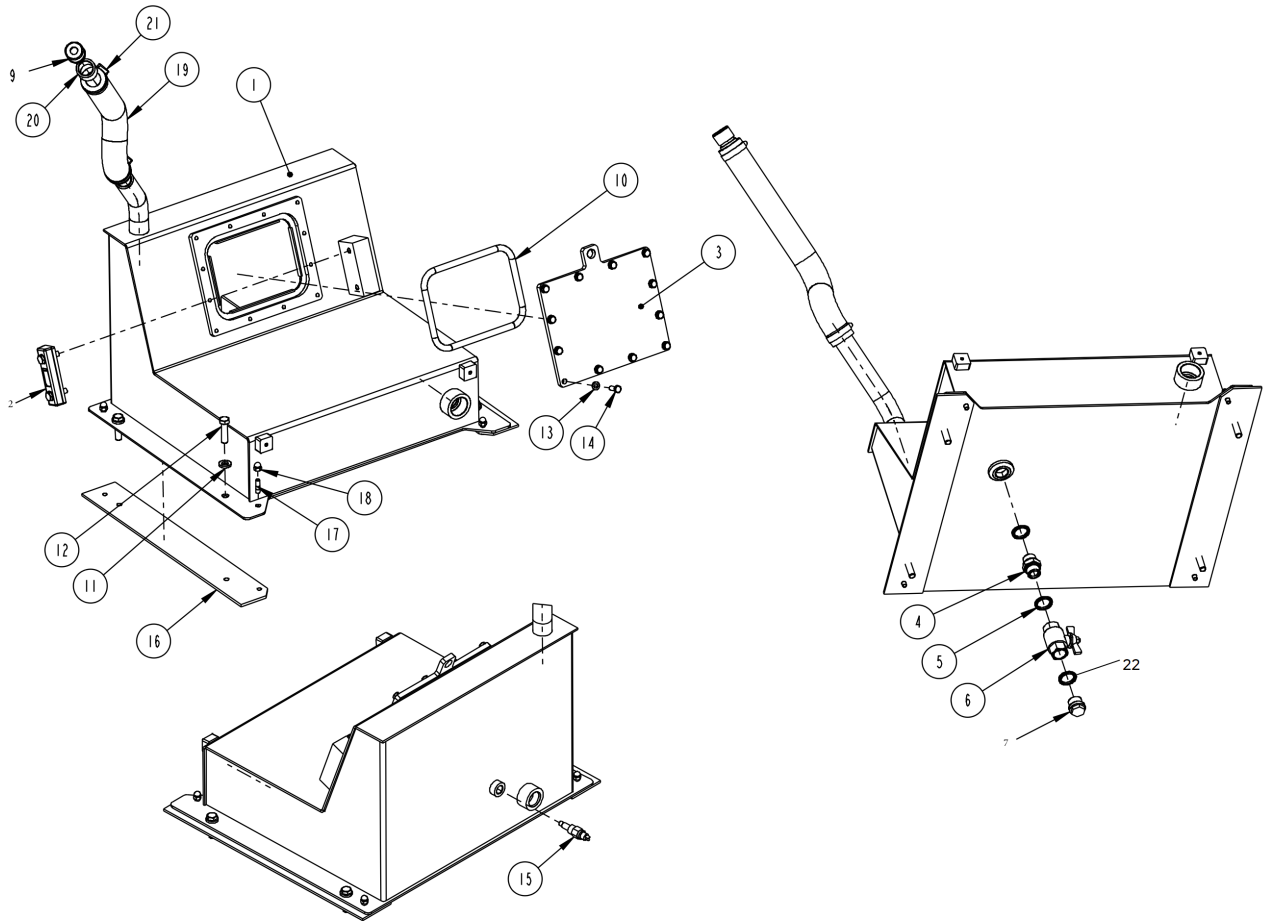
Mon Jun 17 09:44:49 UTC 2024

Item	Part No.	Name	Qty	L
1	4812330866	Hydraulic hose	1	
2	4700791414	Tee-connector ORFS	1	
3	4700791830	Bulkhead union ORFS	1	
4	4812330865	Hydraulic hose	1	
5	4700791535	Straight connector	1	
6	4700791401	Connector elbow	1	
7	4812129347	Bracket	1	
8	4700900552	Straight connector	2	
9	4700234888	Connector JIC	1	
10	4700334524	Connector elbow	2	
11	4812330407	Hydraulic hose	1	
12	4812330408	Hydraulic hose	1	
15	4812129000	HYDRAULIC PUMP	1	
16	4812109228	Rear axle module	1	
19	4812109702	Hydraulic motor module	1	

Refer to Parts Online for the most up to date information. The printed information might be outdated.

Mon Jun 17 09:44:49 UTC 2024

Hydraulic oil tank Hydraulic Oil tank Module



Refer to Parts Online for the most up to date information. The printed information might be outdated.

Mon Jun 17 09:44:50 UTC 2024

Item	Part No.	Name	Qty	L
1	4812109935	Hydraulic Oil tank	1	
2	4700989151	Oil level glass	1	
3	4812109164	Sheet metal part	1	
4	4700792345	Straight connector	1	
5	4700791120	Washer sealing	2	
6	4700233304	Ball valve	1	
7	4700232039	Steel plug threaded	1	
9	4700357138	Ventilating filter	1	
10	4700389821	O-ring	1	
11	4700904703	Steel plain washer	4	
12	4700903906	Hexagon head screw	4	
13	4700904229	Steel plain washer	12	
14	4700500020	Hex. screw	12	
15	4700792276	Temperature sensor	1	
16	4812109953	Rubber cloth	2	
17	4700791809	Stud	4	
18	4700581011	Hexagon domed cap nut	4	
19	4700373478	Rubber hose	1	
20	4700357139	Connector	1	
21	4700313008	Hose clamp	2	
22	4700791120	Washer sealing	2	

Electrical equipment Electrical equipment

**NO DRAWING
AVAILABLE
FOR THIS BOM**

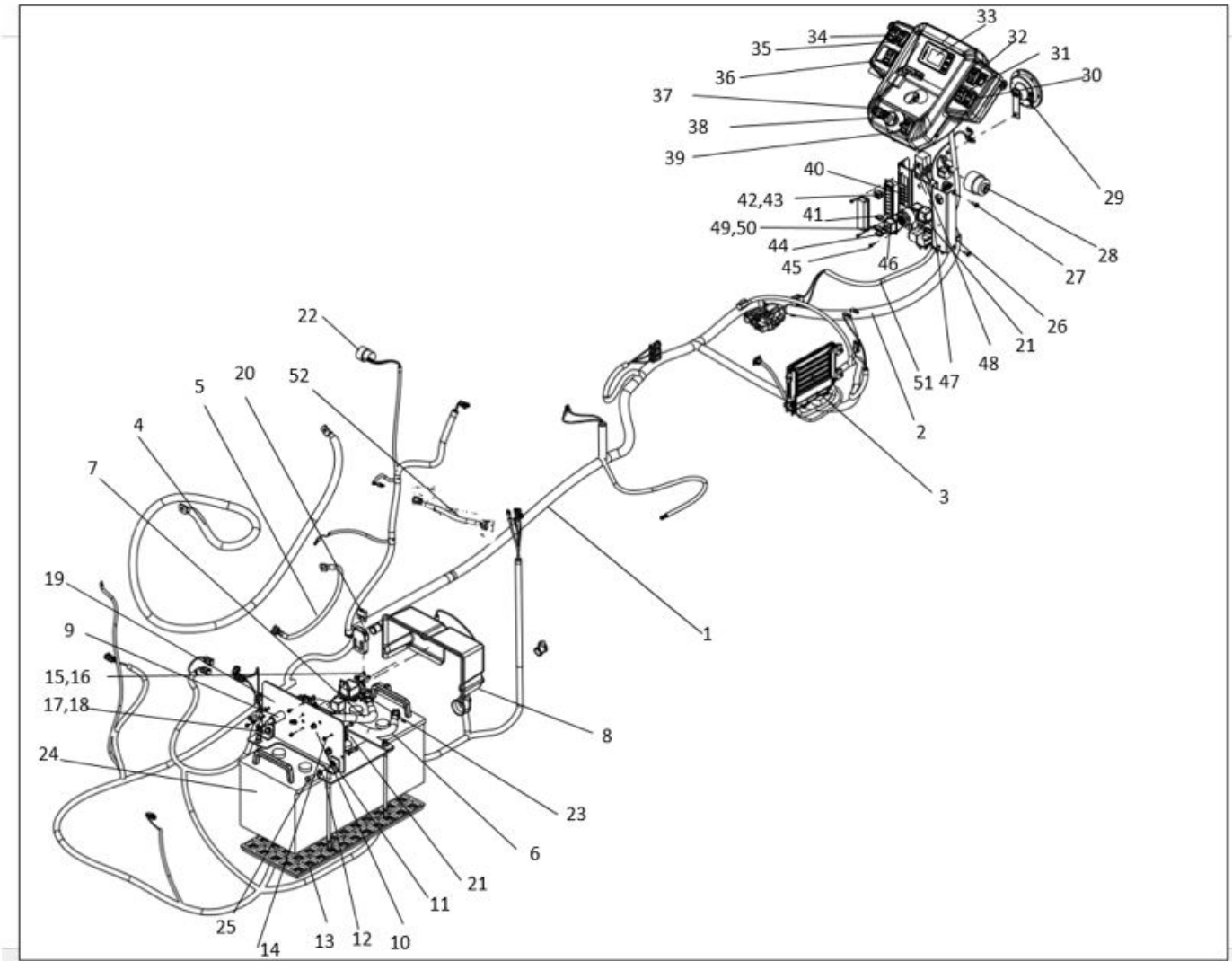
Item	Part No.	Name	Qty	L
10	-	Electric system		
20	-	Control panel		
30	-	Driving light mount		
50	-	Rotating beacon Option		
60	-	Back-up alarm Option		
70	-	Compaction meter Option		
80	-	Working light mount		A

Comments for Page: Electrical equipment

(L)OCAL REMARKS

A | en_US | For New FRP hood

Electric system Electric system



Refer to Parts Online for the most up to date information. The printed information might be outdated.

Mon Jun 17 09:44:51 UTC 2024

Item	Part No.	Name	Qty	L
1	4812332016	Wiring harness Engine	1	
2	4812330870	Wiring Harness driving light column	1	
3	4812125677	Control unit (ECU)	1	
4	4812109143	Connection cable	1	
5	4812109144	Connection cable	1	
6	4812109142	Negative Battery cable	1	
7	4812109141	Battery cable-positive	1	
8	4812105234	Protection cover	1	
9	4700903640	Battery disconnecter	1	
10	4700902285	Hexagon lock nut with flange M	1	
11	4700902286	Hexagon lock nut with flange	4	
12	4700904229	Steel plain washer	3	
13	4812109607	Battery insulation	1	
13	4812334797	Battery insulation	1	
14	4700586001	Lock nut M	5	
15	4700500060	Hexagon head screw	5	
16	4700904281	Steel plain washer	6	
17	4700500040	Hexagon head screw	2	
18	4700904228	Steel plain washer	2	
19	4812109919	Relay mounting plate	1	
20	4700904038	Fuse, 40A Orange	1	
21	4812104267	Relay	3	
22	4700929023	Indicator	1	
23	4812104238	Starter relay	1	
24	4700134151	Battery, 12V 150Ah	1	
25	4700500053	Hexagon head screw	3	
26	4812109590	Control bracket	1	
27	4812117868	Thread forming screw M	4	
28	4812103985	Ignition switch	1	
28a	4700940451	Ignition key	1	
29	4812108298	Horn	1	
30	4700792461	Switch, vibration	1	
31	4700791598	Connection cable coarse	1	
32	4700791657	Switch	1	
33	4812330360	Display	1	

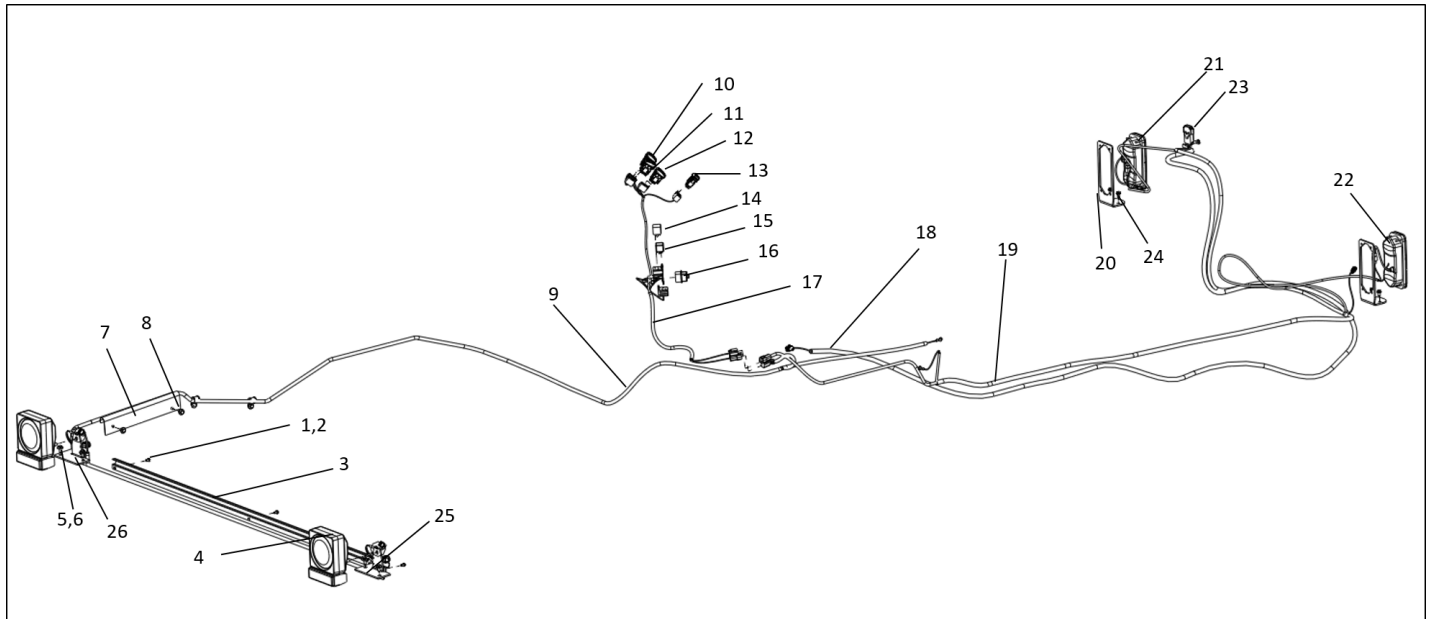
Refer to Parts Online for the most up to date information. The printed information might be outdated.

Mon Jun 17 09:44:51 UTC 2024

Item	Part No.	Name	Qty	L
34	4700791583	Switch, Driving lights	1	
35	4811000073	Switch, High beam	1	
36	4700791584	Switch	1	
37	4700792413	Switch, Direction indicator	1	
38	4812103821	Emergency stop	1	
39	4700791582	Switch, parking brake	1	
40	4700791185	Fuse box	1	
41	4700901230	Fuse, 30A Green	1	
42	4700901228	Fuse 15A Blue	2	
43	4700901227	Fuse 10A Red	5	
44	4812107140	Buzzer	1	
45	4700526010	Thread rolling screw	4	
46	4700792091	Fuse holder	1	
47	4700904989	Flash relay	1	
48	4700792210	Screw torx	3	
49	4700791042	Fuse 40A	1	
50	4700903741	Fuse 20A Yellow	1	
51	4812330870	Wiring Harness driving light column	1	
52	4812109145	Connection cable	1	

This page intentionally left blank

Driving Light Mount Driving light Mount



Refer to Parts Online for the most up to date information. The printed information might be outdated.

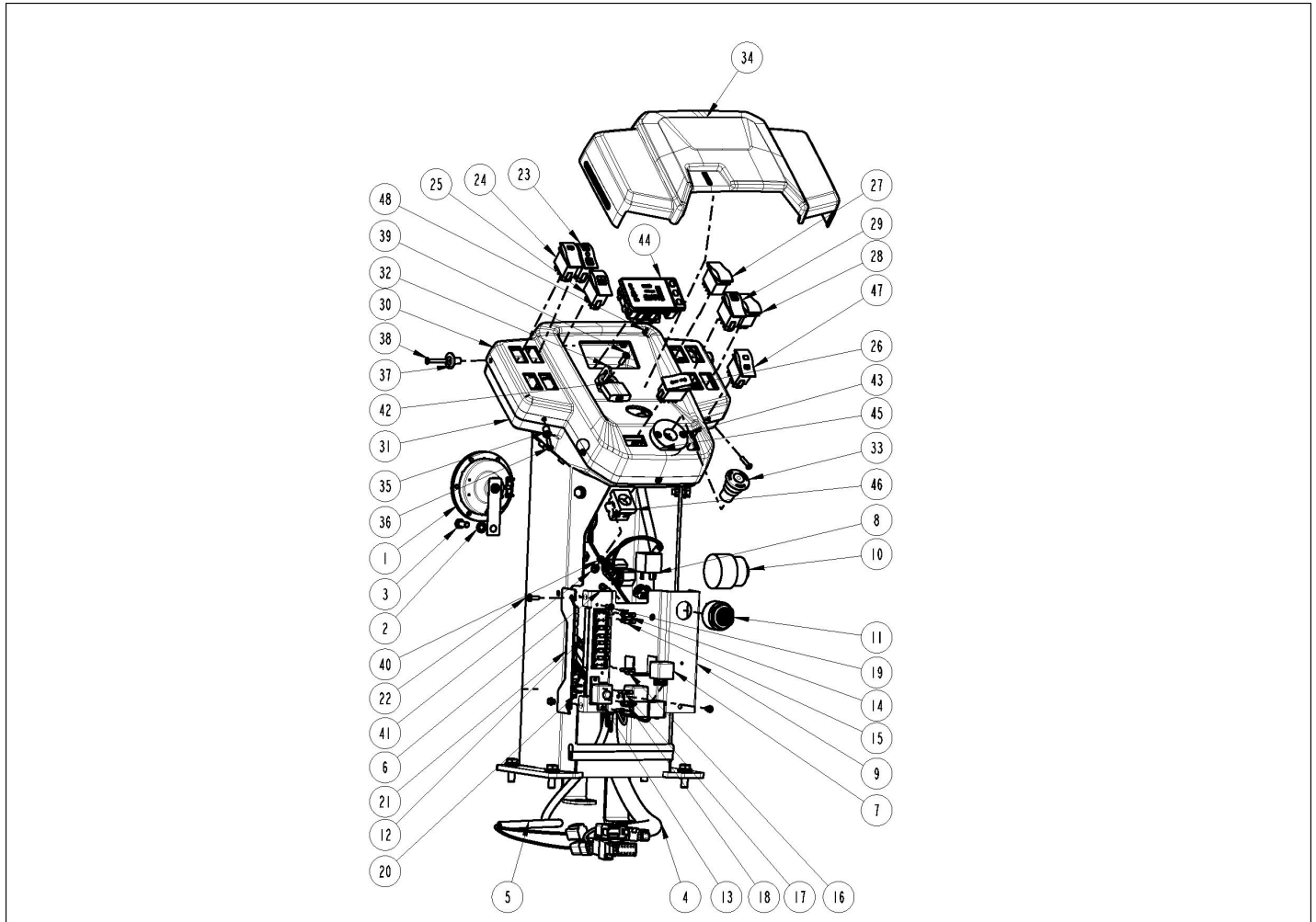
Mon Jun 17 09:44:51 UTC 2024

Item	Part No.	Name	Qty	L
1	4700500012	Hexagon head screw M	3	
2	4700904228	Steel plain washer	3	
3	4700384162	Cable holder	1	
4	4812103526	Head light	2	
5	4700500053	Hexagon head screw	4	
6	4700904640	Steel plain washer	6	
7	4812109487	Cable holder	1	
8	4700500019	Hexagon head screw M	6	
9	4812109488	Wiring harness-Front light	1	
10	4700791583	Switch, Driving lights	1	
11	4811000073	Switch, High beam	1	
12	4700791584	Switch	1	
13	4700792413	Switch, Direction indicator	1	
14	4700904989	Flash relay	1	
15	4812104267	Relay	1	
16	4700792091	Fuse holder	1	
17	4812330870	Wiring Harness driving light column	1	
18	4812109211	Wiring harness Power supply	1	
19	4812109358	Wiring harness Rear light	1	
20	4812109599	Bracket	2	
21	4812108487	Tail light, 3-chamber Right hand	1	
22	4812108488	Tail light, 3-chamber Left hand	1	
23	4700904032	Fuse holder	1	
24	4700904229	Steel plain washer	4	
25	4812103455	Bracket	1	
26	4812103456	Bracket	1	

Refer to Parts Online for the most up to date information. The printed information might be outdated.

Mon Jun 17 09:44:51 UTC 2024

Control panel Control panel



Refer to Parts Online for the most up to date information. The printed information might be outdated.

Mon Jun 17 09:44:52 UTC 2024

Item	Part No.	Name	Qty	L
1	4812108298	Horn	1	
2	4700904229	Steel plain washer	1	
3	4700500053	Hexagon head screw	1	
4	4812330869	Wiring harness-Control panel	1	
5	4812330870	Wiring Harness driving light column	1	
6	4700792210	Screw torx	3	
7	4812104267	Relay	2	
8	4700904989	Flash relay	1	
9	4812109590	Control bracket	1	
10	4812103985	Ignition switch	1	
10a	4700940451	Ignition key	1	
11	4812107140	Buzzer	1	
12	4700791185	Fuse box	1	
13	4700792091	Fuse holder	1	
14	4700901228	Fuse 15A Blue	2	
15	4700901227	Fuse 10A Red	5	
16	4700901230	Fuse, 30A Green	1	
17	4700791042	Fuse 40A	1	
18	4700903741	Fuse 20A Yellow	1	
19	4700526010	Thread rolling screw	4	
20	4812105227	Wiring harness- Fuse pigtail	1	
21	4812117864	Shim	1	
22	4812117868	Thread forming screw M	4	
23	4700791583	Switch, Driving lights	1	
24	4811000073	Switch, High beam	1	
25	4700791584	Switch	1	
26	4700792413	Switch, Direction indicator	1	
27	4700791657	Switch	1	
28	4700792461	Switch, vibration	1	
29	4700791578	Switch, Horn	1	
30	4812109441	COVER	1	
31	4812125960	Cover	1	
32	4812126008	Bracket	1	
33	4812103821	Emergency stop	1	
33	4812334754	Emergency stop	1	

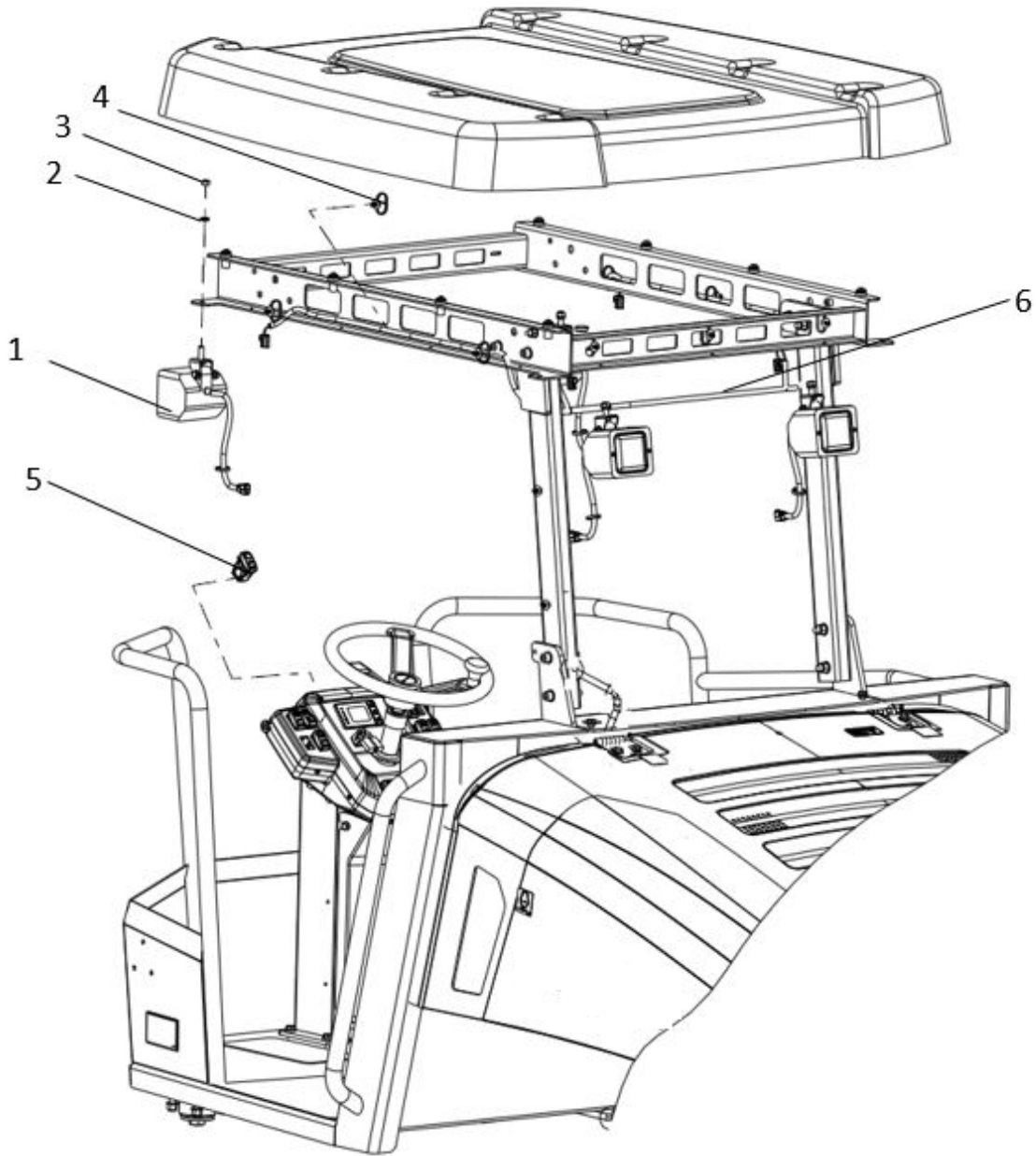
Refer to Parts Online for the most up to date information. The printed information might be outdated.

Mon Jun 17 09:44:52 UTC 2024

Item	Part No.	Name	Qty	L
34	4812126007	Cover	1	
35	4700792536	Rubber nut	9	
36	4700792589	Hex.sock.button h.cap screw	7	
37	4700357855	Bolt	2	
38	4700792742	Hexagon socket countersunk	2	
39	4700791524	Hex.sock.button h.cap screw	2	
40	4700904228	Steel plain washer	2	
41	4700586002	Lock nut M	2	
42	4700358881	Padlock	1	
43	4811000128	Plate	1	
44	4812330360	Display	1	
45	4812128078	Tab washer	1	
46	4812103822	Connector	2	
47	4700791582	Switch, parking brake	1	
48	4700902164	Slotted cheese head screw M	2	
49	4812109518	USB Mobile charger	2	

This page intentionally left blank

Working light mount Working Lights



Refer to Parts Online for the most up to date information. The printed information might be outdated.

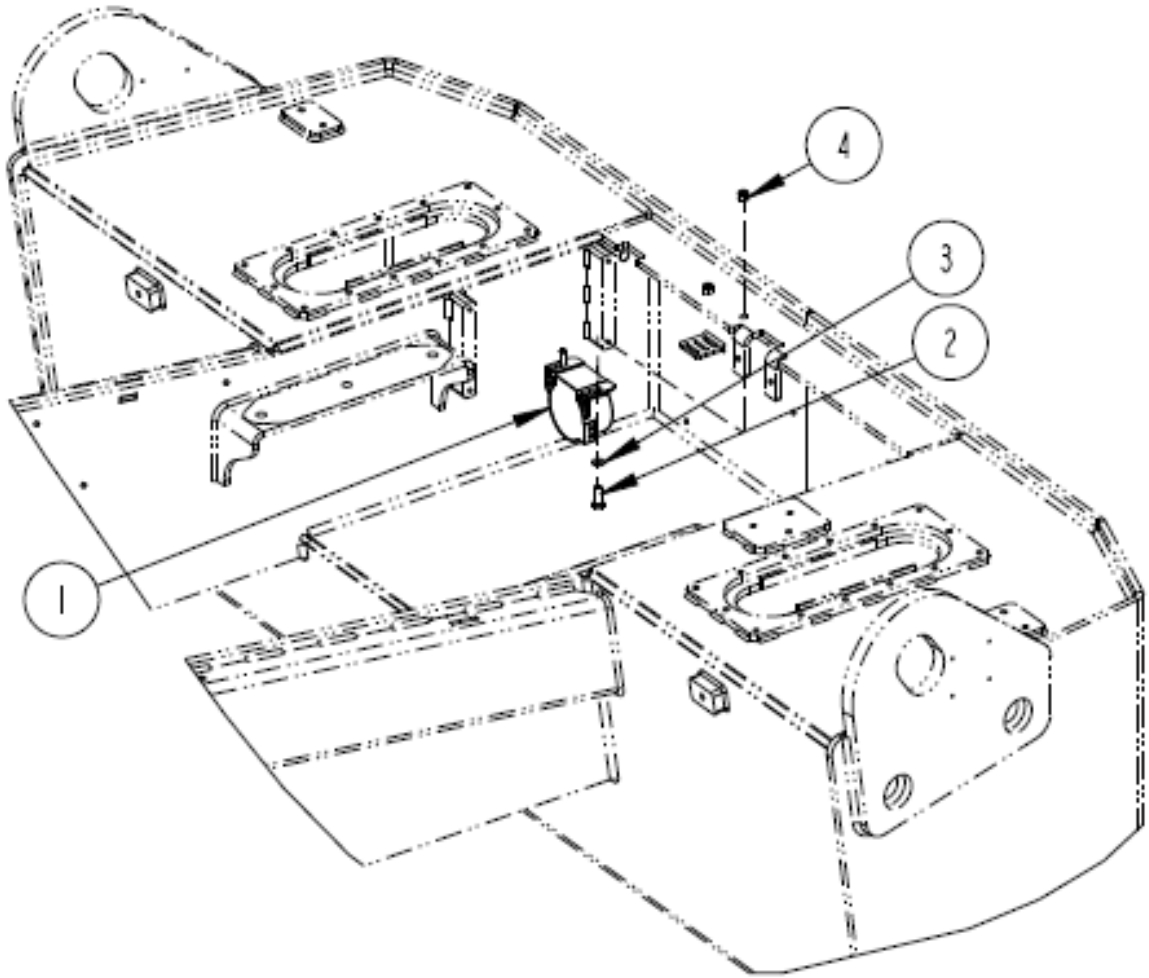
Mon Jun 17 09:44:52 UTC 2024

Item	Part No.	Name	Qty	L
1	4812103557	Working light	4	
2	4700603018	Washer 10x18x4	4	
3	4700570006	Hexagon nut M	4	
4	4700792441	Cable tie with holder	9	
5	4700791587	Switch, working light	1	
6	4812109651	Wiring harness working light	1	

Refer to Parts Online for the most up to date information. The printed information might be outdated.

Mon Jun 17 09:44:52 UTC 2024

Back up alarm mount Back Up alarm



Refer to Parts Online for the most up to date information. The printed information might be outdated.

Mon Jun 17 09:44:52 UTC 2024

Item	Part No.	Name	Qty	L
1	4812108481	Back Up Alarm	1	
2	4700500021	Hexagon head screw	2	
3	4700904229	Steel plain washer	2	
4	4700586003	Lock nut M	2	

Refer to Parts Online for the most up to date information. The printed information might be outdated.

Mon Jun 17 09:44:52 UTC 2024

Drivers platform Drivers platform

**NO DRAWING
AVAILABLE
FOR THIS BOM**

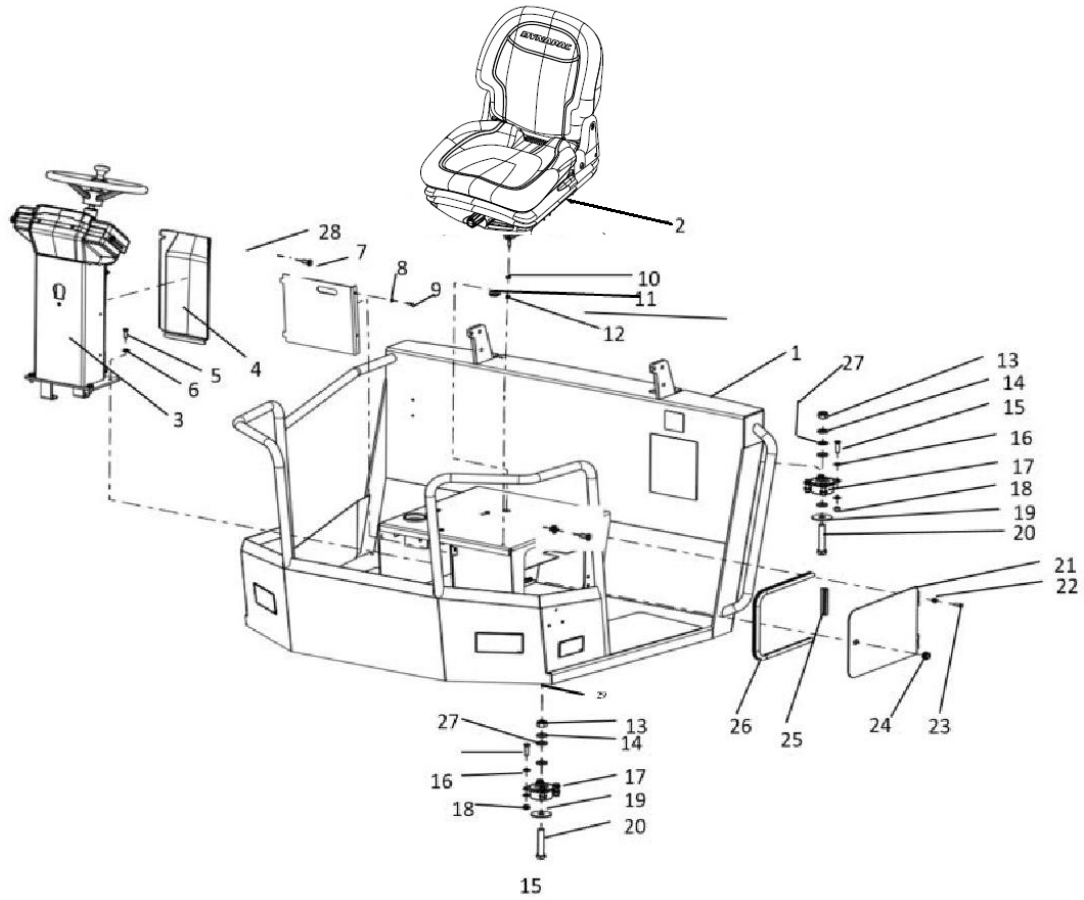
Item	Part No.	Name	Qty	L
10	-	Operator platform		
20	-	Control panel		
30	-	Throttle Control		
40	-	Forward and reverse control		
50	-	Steering column		
100	-	Canopy		
120	-	Rear mirror		

Comments for Page: Drivers platform

(L)OCAL REMARKS

A | en_US | For new FRP hood

Drivers platform Drivers platform module



Refer to Parts Online for the most up to date information. The printed information might be outdated.

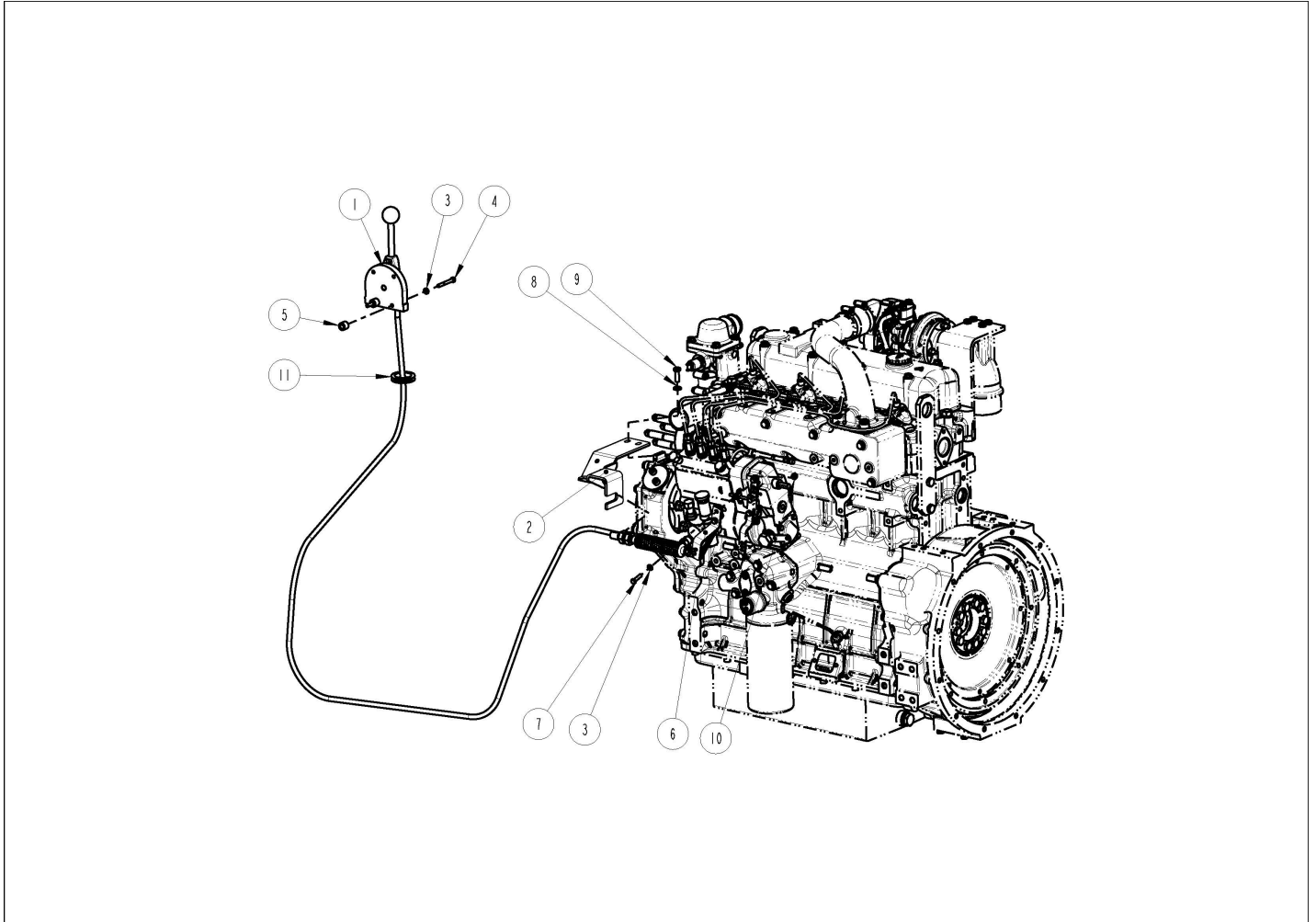
Mon Jun 17 09:44:53 UTC 2024

Item	Part No.	Name	Qty	L
1	4812109560	PLATFORM	1	
2	4812107604	Drivers seat, cpl	1	
2a	4812330584	Seat switch	1	
3	4812109588	STEERING COLUMN	1	
4	4812125902	Front cover	1	
5	4700500029	Hexagon head screw	4	
6	4700904557	Steel plain washer	4	
7	4812103323	Protective cover	1	
8	4700904228	Steel plain washer	2	
9	4700500013	Hexagon head screw	2	
10	4700904556	Steel plain washer	1	
11	4700903192	Grommet	1	
12	4700586003	Lock nut M	1	
13	4700901145	Lock nut M	4	
14	4700903290	Steel plain washer	12	
15	4700500194	Hexagon head screw M	16	
16	4700904231	Steel plain washer	32	
17	4812116884	PLATFORM MOUNT	4	
18	4700586019	Lock nut M	16	
19	4700347512	Spacer washer	4	
20	4700500211	Screw	4	
21	4812105257	Cover	1	
22	4700902286	Hexagon lock nut with flange	4	
23	4700513013	Hexagon socket countersunk screw	4	
24	4812106488	Lock	1	
25	4700202057	Edge trim	0.95	
26	4700202057	Edge trim	0.12	
27	4700904233	Steel plain washer	4	
28	4700500505	Hexagon screw w flange, M08x20, 8.8	2	
29	4700904131	Plug	2	

Refer to Parts Online for the most up to date information. The printed information might be outdated.

Mon Jun 17 09:44:53 UTC 2024

Throttle control Throttle control



Refer to Parts Online for the most up to date information. The printed information might be outdated.

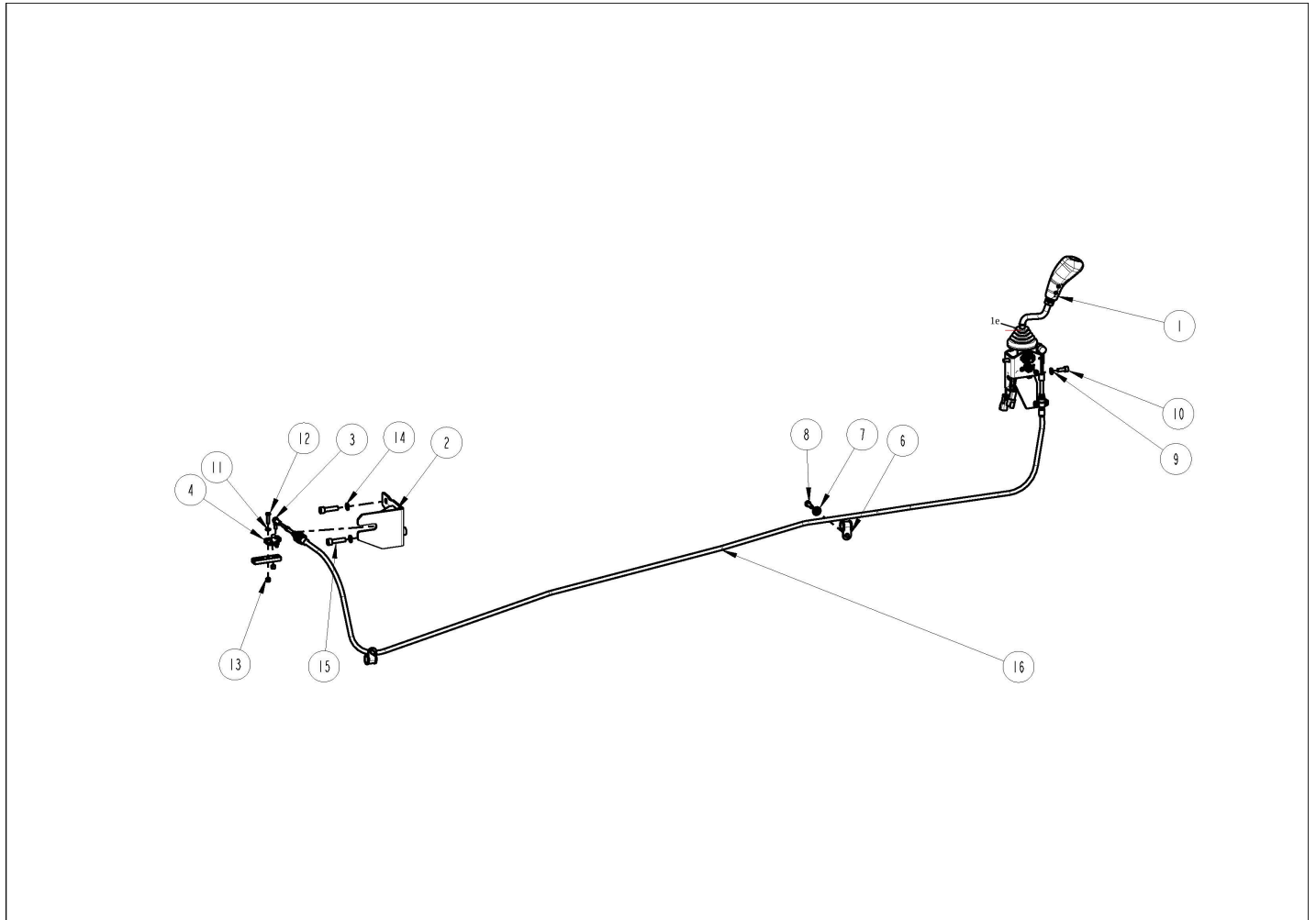
Mon Jun 17 09:44:54 UTC 2024

Item	Part No.	Name	Qty	L
1	4812107213	Throttle control	1	
1a	4812107442	Cable	1	
1b	4812106698	Handle Assy	1	
1c	4812106700	Ballow	1	
1d	4812106701	Ball Joint	1	
2	4812331976	Throttle bracket	1	
3	4700904228	Steel plain washer	6	
4	4700500079	Hexagon head screw	2	
5	4700371728	Spacer sleeve	2	
6	4812331981	Throttle lever mounting bracket	1	
7	4700500075	Screw	2	
8	4700904556	Steel plain washer	2	
9	4700500021	Hexagon head screw	2	
10	4700586002	Lock nut M	2	
11	4812105316	Hollow Grommet	1	

Refer to Parts Online for the most up to date information. The printed information might be outdated.

Mon Jun 17 09:44:54 UTC 2024

Forward and Reverse control FNR lever assembly



Refer to Parts Online for the most up to date information. The printed information might be outdated.

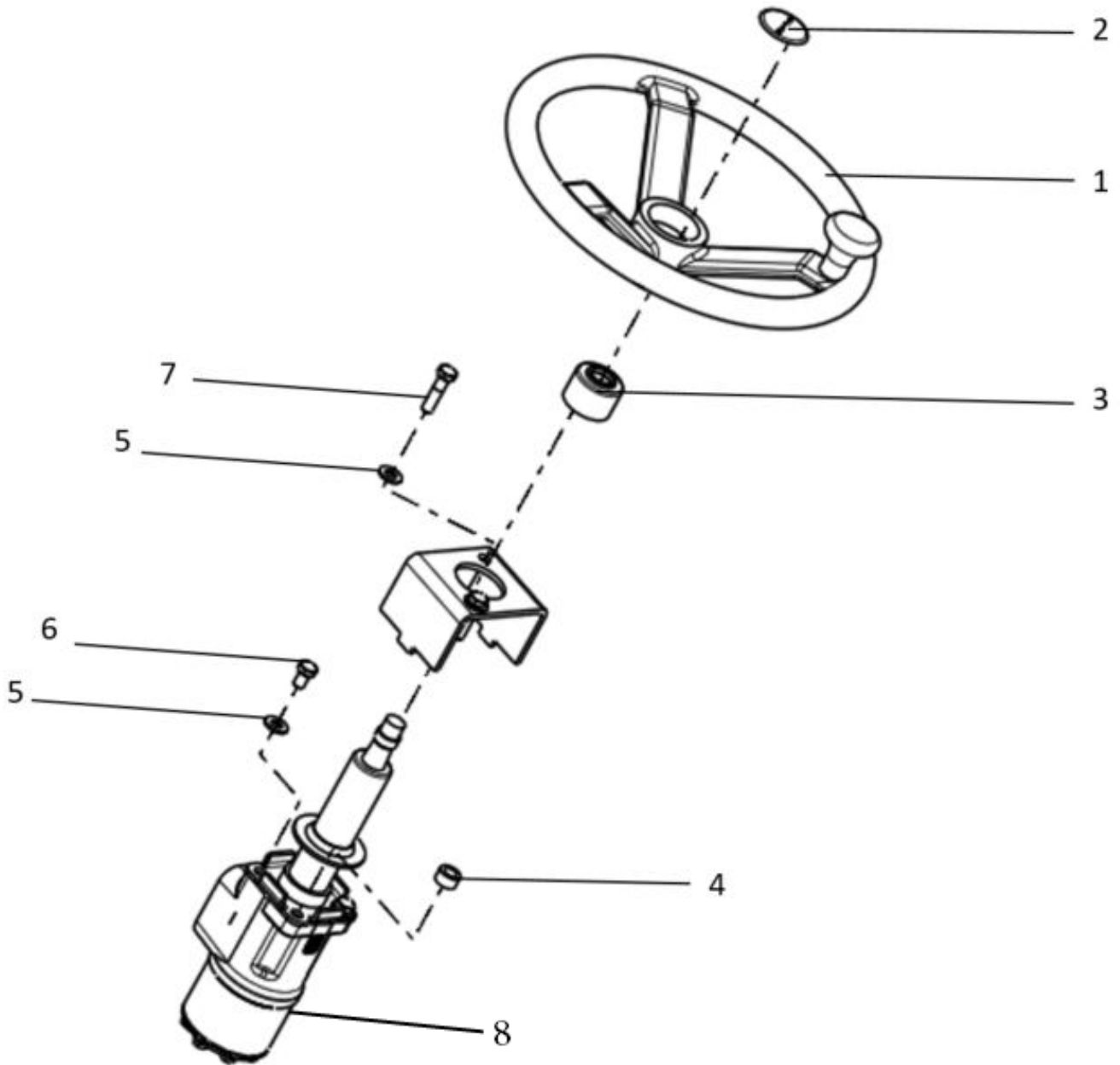
Mon Jun 17 09:44:54 UTC 2024

Item	Part No.	Name	Qty	L
1	4812109566	FNR LEVER ASSLY	1	
1a	4812330123	FNR Vibration Switch	1	
1b	4812330853	Reverse alarm switch	1	
1c	4812104726	Cable Bellow	1	
1d	4812104723	Cable arm & handle assy	1	
1e	4812104722	FNR bellow	1	
16	4812330860	Cable	1	
2	4812331011	FNR Bracket	1	
3	4700416034	Universal joint, M6	1	
4	4700392900	Control lever	1	
4	4812333457	Control lever	1	
6	4700921104	Pipe clamp	2	
7	4700904230	Steel plain washer	2	
8	4700500021	Hexagon head screw	2	
9	4700904556	Steel plain washer	2	
10	4700508092	Hexagon head screw M	2	
11	4700904228	Steel plain washer	2	
12	4700500075	Screw	2	
13	4700586002	Lock nut M	3	
14	4700904637	Steel plain washer	2	
15	4700508080	Hexagon socket head cap screw M	2	

Refer to Parts Online for the most up to date information. The printed information might be outdated.

Mon Jun 17 09:44:54 UTC 2024

Steering column Steering column



Refer to Parts Online for the most up to date information. The printed information might be outdated.

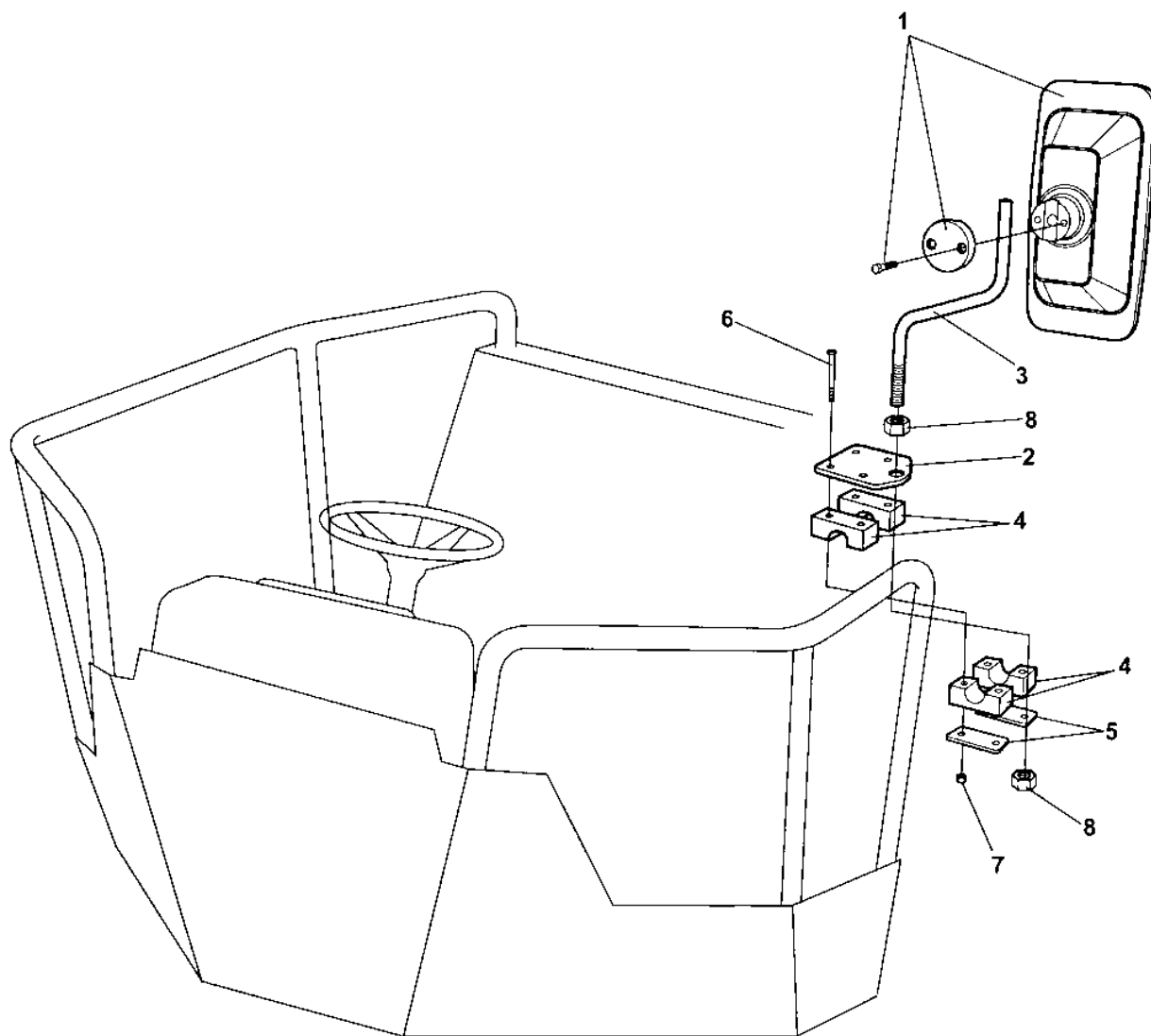
Mon Jun 17 09:44:54 UTC 2024

Item	Part No.	Name	Qty	L
1	4700372964	Steering wheel	1	
2	4700377523	Steering wheel emblem	1	
3	4812108669	Grommet	1	
4	4700355869	Spacer sleeve	2	
5	4700904230	Steel plain washer	4	
6	4700500043	Hexagon head screw M	2	
7	4700500031	Hexagon head screw	2	
8		Steering valve	1	

Refer to Parts Online for the most up to date information. The printed information might be outdated.

Mon Jun 17 09:44:54 UTC 2024

Rear mirror Rear mirror



Refer to Parts Online for the most up to date information. The printed information might be outdated.

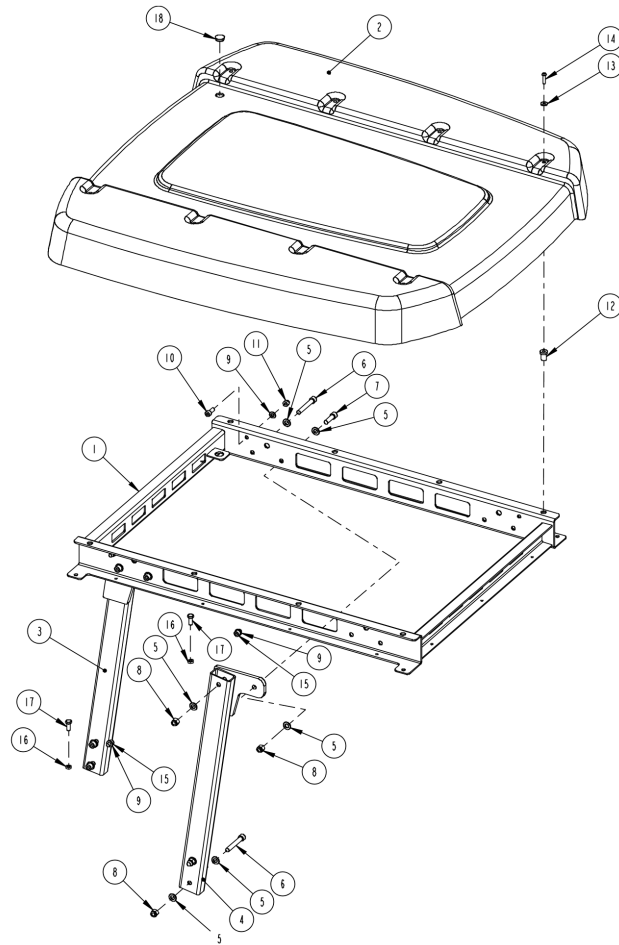
Mon Jun 17 09:44:55 UTC 2024

Item	Part No.	Name	Qty	L
1	4700134140	Rear view mirror	2	
2	4812330279	Bracket	2	
3	4812103818	Bar	2	
4	4700904340	Pipe clamp	4	
5	4700924791	Cover plate	4	
6	4700500292	Hexagon head screw M6x75	8	
7	4700586002	Lock nut M	8	
8	4700925206	Nut M18	4	

Refer to Parts Online for the most up to date information. The printed information might be outdated.

Mon Jun 17 09:44:55 UTC 2024

Canopy Canopy Module



Refer to Parts Online for the most up to date information. The printed information might be outdated.

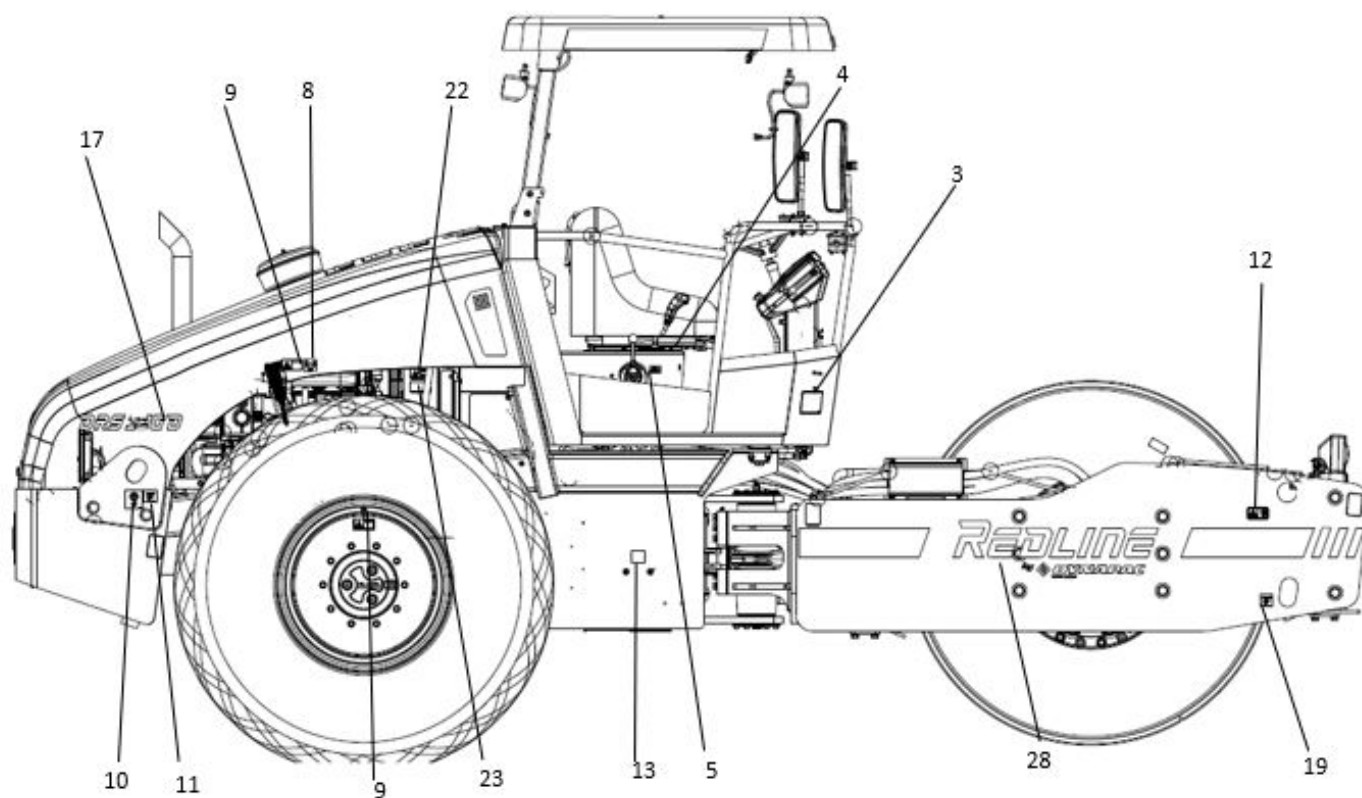
Mon Jun 17 09:44:55 UTC 2024

Item	Part No.	Name	Qty	L
1	4812129121	Canopy frame	1	
2	4812129265	Canopy	1	
3	4812129013	Support	1	
4	4812129014	Support		
5	4700904231	Steel plain washer	16	
6	4700901376	Hexagon socket head cap screw M	6	
7	4700508063	Hexagon socket head cap	2	
8	4700586019	Lock nut M	8	
9	4812122654	Steel plain washer	4	
10	4700508096	Hexagon socket head cap	2	
11	4700586018	Lock nut m	2	
12	4812113177	Rubber nut	8	
13	4700791304	Steel plain washer	8	
14	4700792107	Seat cover	8	
15	4700903932	Hex. Head screw	2	
16	4700573005	Hexagon thin nut M	2	
17	4700500028	Hexagon head screw M	2	
18	4700923270	Protective plug	1	

Refer to Parts Online for the most up to date information. The printed information might be outdated.

Mon Jun 17 09:44:55 UTC 2024

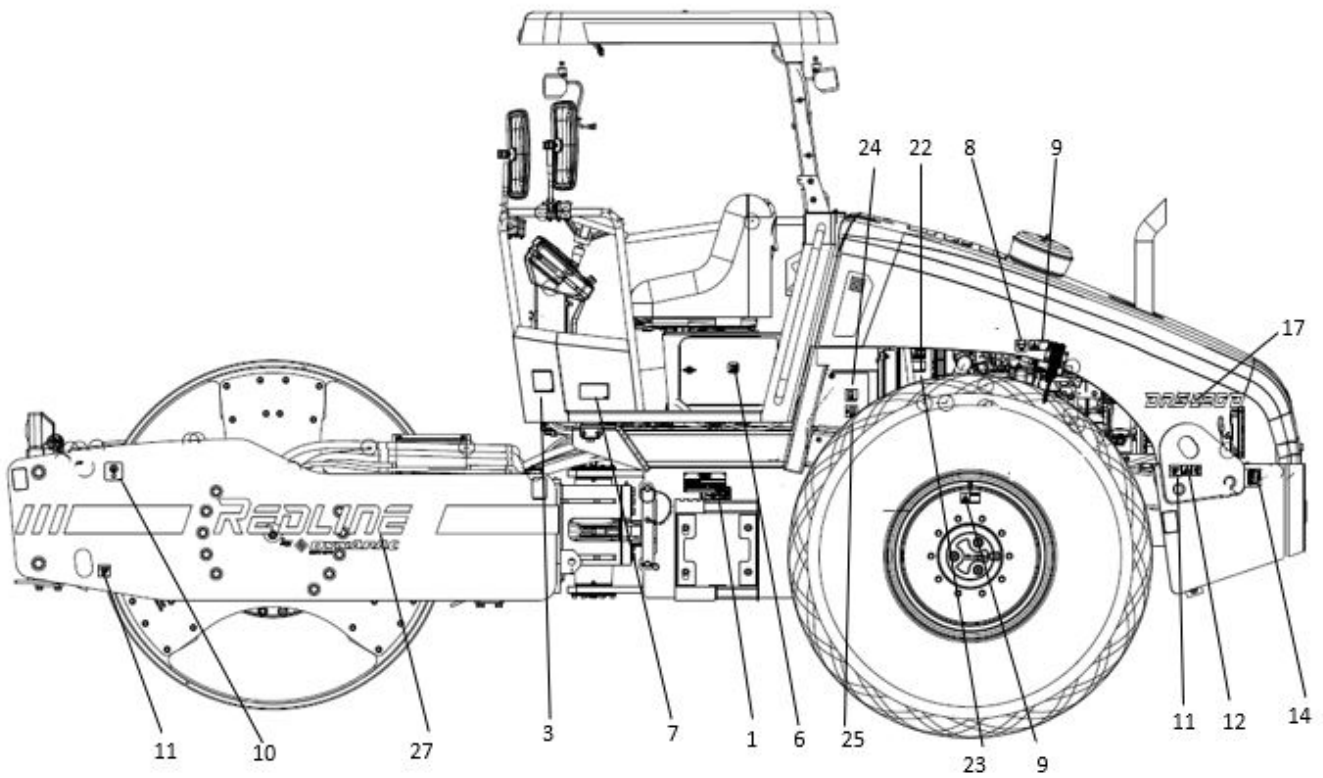
Decals Decals



Refer to Parts Online for the most up to date information. The printed information might be outdated.

Mon Jun 17 09:44:55 UTC 2024

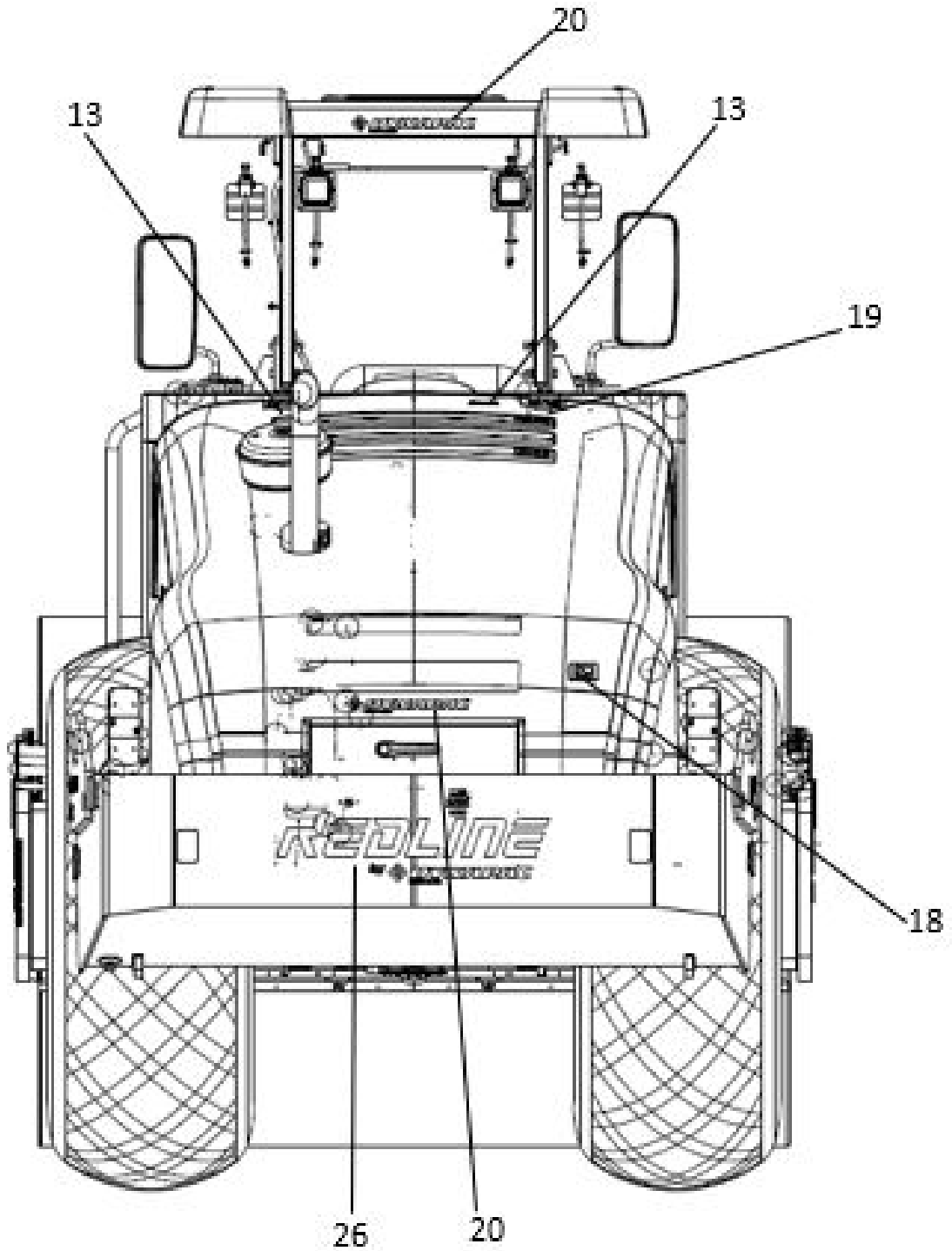
This page intentionally left blank



Refer to Parts Online for the most up to date information. The printed information might be outdated.

Mon Jun 17 09:44:55 UTC 2024

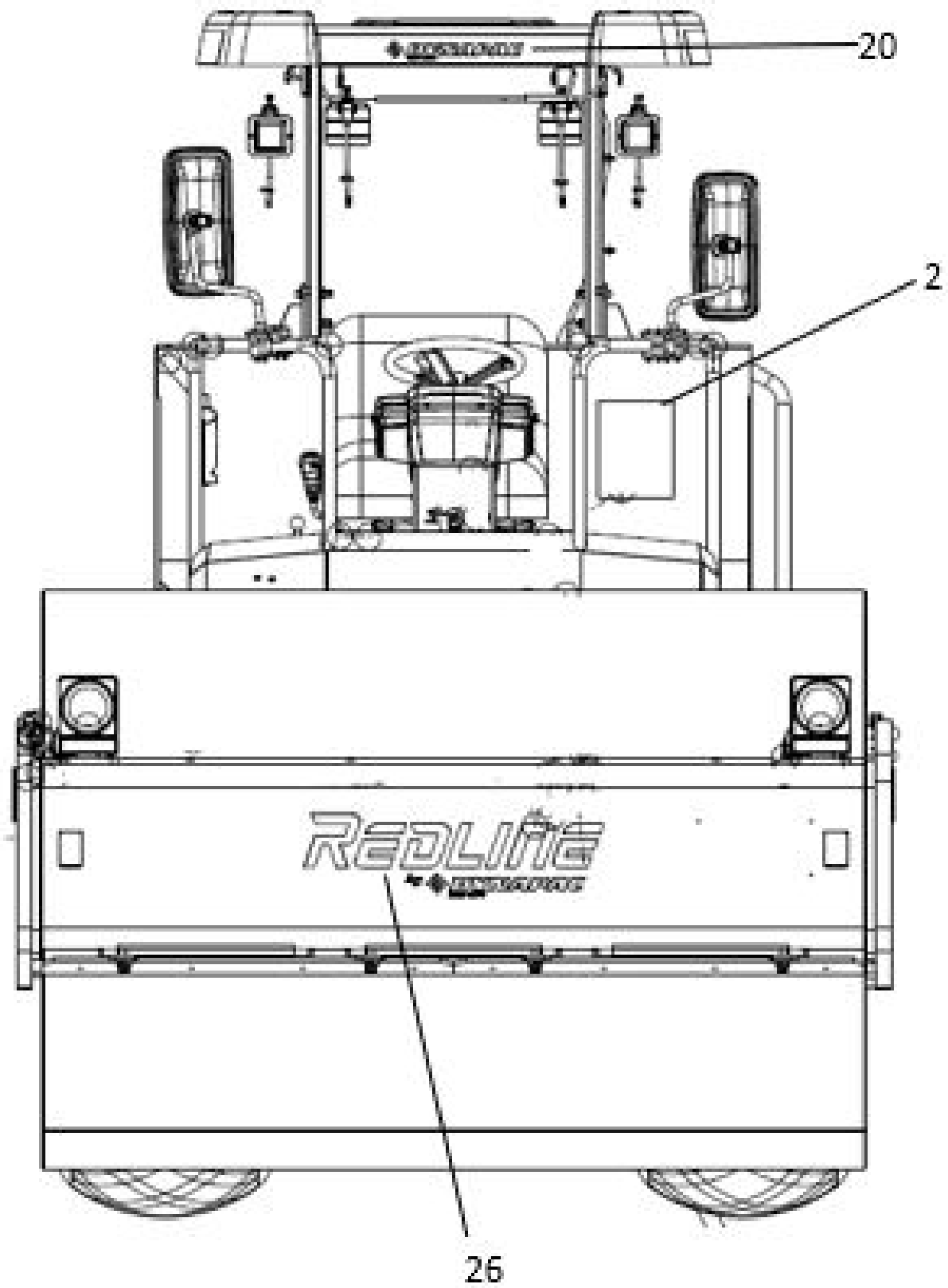
This page intentionally left blank



Refer to Parts Online for the most up to date information. The printed information might be outdated.

Mon Jun 17 09:44:55 UTC 2024

This page intentionally left blank



Refer to Parts Online for the most up to date information. The printed information might be outdated.

Mon Jun 17 09:44:55 UTC 2024

Item	Part No.	Name	Qty	L
1	4812125363	Safety decal "Locking during transport"	1	
2	4812331148	Maintenance decal	1	
3	4700903422	Safety decal "HAZARDOUS AREA"	2	
4	4812105248	Decal fnr	1	
5	4812107244	SPEED DECAL	1	
6	4700903425	Decal "safety manual"	1	
7	4700903459	Decal safety. Read	1	
8	4700390900	Decal tyre pressure	2	
9	4700903985	Decal Tyre in ballast	5	
10	4700588176	Decal lift point	2	
11	4700382751	Decal tie down point	4	
12	4700908229	Safety decal	2	
13	4812103976	GREASE DECAL	3	
14	4700991658	Decal fuel, Diesel	1	
17	4812333237	Model code decal	2	
18	4700904835	Decal Battery power disconnect	1	
19	4700791642	Safety decal	1	
20	4812127714	Decal DYNAPAC FAYAT 350WH	3	
22	4700903423	Safety decal	2	
23	4700903424	Safety decal "Hot surface"	2	
24	4700272372	Decal hydraulic oil	1	
25	4700272373	Decal hydraulic oil	1	
26	4812333236	DRS120 Front decal	2	
27	4812333235	DRS120 Left side decal	1	
28	4812333234	DRS120 Right side decal	1	

Standard equipment Standard equipment

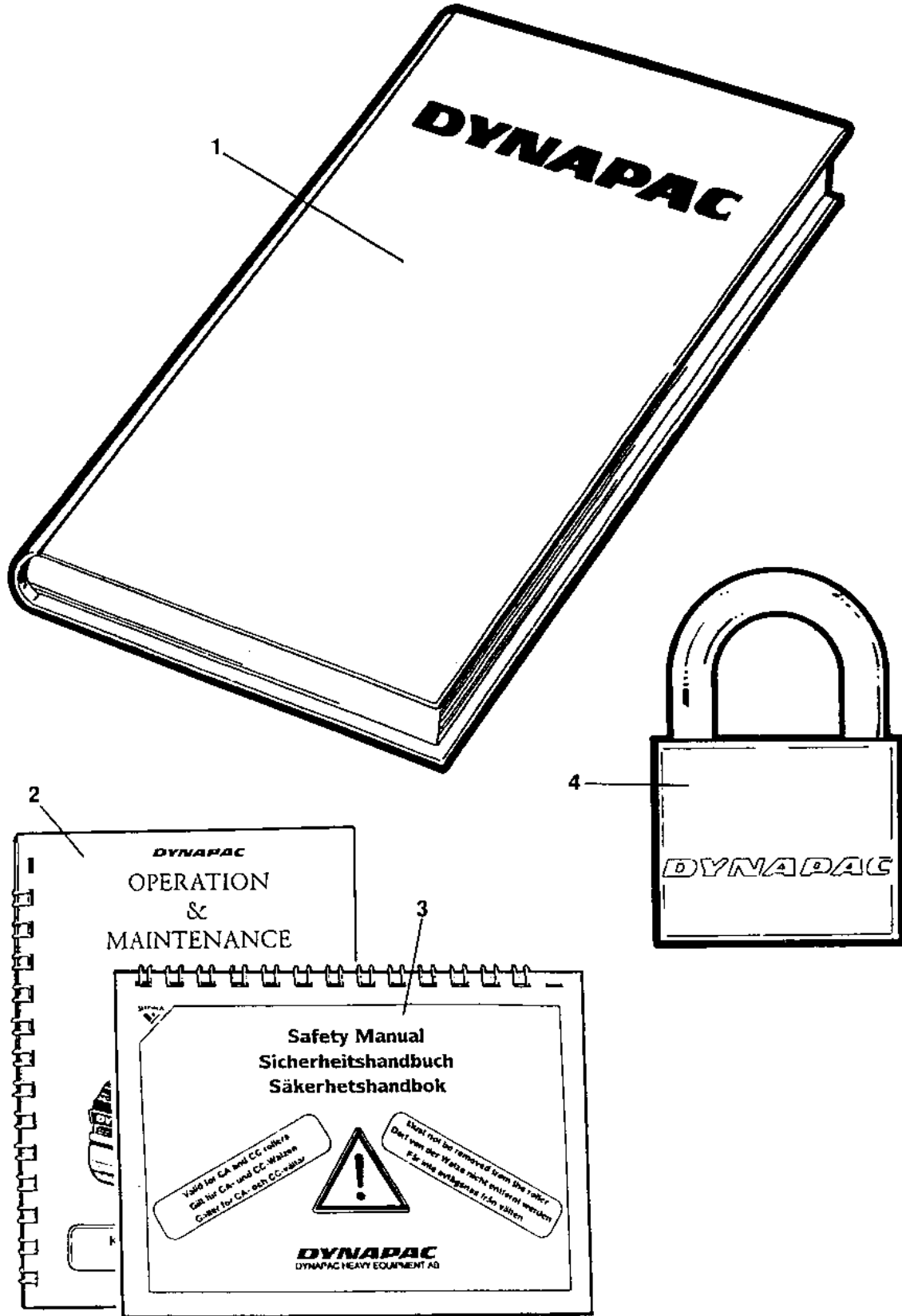
**NO DRAWING
AVAILABLE
FOR THIS BOM**

Item	Part No.	Name	Qty	L
100	-	Tool kit		

Refer to Parts Online for the most up to date information. The printed information might be outdated.

Mon Jun 17 09:44:56 UTC 2024

Standard equipment Standard equipment



Refer to Parts Online for the most up to date information. The printed information might be outdated.

Mon Jun 17 09:44:56 UTC 2024

Item	Part No.	Name	Qty	L
1	-	Documentation	1	
1	-	Maintenance instruction M-10242	1	
1	-	Spare parts catalogue	1	
1	-	Operation / maintenance instruction ICA250-IN	1	
2	-	Operation / maintenance instruction ICA250-IN	1	
3	-	Safety manual RSAFE	1	
4	4700358881	Padlock	1	

Refer to Parts Online for the most up to date information. The printed information might be outdated.

Mon Jun 17 09:44:56 UTC 2024

Tool equipment Tool equipment

Image does not exist

Item	Part No.	Name	Qty	L
1	4812109653	TOOL EQUIPMENT-CA305	1	
2	4812108465	TOOL EQUIPMENT BASIC KIT	1	
3	4812108466	TOOL BAG	1	
4	4700485019	Screw driver	1	
5	4700902610	Belt pliers	1	
6	4700311016	Grease gun	1	
7	4700792137	Open end spanner 10 mm	1	
8	4700792138	Open end spanner 13 mm	1	
9	4700792139	Open end spanner 16 mm	1	
10	4700792140	Open end spanner 18 mm	1	
11	4700792141	Wrench 250 mm	1	
12	4700355891	TOOL EQUIPMENT ADDITIONAL KIT	1	
13	4700485388	Allen wrench 6MM	1	
14	4700485006	Allen wrench 8MM	1	
15	4700485104	ALLEN WRENCH 10 MM	1	
16	4700792136	ALLEN WRENCH 12 MM	1	
17	4812104660	1/2" Slide Bar 250mm long	1	
18	4812104677	Extension bar 125mm long	1	
19	4700792140	Open end spanner 18 mm	1	

Refer to Parts Online for the most up to date information. The printed information might be outdated.

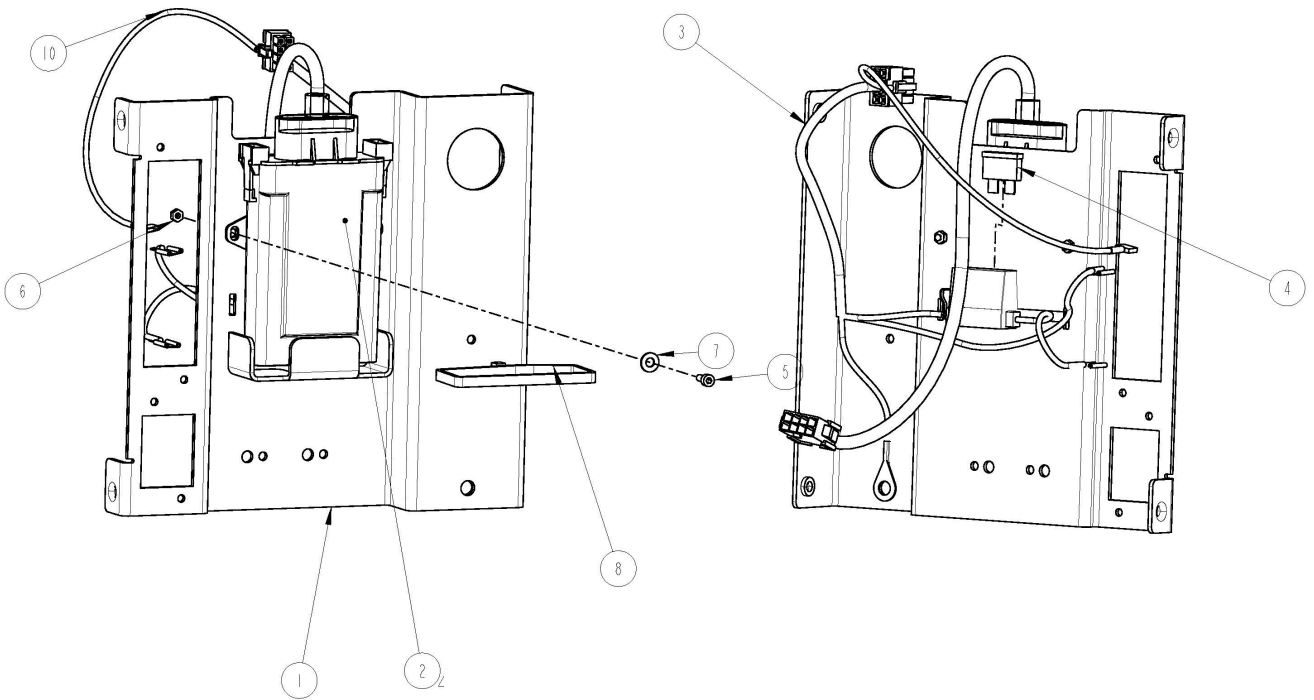
Mon Jun 17 09:44:56 UTC 2024

Optional equipment Optional equipment

**NO DRAWING
AVAILABLE
FOR THIS BOM**

Item	Part No.	Name	Qty	L
10	-	Dyn@link - for field machine	1	
20	-	Compaction meter	1	

Dyn@link- Only for field machine Field kit - Dyn@link 4812333506

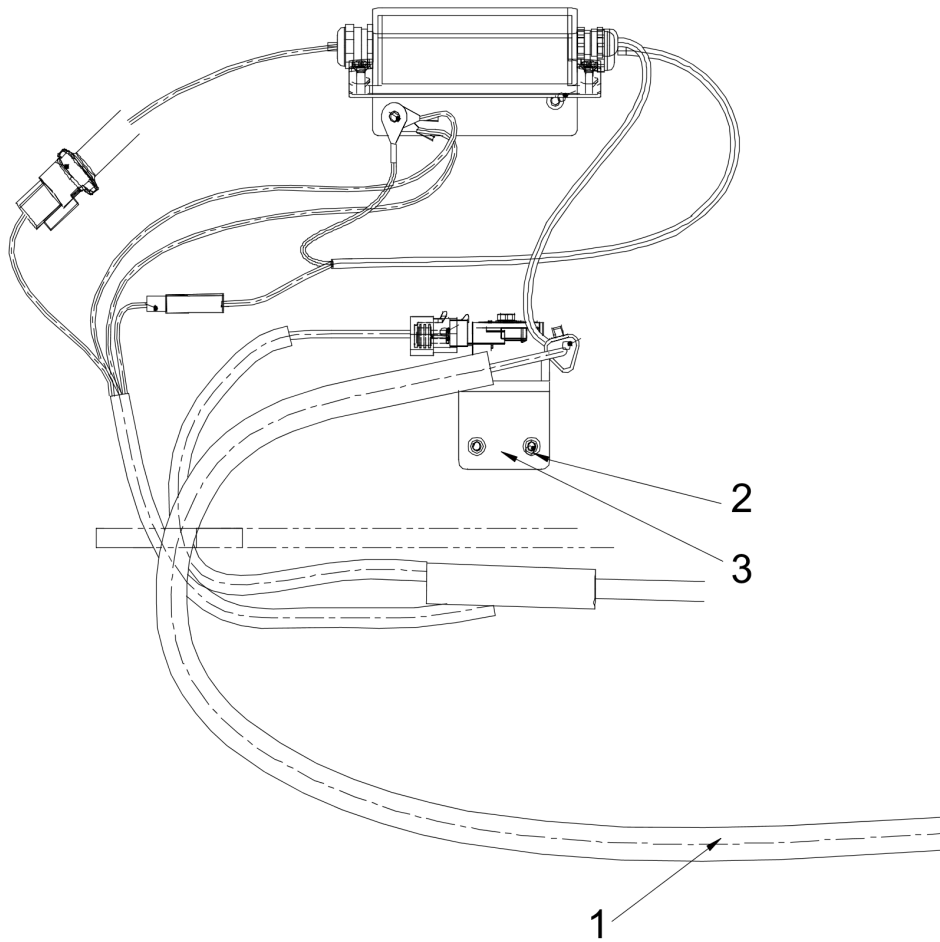


Item	Part No.	Name	Qty	L
1	4812332338	Control bracket	1	
2	4812083650	GPS Equipment	1	
3	4812108955	Wiring harness-Dyn@link	1	
4	4700901227	Fuse 10A Red	1	
5	4700901137	Hex Head screw	2	
6	4700570001	Hex. nut	2	
7	4700904698	Steel plain washer	2	
8	4700792609	Cable tie	1	
10	4812332191	Wire Ignition Dyn@link	1	
11	4812074906	Decal Dyn@link	1	

Refer to Parts Online for the most up to date information. The printed information might be outdated.

Mon Jun 17 09:44:56 UTC 2024

Compaction Meter Compaction meter



Refer to Parts Online for the most up to date information. The printed information might be outdated.

Mon Jun 17 09:44:57 UTC 2024

Item	Part No.	Name	Qty	L
0		Compaction meter mount	1	
1		Bracket	1	
2		Screw torx	2	
3	4812337454	Compaction meter kit	1	

Refer to Parts Online for the most up to date information. The printed information might be outdated.

Mon Jun 17 09:44:57 UTC 2024



www.dynapac.com

Dynapac road construction India Pvt Ltd.

Pune, India.