

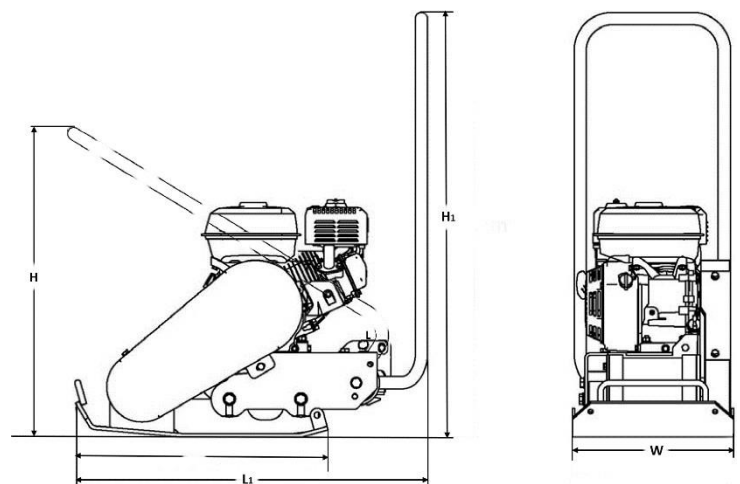
# REDLINE Forward Plates



## RV100

### Technical Data

Masses		Features	
Operating mass	104 kg	Foldable steering handle with vibration isolation	
Basic mass	97 kg	Highly wear resistance wear plate	
Traction		Allround protection for V-belt	
Maximum working speed	24 m/min	Protection frame for the power pack	
Max. Gradability	22 %	Carrying handles	
Compaction		One point lift	
Centrifugal force	19.60 kN	Punctureproof transport wheels	
Frequency	93 Hz		
Amplitude	0.95 mm		
Engine			
Manufacturer Model	Honda GX 160		
Type	Petrol		
Power	3.6 kW @ 3,600 rpm		
Dimensions			
Height (H)	621 mm		
Height (H1)	904 mm		
Length (L)	634 mm		
Length plate (L1)	864 mm		
Width plate	500 mm		



We reserve right to change specifications without notice. Photos and illustrations do not always show standard versions of machines.

The above information is a general description only, all information are supplied without liability.

